



RIPTIDE POWERDRIVE

BOW-MOUNT TROLLING MOTOR

Owner's Manual

INTRODUCTION

THANK YOU

Thank you for choosing Minn Kota. We believe that you should spend more time fishing and less time positioning your boat. That's why we build the smartest, toughest, most intuitive trolling motors on the water. Every aspect of a Minn Kota trolling motor is thought out and rethought until it's good enough to bear our name. Countless hours of research and testing provide you the Minn Kota advantage that can truly take you "Anywhere. Anytime." We don't believe in shortcuts. We are Minn Kota. And we are never done helping you catch more fish.

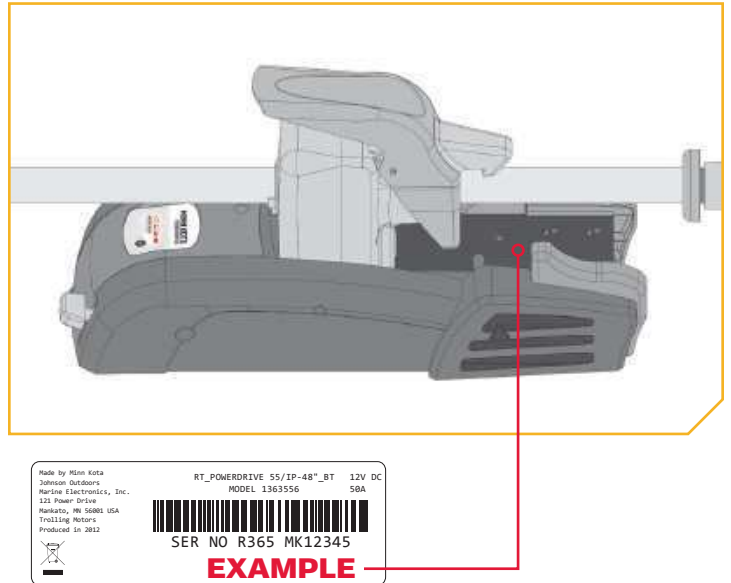
REGISTRATION

Remember to keep your receipt and immediately register your trolling motor. A registration card is included with your motor or you can complete registration on our website at minnkotamotors.com.

SERIAL NUMBER

Your Minn Kota 11-character serial number is very important. It helps to determine the specific model and year of manufacture. When contacting Consumer Service or registering your product, you will need to know your product's serial number. We recommend that you write the serial number down so that you have it available for future reference.

NOTICE: The serial number on your Riptide PowerDrive is located inside the mount below the motor rests.



MOTOR INFORMATION (For Consumer Reference Only)

Model Serial Number: _____

Controller Serial Number: _____

Purchase Date: _____

Store Where Purchased: _____

NOTICE: Do not return your Minn Kota motor to your retailer. Your retailer is not authorized to repair or replace this unit. You may obtain service by: calling Minn Kota at (800) 227-6433; returning your motor to the Minn Kota Factory Service Center; sending or taking your motor to any Minn Kota authorized service center. A list of authorized service centers is available on our website, at minnkotamotors.com. Please include proof of purchase, serial number and purchase date for warranty service with any of the above options.

TABLE OF CONTENTS

SAFETY CONSIDERATIONS	4
WARRANTY	5
KNOW YOUR BOAT	6
FEATURES	7
INSTALLATION	8
Installing the Riptide PowerDrive.....	9
BATTERY & WIRING INSTALLATION	14
Boat Rigging & Product Installation	14
Conductor Gauge and Circuit Breaker Sizing Table	14
Selecting the Correct Batteries	15
Additional Considerations.....	15
Connecting the Batteries.....	16
Connecting the Batteries in a Series.....	17
MOTOR WIRING DIAGRAM	18
USING & ADJUSTING THE MOTOR	20
Mount Features	20
Stowing and Deploying the Motor.....	21
Push-to-Test Battery Meter	21
Adjusting the Depth of the Motor	21
Adjusting the Latch Collar.....	22
Installing an External Transducer	23
Adjusting the Lower Unit for a Secure Stow	24
USING THE FOOT PEDAL	25
Controlling Speed & Steering with the Foot Pedal	25
COPILOT	27
Controlling the Motor with CoPilot.....	27
CoPilot General Operation	27
Audio Modes.....	28
Adding/Removing Remotes.....	29
To "Learn" Remotes	29
To Erase All Remotes from the Receiver	29
Replacing the Battery	30
SERVICE & MAINTENANCE	32
Propeller Replacement.....	32
General Maintenance.....	33
Troubleshooting.....	33
Troubleshooting the CoPilot.....	34
COMPLIANCE STATEMENTS	35
PARTS DIAGRAM & PARTS LIST	37

SAFETY CONSIDERATIONS

Please thoroughly read the user manual. Follow all instructions and heed all safety and cautionary notices. Use of this motor is only permitted for persons that have read and understood these user instructions. Minors may use this motor only under adult supervision.

WARNING

You are responsible for the safe and prudent operation of your vessel. We have designed your Minn Kota product to be an accurate and reliable tool that will enhance boat operation and improve your ability to catch fish. This product does not relieve you from the responsibility for safe operation of your boat. You must avoid hazards to navigation and always maintain a permanent watch so you can respond to situations as they develop. You must always be prepared to regain manual control of your boat. Learn to operate your Minn Kota product in an area free from hazards and obstacles.

WARNING

Never run the motor out of the water, as this may result in injuries from the rotating propeller. The motor should be disconnected from the power source when it is not in use or is off the water. When connecting the power-supply cables of the motor to the battery, ensure that they are not kinked or subject to chafe and route them in such a way that persons cannot trip over them. Before using the motor make sure that the insulation of the power cables is not damaged. Disregarding these safety precautions may result in electric shorts of battery(s) and/or motor. Always disconnect motor from battery(s) before cleaning or checking the propeller. Avoid submerging the complete motor as water may enter the lower unit through control head and shaft. If the motor is used while water is present in the lower unit considerable damage to the motor can occur. This damage will not be covered by warranty.

WARNING

Take care that neither you nor other persons approach the turning propeller too closely, neither with body parts nor with objects. The motor is powerful and may endanger or injure you or others. While the motor is running watch out for persons swimming and for floating objects. Persons whose ability to run the motor or whose reactions are impaired by alcohol, drugs, medication, or other substances are not permitted to use this motor. This motor is not suitable for use in strong currents. The constant noise pressure level of the motor during use is less than 70dB(A). The overall vibration level does not exceed 2,5 m/sec².

WARNING

When stowing or deploying the motor, keep fingers clear of all hinge and pivot points and all moving parts. In the event of unexpected operation, remove power leads from the battery.

WARNING

It is recommended to only use Johnson Outdoors approved accessories with your Minn Kota motor. Using non-approved accessories including to mount or control your motor may cause damage, unexpected motor operation and injury. Be sure to use the product and approved accessories, including remotes, safely and in the manner directed to avoid accidental or unexpected motor operation. Keep all factory installed parts in place including motor and accessory covers, enclosures and guards.

WARRANTY

WARRANTY ON MINN KOTA SALTWATER TROLLING MOTORS

Johnson Outdoors Marine Electronics, Inc. ("JOME") extends the following limited warranty to the original retail purchaser only. Warranty coverage is not transferable.

Minn Kota Limited Two-Year Warranty on the Entire Product

JOME warrants to the original retail purchaser only that the purchaser's new Minn Kota saltwater trolling motor will be materially free from defects in materials and workmanship appearing within two (2) years after the date of purchase. JOME will (at its option) either repair or replace, free of charge, any parts found by JOME to be defective during the term of this warranty. Such repair, or replacement shall be the sole and exclusive liability of JOME and the sole and exclusive remedy of the purchaser for breach of this warranty.

Minn Kota Limited Lifetime Warranty on Composite Shaft

JOME warrants to the original retail purchaser only that the composite shaft of the purchaser's Minn Kota trolling motor will be materially free from defects in materials and workmanship appearing within the original purchaser's lifetime. JOME will provide a new composite shaft, free of charge, to replace any composite shaft found by JOME to be defective during the term of this warranty. Providing a new composite shaft shall be the sole and exclusive liability of JOME and the sole and exclusive remedy of the purchaser for breach of this warranty; **and purchaser shall be responsible for installing, or for the cost of labor to install, any new composite shaft provided by JOME.**

Exclusions & Limitations

This limited warranty does not apply to products that have been used commercially or for rental purposes. This limited warranty does not cover normal wear and tear, blemishes that do not affect the operation of the product, or damage caused by accidents, abuse, alteration, modification, shipping damages, negligence of the user or misuse, improper or insufficient care or maintenance. **DAMAGE CAUSED BY THE USE OF OTHER REPLACEMENT PARTS NOT MEETING THE DESIGN SPECIFICATIONS OF THE ORIGINAL PARTS WILL NOT BE COVERED BY THIS LIMITED WARRANTY.** The cost of normal maintenance or replacement parts which are not in breach of the limited warranty are the responsibility of the purchaser. Prior to using products, the purchaser shall determine the suitability of the products for the intended use and assumes all related risk and liability. Any assistance JOME provides to or procures for the purchaser outside the terms, limitations or exclusions of this limited warranty will not constitute a waiver of the terms, limitations or exclusions, nor will such assistance extend or revive the warranty. JOME will not reimburse the purchaser for any expenses incurred by the purchaser in repairing, correcting or replacing any defective products or parts, except those incurred with JOME's prior written permission. **JOME'S AGGREGATE LIABILITY WITH RESPECT TO COVERED PRODUCTS IS LIMITED TO AN AMOUNT EQUAL TO THE PURCHASER'S ORIGINAL PURCHASE PRICE PAID FOR SUCH PRODUCT.**

Minn Kota Service Information

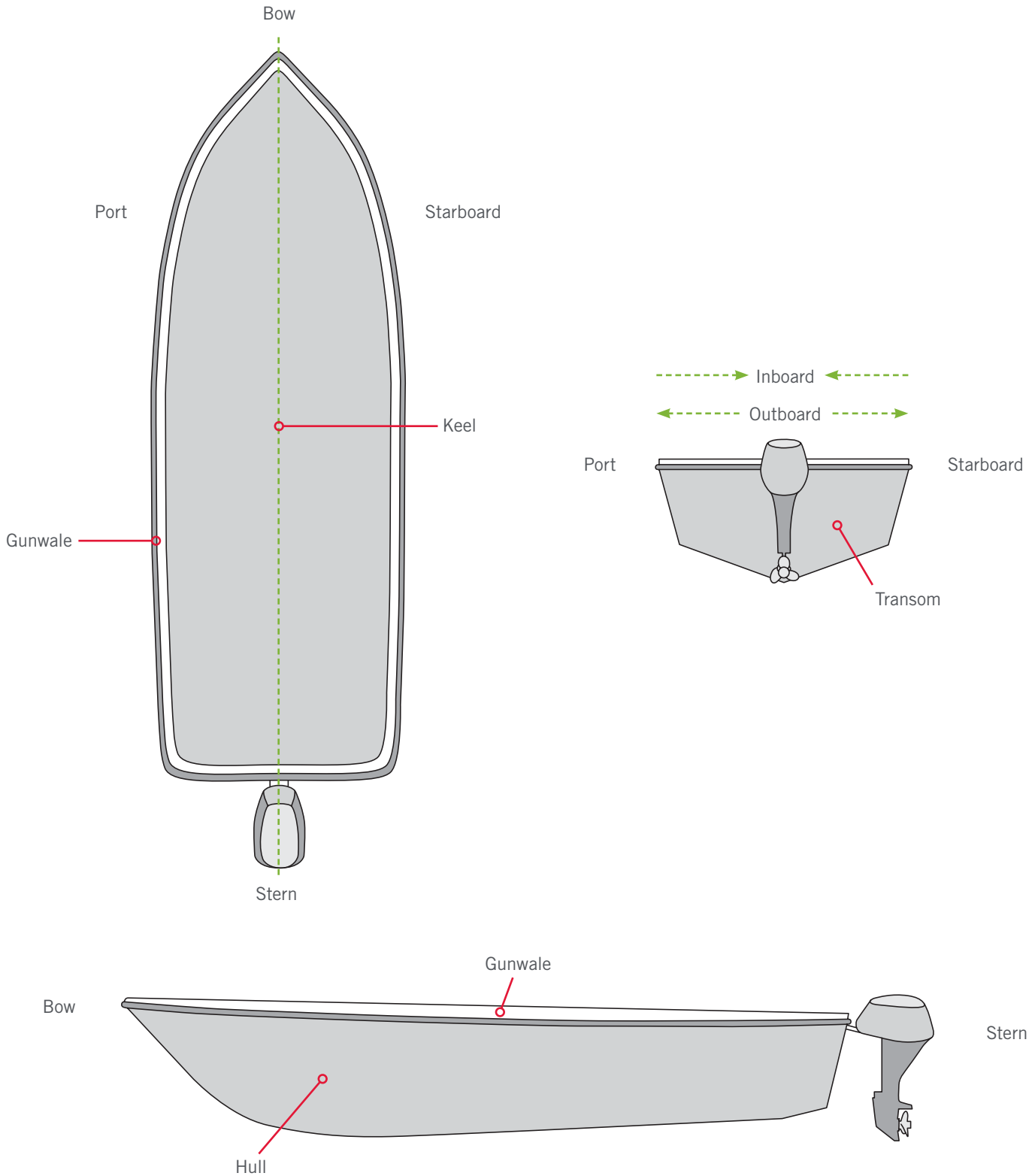
To obtain warranty service in the U.S., the product believed to be defective, and proof of original purchase (including the date of purchase), must be presented to a Minn Kota Authorized Service Center or to Minn Kota's factory service center in Mankato, MN. Any charges incurred for service calls, transportation or shipping/freight to/from the Minn Kota Authorized Service Center or factory, labor to haul out, remove, re-install or re-rig products removed for warranty service, or any other similar items are the sole and exclusive responsibility of the purchaser. Products purchased outside of the U.S. must be returned prepaid with proof of purchase (including the date of purchase and serial number) to any Authorized Minn Kota Service Center in the country of purchase. Warranty service can be arranged by contacting a Minn Kota Authorized Service Center or by contacting the factory at 1-800-227-6433 or email service@minnkotamotors.com. **Products repaired or replaced will be warranted for the remainder of the original warranty period [or for 90 days from the date of repair or replacement, whichever is longer]. For any product that is returned for warranty service that JOME finds to be not covered by or not in breach of this limited warranty, there will be a billing for services rendered at the prevailing posted labor rate and for a minimum of at least one hour.**

NOTICE: Do not return your Minn Kota product to your retailer. Your retailer is not authorized to repair or replace products.

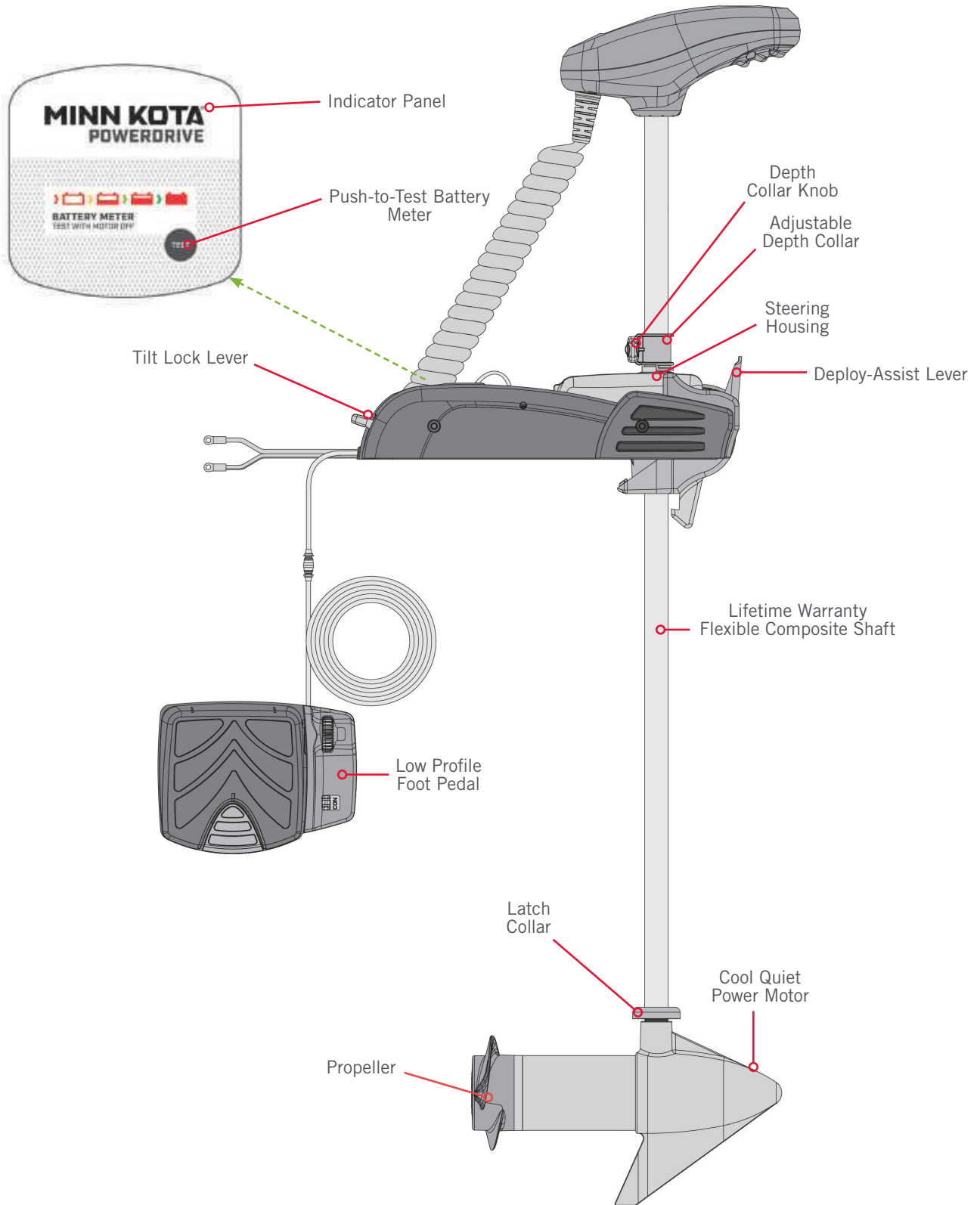
NOTICE: THERE ARE NO EXPRESS WARRANTIES OTHER THAN THESE LIMITED WARRANTIES. IN NO EVENT SHALL ANY IMPLIED WARRANTIES INCLUDING ANY IMPLIED WARRANTIES OF MERCHANTABILITY OR FITNESS FOR PARTICULAR PURPOSE, EXTEND BEYOND THE DURATION OF THE RELEVANT EXPRESS LIMITED WARRANTY. IN NO EVENT SHALL JOME BE LIABLE FOR PUNITIVE, INDIRECT, INCIDENTAL, CONSEQUENTIAL OR SPECIAL DAMAGES. Without limiting the foregoing, JOME assumes no responsibility for loss of use of product, loss of time, inconvenience or other damage.

Some states do not allow limitations on how long an implied warranty lasts or the exclusion or limitation of incidental or consequential damages, so the above limitations and/or exclusions may not apply to you. This warranty gives you specific legal rights and you may also have other legal rights which vary from state to state.

KNOW YOUR BOAT



FEATURES



NOTICE: Specifications subject to change without notice. This diagram is for reference only and may differ from your actual motor.

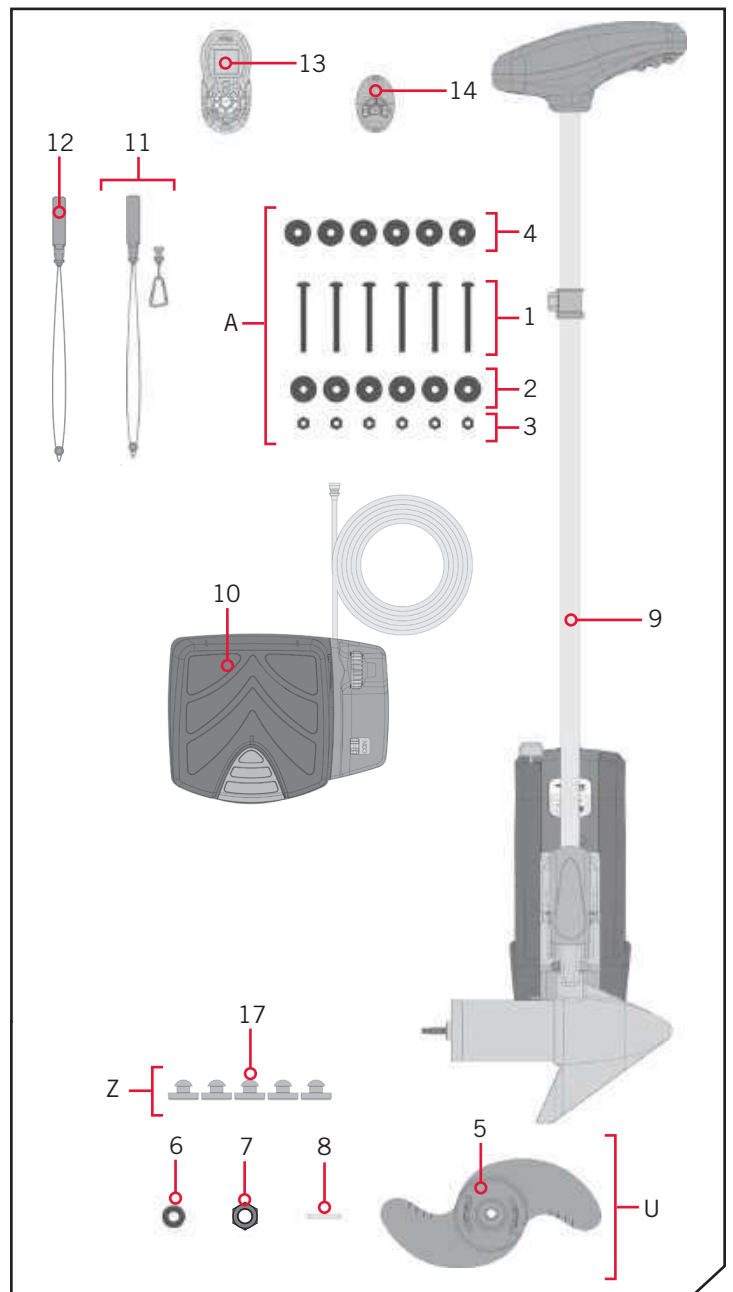
INSTALLATION

INSTALLING THE RIPTIDE POWERDRIVE

Your new Riptide PowerDrive comes with everything you'll need to directly install it to the boat. This motor can be directly mounted to the boat or coupled with a Minn Kota quick release bracket for ease of mounting and removal. For installation with a quick release bracket, refer to the installation instructions provided with the bracket. For compatible quick release mounting brackets and to locate your nearest dealer, visit minnkotamotors.com. To install the motor directly to the boat, please follow the instructions provided in this manual. Please review the parts list, mounting considerations and tools needed for installation prior to getting started. For additional product support, please visit minnkotamotors.com.

INSTALLATION PARTS LIST

Item / Assembly	Part #	Description	Qty.
A	2994864	BAG ASSEMBLY - (BOLT, NUT, WASHERS)	1
1	2263462	BOLT-MOUNTING-1/4X2 W/STG	6
2	2261713	WASHER-1/4	6
3	2263103	NUT NYLOK 1/4-20 MTG	6
4	2301720	WASHER-MOUNTING RUBBER	6
U	1378131	PROP IND 2091160 (WDLS WDGII)	1
5	2091160	PROP-WW2 (3 5/8") REAMED	1
6	2151726	WASHER-5/16 SS	1
7	2053101	NUT-PROP,NYLOC (MED) 5/16 SS	1
8	2092600	PIN-DRIVE 1.06" LG SS	1
9	✳	MOTOR ASSEMBLY	1
10	2994728	FOOT PEDAL ASSEMBLY, PD	1
11	2390800 ◆	LANYARD, REMOTE W/ CARABINER	1
12	2390801 ●	LANYARD, REMOTE *COPILOT*	1
13	2994075 ◆	REMOTE ASY, IPILOT	1
14	2994020 ●	TRANSMTR, ASY, PD/AP COPLT	1
▲	2397106	MANUAL, QUICK REF., iPILOT 1.6	1
▲	2317123	MANUAL-INSTALL GUIDE, POWERDRIVE	1
Z	2994859	BAG ASY-TERROVA/V2,RUB.BUMPERS	1
17	2325110	PAD, FOOT PEDAL PD	5



▲ Not shown on Parts Diagram.

✳ This part is included in an assembly and cannot be ordered individually.

◆ Only available with models factory installed with i-Pilot or i-Pilot Link.

● Only available with models factory installed with CoPilot.

INSTALLING THE RIPTIDE POWERDRIVE

MOUNTING CONSIDERATIONS

It is recommended that the motor be mounted as close to the centerline of the boat as possible. Make sure the area under the mounting location is clear to drill holes and install nuts and washers. Make sure the motor rest is positioned far enough beyond the edge of the boat. The motor must not encounter any obstructions as it is lowered into the water or raised into the boat when stowed and deployed. Consider a quick release or adapter bracket with the installation of your motor. To view a list of accessories, please visit minnkotamotors.com.



View accessories available for your trolling motor at minnkotamotors.com.

TOOLS AND RESOURCES REQUIRED

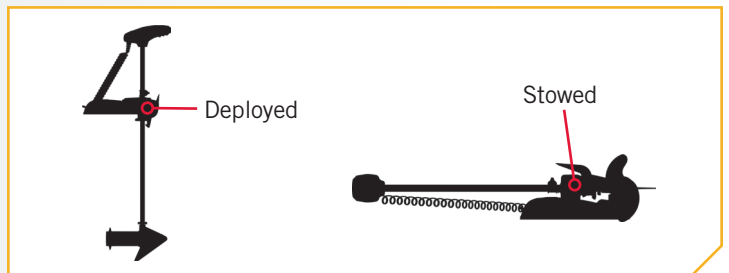
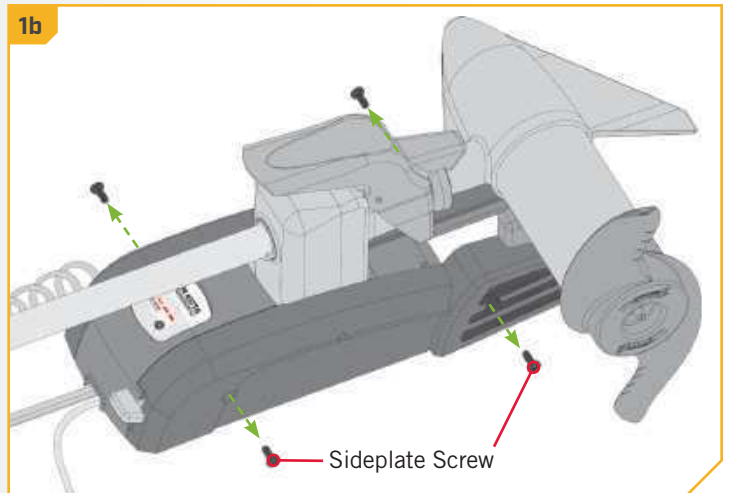
- #3 and #2 Phillips Screw Driver
- 9/32" Drill Bit
- A second person to help with the installation
- Drill
- 7/16" Box End Wrench

INSTALLATION

INSTALLING THE RIPTIDE POWERDRIVE

1. a. Place the mount on an elevated, level surface such as a workbench or the tailgate of a pickup. The motor, as removed from the box, should be in the stowed position.
b. Remove the four sideplate screws using a #3 or #2 Phillips screwdriver. Two of these screws will be located on each side of the mount.

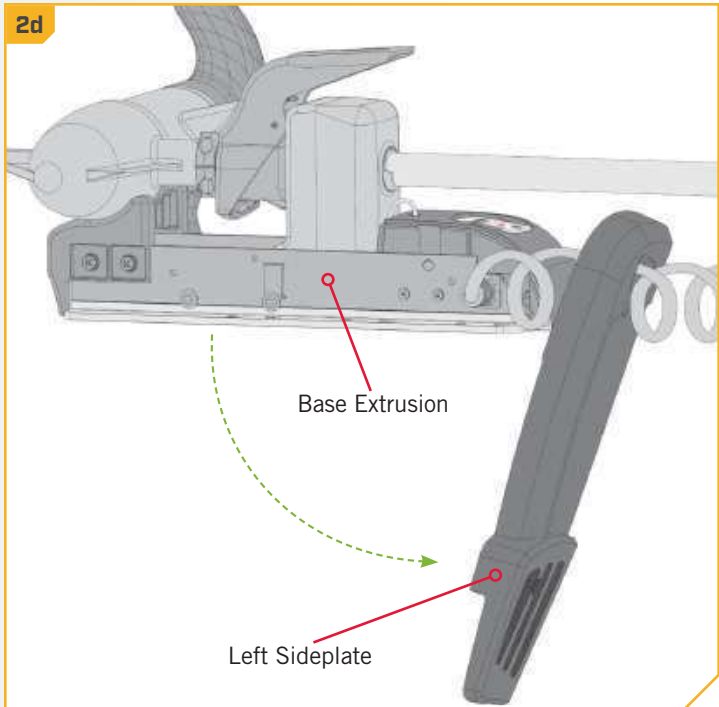
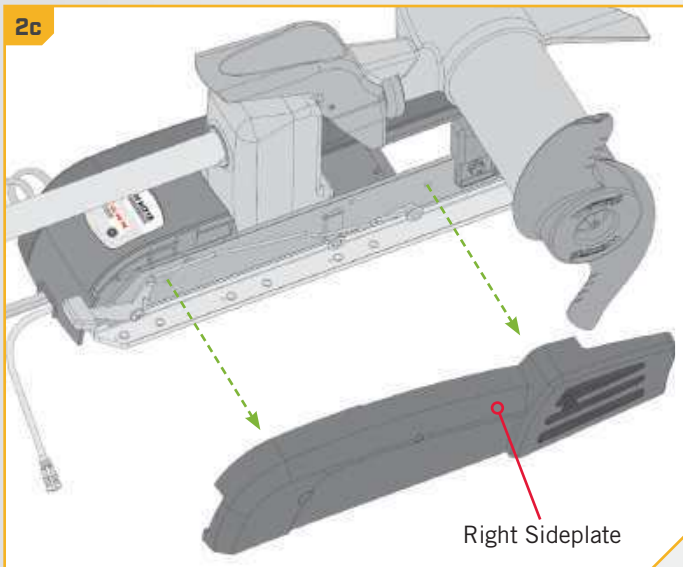
NOTICE: This motor weighs approximately 30 lbs. We recommend having a second person help with the installation.



INSTALLING THE RIPTIDE POWERDRIVE

2

- c. Remove the Right Sideplate.
- d. Swing the Left Sideplate out and away from the Base Extrusion.

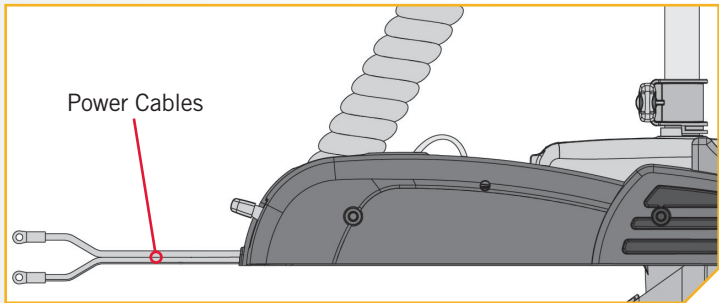


3

- e. Make sure that the Power Cables from the battery are disconnected, or that the breaker, if equipped, is "off".

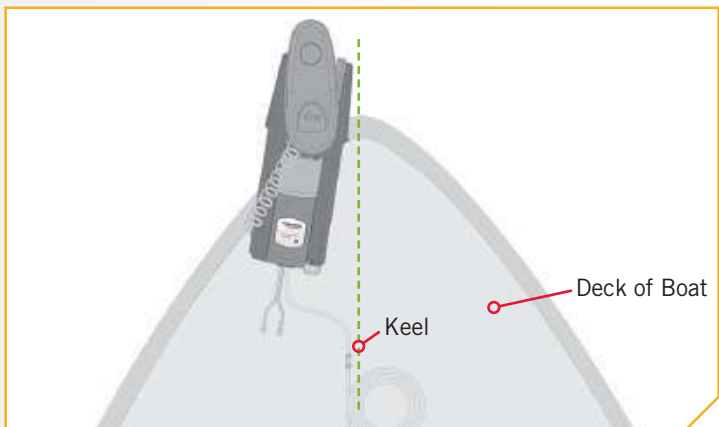
⚠ WARNING

Make sure the motor is mounted on a level surface and is not connected to a power source.



4

- f. Place the mount as close to the centerline or keel of the boat as possible. The motor can be installed on either the Port or Starboard side of the boat based on personal preference. Check placement with the motor in the stowed and deployed positions. Review the mounting considerations at the beginning of the installation.



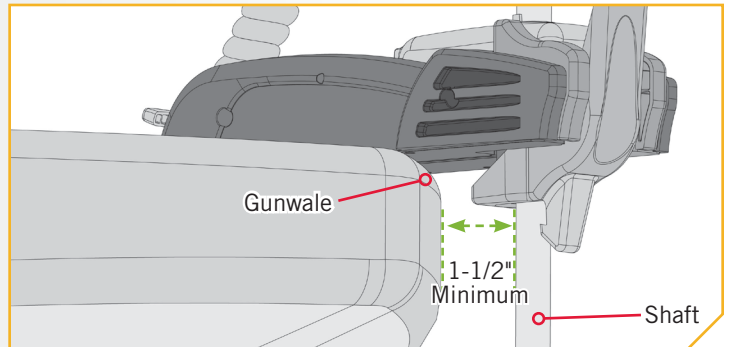
INSTALLING THE RIPTIDE POWERDRIVE

5

ITEM(S) NEEDED

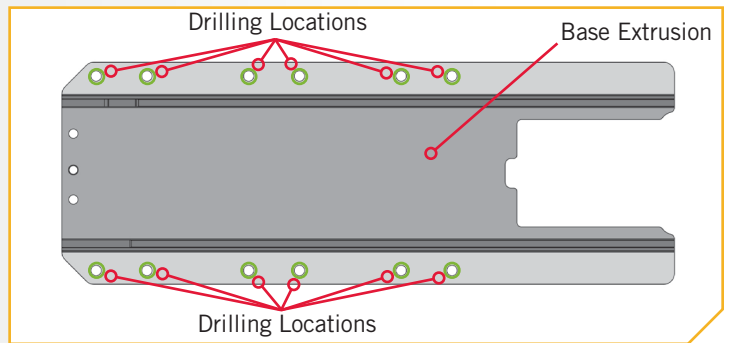
⊙ #4 x 6

- g. When the motor is in the deployed position, make sure that the Shaft is 1-1/2" out past the Gunwale of the boat. The lower unit, when stowed and deployed must not encounter any obstructions.
- h. Check to be sure that the mount is level. Use the Rubber Washers provided to create a level surface if necessary.



6

- i. It is recommended to mark at least 6 of the 12 holes in the Base Extrusion and to have a minimum of two bolts on each side that are located the farthest apart. Ideal installation would allow for 6 bolts to be used, with a minimum of 4.
- j. Drill through the deck of the boat using a 9/32" Drill Bit on the marked locations.



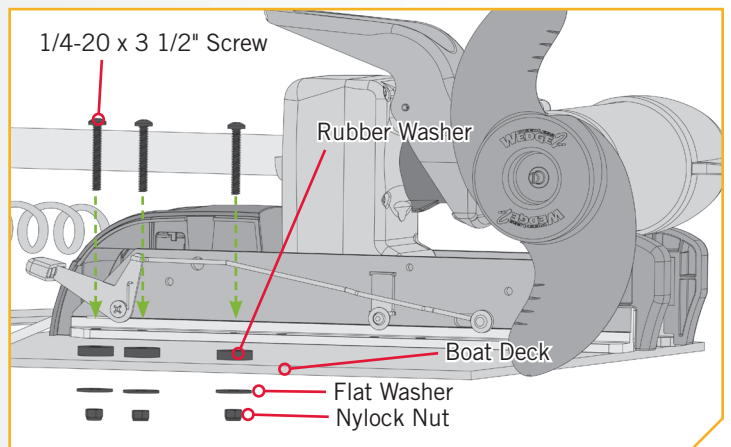
7

ITEM(S) NEEDED

⊙ #4 x 6

⌄ #1 x 6

- k. Put a 1/4-20 x 3-1/2" (Item #1) screw in each of the drilled locations. The screw should pass through the Base Extrusion and the boat deck. If the rubber washers (Item #4) are used, they should sit between the Base Extrusion and boat deck. Make sure to secure the motor with screws on each side of the Base Extrusion.



INSTALLING THE RIPTIDE POWERDRIVE

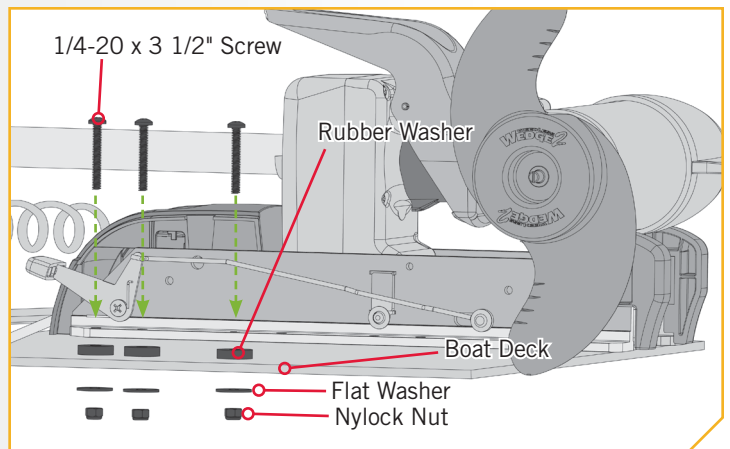
8

ITEM(S) NEEDED

- #2 x 6
- #3 x 6

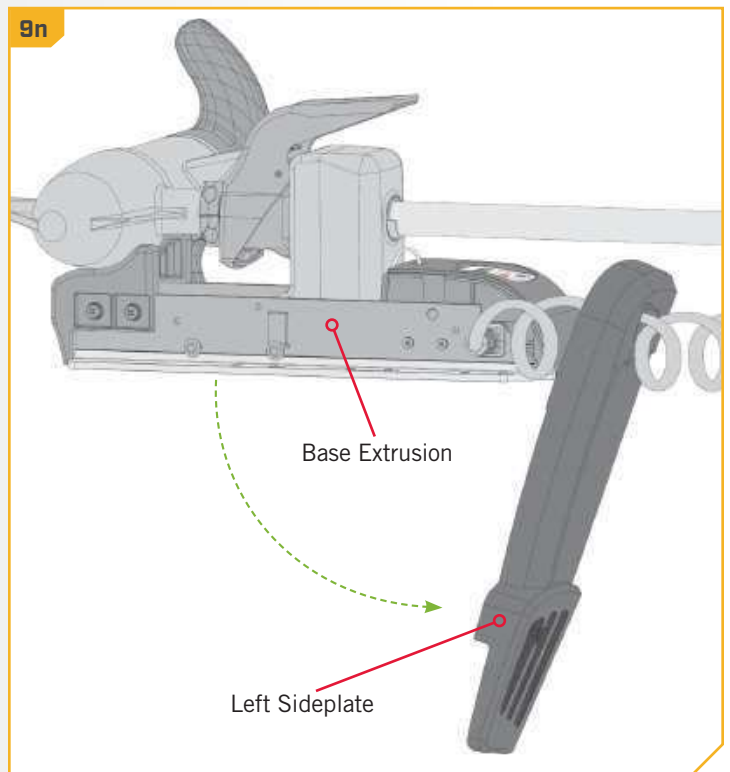
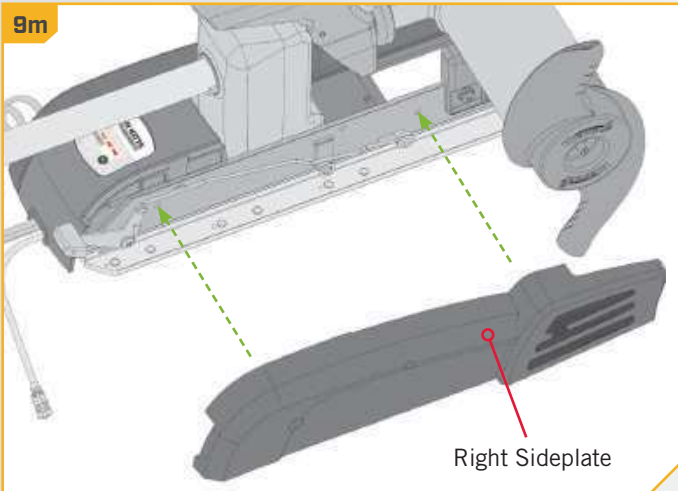
- I. Place a Flat Washer (Item #2) and then a Nylock Nut (Item #3) at the end of each screw as shown and secure. Make sure all hardware is secure.

NOTICE: To prevent seizing of the stainless steel hardware, do not use high speed installation tools. Wetting the screws or applying an anti-seize may help prevent seizing.



9

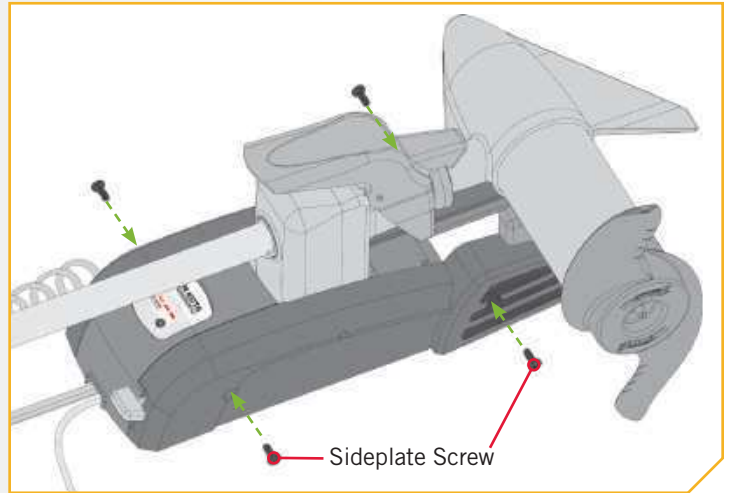
- m. Replace the Right Sideplate.
- n. Swing the Left Sideplate back into its correct position on the Base Extrusion.



INSTALLING THE RIPTIDE POWERDRIVE

10

- o. Replace the four sideplate screws using a #3 or #2 Phillips screwdriver. Two of these screws will be located on each side of the mount.



11

ITEM(S) NEEDED



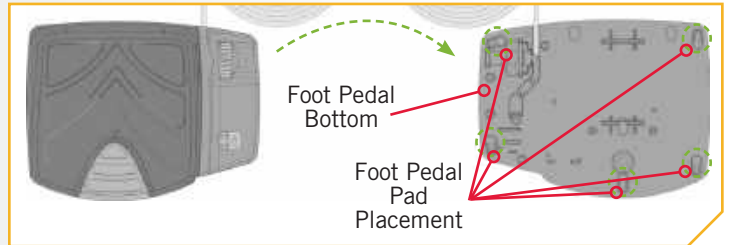
#17 x 5



#10 x 1

- p. Take the Foot Pedal (Item #10) and turn it over. Put a Foot Pedal Pad (Item #17) in each of the pad locations.

NOTICE: The pads are recommended when using the Foot Pedal on non-carpeted surfaces.



BATTERY & WIRING INSTALLATION

BOAT RIGGING & PRODUCT INSTALLATION

For safety and compliance reasons, we recommend that you follow American Boat and Yacht Council (ABYC) standards when rigging your boat. Altering boat wiring should be completed by a qualified marine technician. The following specifications are for general guidelines only:

CAUTION

These guidelines apply to general rigging to support your Minn Kota motor. Powering multiple motors or additional electrical devices from the same power circuit may impact the recommended conductor gauge and circuit breaker size. If you are using wire longer than that provided with your unit, follow the conductor gauge and circuit breaker sizing table below. If your wire extension length is more than 25 feet, we recommend that you contact a qualified marine technician.

CAUTION

An over-current protection device (circuit breaker or fuse) must be used. Coast Guard requirements dictate that each ungrounded current-carrying conductor must be protected by a manually reset, trip-free circuit breaker or fuse. The type (voltage and current rating) of the fuse or circuit breaker must be sized accordingly to the trolling motor used. The table below gives recommended guidelines for circuit breaker sizing.

CONDUCTOR GAUGE AND CIRCUIT BREAKER SIZING TABLE

This conductor and circuit breaker sizing table is only valid for the following assumptions:

1. No more than 2 conductors are bundled together inside of a sheath or conduit outside of engine spaces.
2. Each conductor has 105° C temp rated insulation.
3. No more than 5% voltage drop allowed at full motor power based on published product power requirements.

Motor Thrust / Model	Max Amp Draw	Circuit Breaker	Wire Extension Length				
			5 feet	10 feet	15 feet	20 feet	25 feet
30 lb.	30	50 Amp @ 12 VDC	10 AWG	10 AWG	8 AWG	6 AWG	4 AWG
40 lb., 45 lb.	42		10 AWG	8 AWG	6 AWG	4 AWG	4 AWG
50 lb., 55 lb.	50	60 Amp @ 12 VDC	8 AWG	6 AWG	4 AWG	4 AWG	2 AWG
70 lb.	42	50 Amp @ 24 VDC	10 AWG	10 AWG	8 AWG	8 AWG	6 AWG
80 lb.	56	60 Amp @ 24 VDC	8 AWG	8 AWG	8 AWG	6 AWG	6 AWG
101 lb.	46	50 Amp @ 36 VDC	8 AWG	8 AWG	8 AWG	8 AWG	8 AWG
Engine Mount 101	50	60 Amp @ 36 VDC	8 AWG	8 AWG	8 AWG	8 AWG	8 AWG
112 lb.	52	60 Amp @ 36 VDC	8 AWG	8 AWG	8 AWG	8 AWG	8 AWG
Engine Mount 160	116	(2) x 60 Amp @ 24 VDC	6 AWG	6 AWG	4 AWG	2 AWG	2 AWG
E-Drive	40	50 Amp @ 48 VDC	10 AWG	10 AWG	10 AWG	10 AWG	10 AWG

NOTICE: Wire Extension Length refers to the distance from the batteries to the trolling motor leads. Consult website for available thrust options. Maximum Amp Draw values only occur intermittently during select conditions and should not be used as continuous amp load ratings.

Reference

United States Code of Federal Regulations: 33 CFR 183 – Boats and Associated Equipment ABYC E-11: AC and DC Electrical Systems on Boats

SELECTING THE CORRECT BATTERIES



SELECTING THE CORRECT BATTERIES

The motor will operate with any lead acid, deep cycle marine 12 volt battery/batteries. For best results, use a deep cycle, marine battery with at least a 105 amp-hour rating. Maintain battery at full charge. Proper care will ensure having battery power when you need it, and will significantly improve the battery life. Failure to recharge lead-acid batteries (within 12-24 hours) is the leading cause of premature battery failure. Use a multi-stage charger to avoid overcharging. We offer a wide selection of chargers to fit your charging needs. If you are using a crank battery to start a gasoline outboard, we recommend that you use a separate deep cycle marine battery/batteries for your Minn Kota trolling motor. For more information on battery selection and rigging, please visit minnkotamotors.com. Minn Kota trolling motors can run on Lithium Ion batteries. However, they are specifically designed to run on traditional lead acid batteries (flooded, AMG or GEL). Lithium Ion batteries maintain higher voltages for longer periods of time than lead acid. Therefore, running a Minn Kota trolling motor at speeds higher than 85% for a prolonged period could cause permanent damage to the motor.

WARNING

Never connect the (+) and the (-) terminals of the same battery together. Take care that no metal object can fall onto the battery and short the terminals. This would immediately lead to a short and extreme fire danger.

CAUTION

Refer to “Conductor Gauge and Circuit Breaker Sizing Table” in the previous section to find the appropriate circuit breaker or fuse for your motor. For motors requiring a 60-amp breaker, the Minn Kota MKR-19 60-amp circuit breaker is recommended.

CAUTION

Please read the following information before connecting your motor to your batteries in order to avoid damaging your motor and/or voiding your warranty.

ADDITIONAL CONSIDERATIONS

› Using DC or Alternator Chargers

Your Minn Kota trolling motor may be designed with an internal bonding wire to reduce sonar interference. Most alternator charging systems do not account for this bonding wire, and connect the negative posts of the trolling motor batteries to the negative posts of the crank/starting battery. These external connections can damage connected electronics and the electrical system of your trolling motor, voiding your warranty. Review your charger’s manual carefully or consult the manufacturer prior to use to ensure your charger is compatible.

Minn Kota recommends using Minn Kota brand chargers to recharge the batteries connected to your Minn Kota trolling motor, as they have been engineered to work with motors that include a bonding wire.

› Additional Accessories Connected to Trolling Motor Batteries

Significant damage to your Minn Kota motor, your boat electronics, and your boat can occur if incorrect connections are made between your trolling motor batteries and other battery systems. Minn Kota recommends using an exclusive battery system for your trolling motor. Where possible, accessories should be connected to a separate battery system. Radios and sonar units should not be connected to any trolling motor battery systems as interference from the trolling motor is unavoidable. If connecting any additional accessories to any trolling motor battery system, or making connections between the trolling motor batteries and other battery systems on the boat, be sure to carefully observe the information below.



CONNECTING THE BATTERIES



The negative (-) connection must be connected to the negative terminal of the same battery that the trolling motor negative lead connects to. In the diagrams below this battery is labeled “Low Side” Battery. Connecting to any other trolling motor battery will input positive voltage into the “ground” of that accessory, which can cause excess corrosion. Any damage caused by incorrect connections between battery systems will not be covered under warranty.

› Automatic Jump Start Systems and Selector Switches

Automatic jump start systems and selector switches tie the negatives of the connected batteries together. Connecting these systems to the “High Side” Battery or “Middle” Battery in the diagrams below and will cause significant damage to your trolling motor and electronics. The only trolling motor battery that is safe to connect to one of these systems is the “Low Side” Battery.

NOTICE: The internal bonding wire is equipped with a 3 amp fuse. Improper connections described above carrying in excess of 3 amps will blow this fuse and no further damage will be exhibited. If this occurs, RF interference from the trolling motor affecting sonar units and other electronics will be more significant. If the fuse is blown the wiring error should be found and addressed prior to replacing the fuse. The replacement fuse should be 3 amps or less. An intact fuse does not imply correct rigging; significant damage can be done by incorrect wiring without approaching 3 amps of current.

CONNECTING THE BATTERIES

› 12 Volt Systems

1. Make sure that the motor is switched off (speed selector on “OFF” or “0”).
2. Connect positive (+) red lead to positive (+) battery terminal.
3. Connect negative (-) black lead to negative (-) battery terminal.

WARNING

For safety reasons do not switch the motor on until the propeller is in the water. If installing a leadwire plug, observe proper polarity and follow instructions in your boat owner’s manual.

WARNING

- For safety reasons, disconnect the motor from the battery or batteries when the motor is not in use or while the battery/batteries are being charged.
- Improper wiring of 24/36 volt systems could cause battery explosion.
- Keep leadwire wing nut connections tight and solid to battery terminals.
- Locate battery in a ventilated compartment.



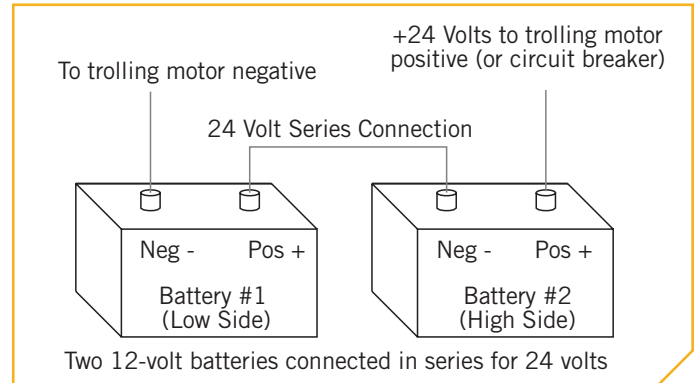
CONNECTING THE BATTERIES IN SERIES

CONNECTING THE BATTERIES IN SERIES (IF REQUIRED FOR YOUR MOTOR)

› 24 Volt Systems

Two 12 volt batteries are required. The batteries must be wired in series, only as directed in wiring diagram, to provide 24 volts.

1. Make sure that the motor is switched off (speed selector on "0").
2. Connect a connector cable to the positive (+) terminal of battery 1 and to the negative (-) terminal of battery 2.
3. Connect positive (+) red motor lead to positive (+) terminal on battery 2.
4. Connect negative (-) black motor lead to negative (-) terminal of battery 1.



WARNING

For safety reasons do not switch the motor on until the propeller is in the water. If installing a leadwire plug, observe proper polarity and follow instructions in your boat owner's manual.

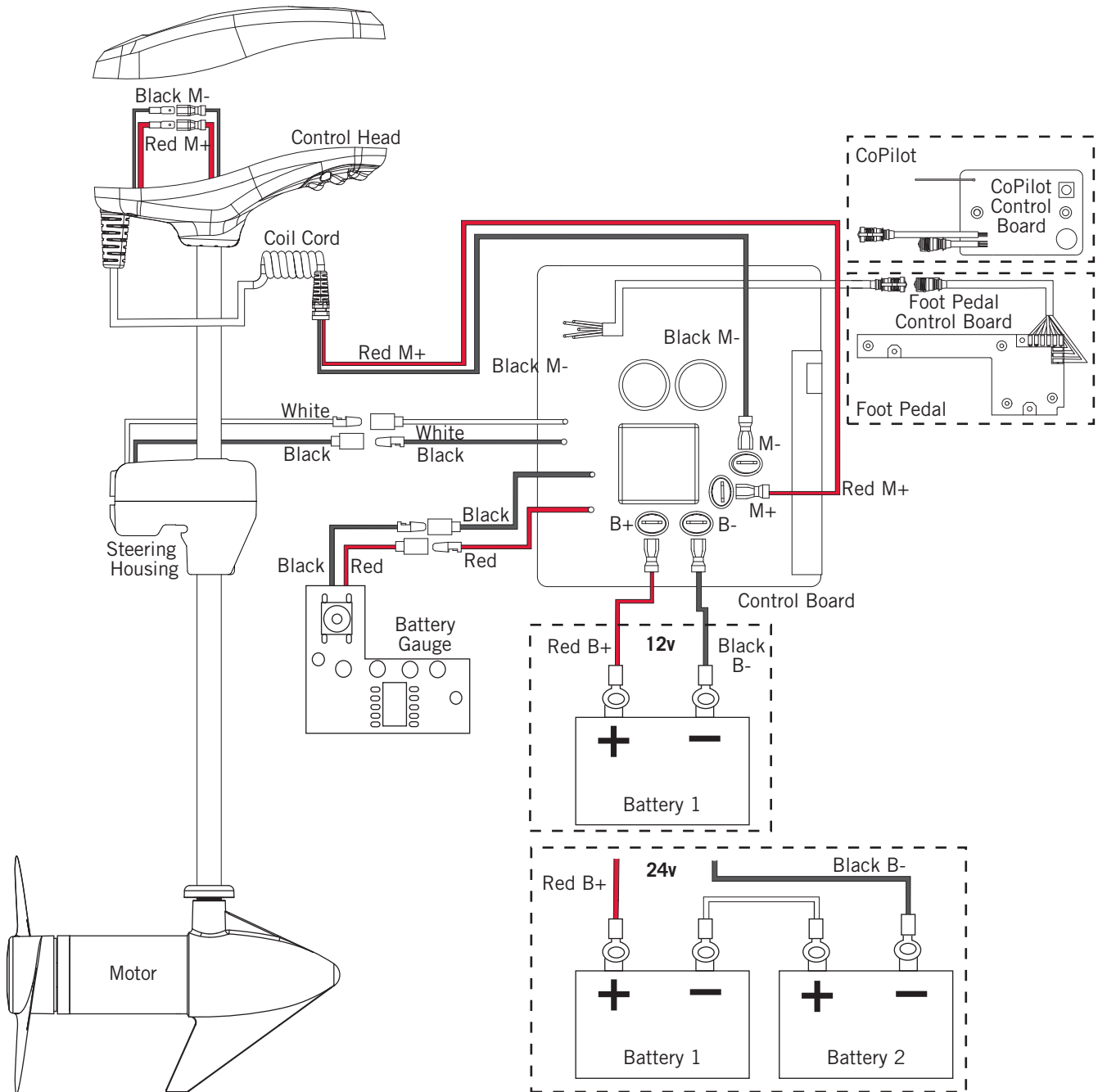
WARNING

- For safety reasons, disconnect the motor from the battery or batteries when the motor is not in use or while the battery/batteries are being charged.
- Improper wiring of 24/36 volt systems could cause battery explosion.
- Keep leadwire wing nut connections tight and solid to battery terminals.
- Locate battery in a ventilated compartment.

MOTOR WIRING DIAGRAM

RIPTIDE POWERDRIVE

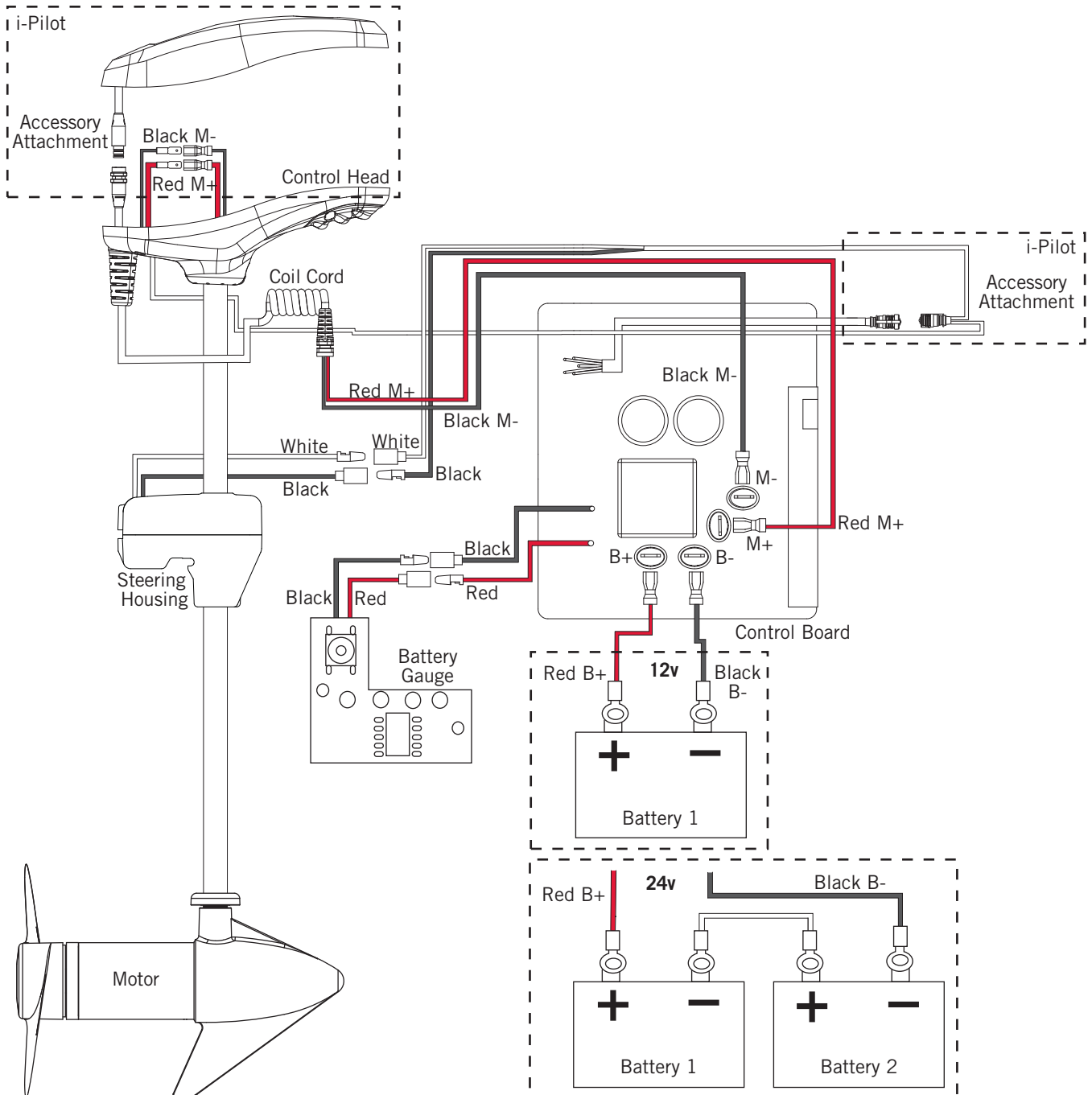
The following Motor Wiring Diagram applies to all Riptide PowerDrive models that do not come factory installed with i-Pilot. CoPilot may come factory installed, but can also be installed as an after market accessory.



NOTICE: This is a multi-voltage diagram. Double-check your motor's voltage for proper connections. Over-Current Protection Devices are not shown in this illustration.

RIPTIDE POWERDRIVE WITH i-PILOT

The following Motor Wiring Diagram applies to all PowerDrive models that come factory installed with i-Pilot.

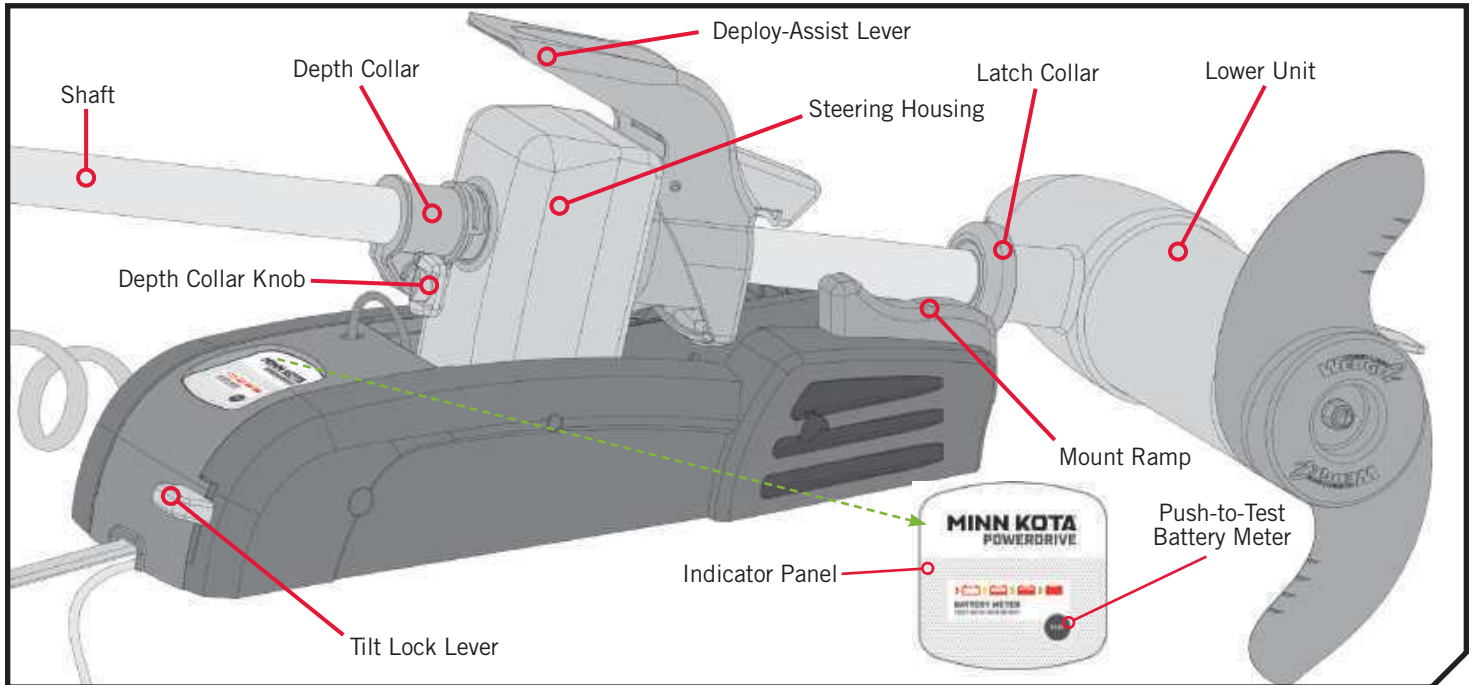


NOTICE: This is a multi-voltage diagram. Double-check your motor's voltage for proper connections. Over-Current Protection Devices are not shown in this illustration.

USING & ADJUSTING THE MOTOR

MOUNT FEATURES

Become familiar with the features of the motor to maximize the capabilities this product offers.



› Depth Collar & Depth Collar Knob

The Depth Collar is located on the Shaft above the Steering Housing. It functions to hold the motor at the proper depth while deployed. It also functions to hold the Lower Unit in place when stowed while not in use and during transport. The Depth Collar Knob is used to loosen and tighten the Depth Collar so that it can be used to slide up and down the motor shaft.

⚠ WARNING

When the motor is being transported, it is important to place the Depth Collar snug against the Steering Housing and tighten. This provides a secure stow and holds the motor in place during transportation when it is subject to high levels of shock and vibration. Failure to secure the motor may result in injury or damage to the unit.

› Deploy-Assist Lever

The Deploy-Assist Lever is located at the top of the mount when the motor is in the stowed position. The Deploy-Assist Lever functions to unlatch the motor when it is stowed and press on the Latch Collar to assist in deploying the motor. The Deploy-Assist Lever also captures the Latch Collar when the motor is stowed, holding the motor in place so it can be secured with the Depth Collar.

› Latch Collar

The Latch Collar is located on the motor shaft just above the Lower Unit. It functions to help secure the motor in place while it is stowed. When stowed the Latch Collar is captured in the Deploy-Assist Lever.

⚠ WARNING

When stowing or deploying the motor, keep fingers clear of all hinge and pivot points and all moving parts.

› Tilt Lock Lever

The Tilt Lock Lever is located at the base of the mount opposite of the Lower Unit. The Tilt Lock Lever is used to unlatch the Steering Housing from the stowed position so the motor can be tilted, pulled upwards and stowed.

ADJUSTING THE DEPTH OF THE MOTOR

› Mount Ramp

The Mount Ramp functions to hold the Lower Unit in place when the motor is stowed. The Lower Unit will rest on the Mount Ramp when stowed, helping to secure it in place.

WARNING

If a propeller encounters an obstruction while running, the increased electrical current being generated by the obstruction will signal the motor to decrease the power to the propeller to prevent damage. If the current overload is detected for more than 20 seconds, the prop will be disabled to prevent damage to the motor. In this event, the operator can turn the prop back on after being sure that the obstruction has been cleared.

STOWING AND DEPLOYING THE MOTOR

› To Deploy the Motor

Loosen the Depth Collar, then push firmly down on the Deploy-Assist Lever to release the Latch Collar and slide the motor forward, out from the Mount Ramp. Lower the motor to the desired depth. Make sure it clicks into a secure, vertical position. Once at the desired depth, slide the Depth Collar against the Steering Housing and tighten.

› To Stow the Motor

Loosen the Depth Collar and depress the Tilt Lock Lever and raise the motor by pulling up on the composite shaft or control head. Pull the motor toward the stern until it rests securely on the Mount Ramp and the Deploy-Assist Lever captures the Latch Collar. Slide the Depth Collar down and secure it against the top of the Steering Housing to secure the motor in place and prevent accidental deployment.

WARNING

When stowing or deploying the motor, keep fingers clear of all hinge and pivot points and all moving parts. Practice proper ergonomics when stowing and deploying the motor to prevent injury.

PUSH-TO-TEST BATTERY METER

This motor is equipped with a Push-to-Test Battery Meter. The LED lights are located on the Indicator Panel on the Mount of the motor. The Battery Meter provides an accurate display of the remaining charge in the battery. It is only accurate when the motor is off. The meter reads as follows:

- One light indicates recharge.
- Two lights indicate low charge.
- Three lights indicate good charge.
- Four lights indicate full charge.



MOTOR ADJUSTMENTS ›

› Adjusting the Depth of the Motor

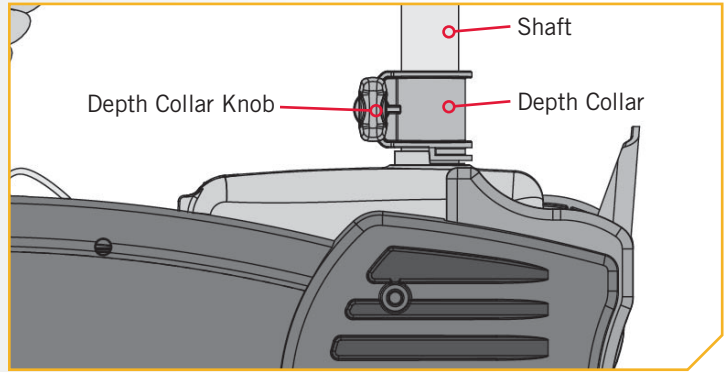
Once the boat is on the water, it may be necessary to adjust the Lower Unit up or down to achieve an optimum depth for motor performance. When setting the depth of the motor, be sure the top of the motor is submerged at least 12" below the surface of the water to avoid churning or agitation of surface water.

ADJUSTING THE LATCH COLLAR



1

- a. With the motor in the deployed position, locate the Depth Collar on the Shaft above the Steering Housing.
- b. While holding the Shaft, loosen the Depth Collar Knob until the Shaft can slide up and down freely.



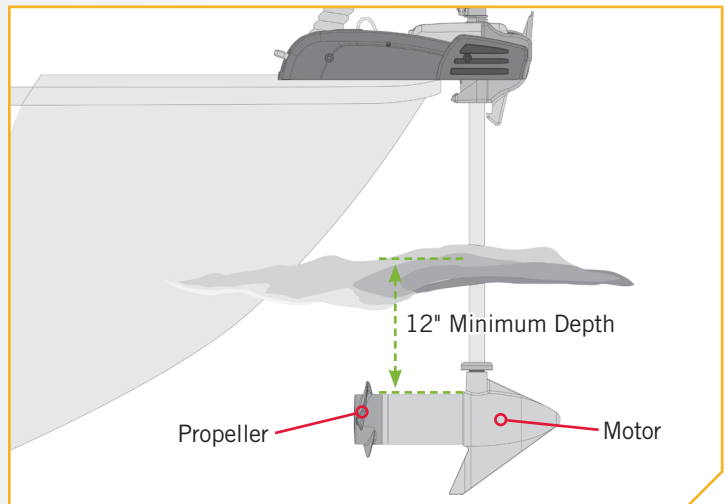
WARNING

The Control Head will create a pinch point if the Depth Collar Knob is loosened and the Control Head slides to the top of the Depth Collar. Grasp the Shaft and prevent it from sliding all the way down to prevent the pinch point.

2

- c. Raise or lower the motor to the desired depth.
- d. Turn the motor control head to the desired position.
- e. Slide the Depth Collar against the Steering Housing and tighten the Depth Collar Knob to secure the motor in place.

NOTICE: Be sure the top of the motor is submerged at least 12" below the surface of the water to avoid churning or agitation of surface water.

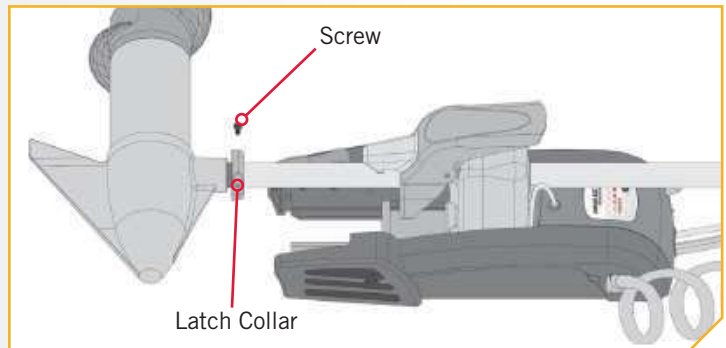


▶ Adjusting the Latch Collar

Once the motor has been used, it may be necessary to adjust the Latch Collar up or down. The ideal adjustment is a slightly loose fit that completely captures the Latch Collar in the Deploy Assist Lever when stowed.

1

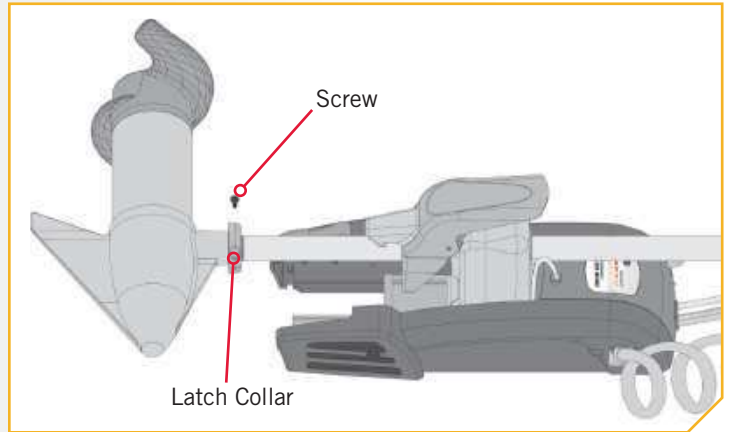
- a. With the motor in the stowed position, locate the Latch Collar.
- b. Using a #2 Phillips Screwdriver, loosen the screw securing the Latch Collar in place.



INSTALLING AN EXTERNAL TRANSDUCER

2

- c. Rotate the Latch Collar so it fits comfortably within the hold of the Deploy Assist Lever.
- d. Re-tighten the screw to secure the Latch Collar in place.



Installing an External Transducer

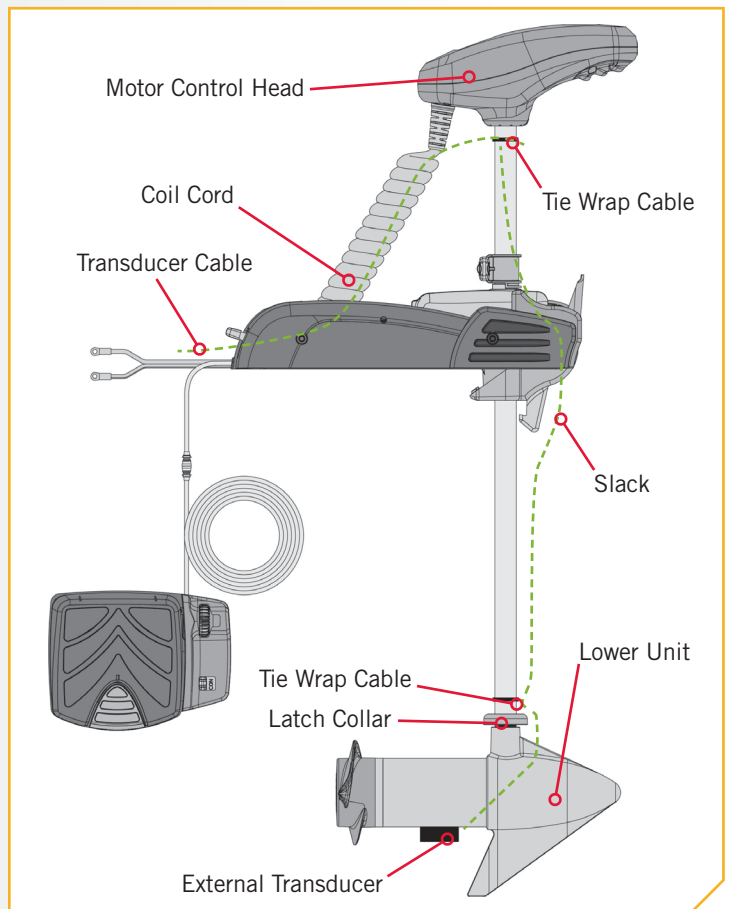
An external transducer is not included with your trolling motor. An external transducer can be installed onto the motor.

1

- a. Mount the External Transducer according to directions provided with the transducer.
- b. Leave enough slack in the Transducer Cable between the Lower Unit and Motor Control Head to allow the motor to properly stow and deploy.
- c. Use two tie wrap cables to secure the Transducer Cable to the Shaft just above the Latch Collar and just below the Motor Control Head.
- d. Run the Transducer Cable through the Coil Cord to the fish finder.

CAUTION

Not following the recommended wire routing for the External Transducer may cause damage to the product and void your product warranty. Take care to test the length and placement of cable to be sure that there is enough slack where needed and that cables are free of being entangled in moving parts. Routing the cables in any way other than directed may cause damage to the cables by being pinched or severed.



ADJUSTING THE LOWER UNIT FOR A SECURE STOW

› Adjusting the Lower Unit for a Secure Stow

When the Motor is stowed, the Lower Unit should rest on the Mount Ramp, a part of the Motor Mount. It is recommended to secure the motor using the following instructions to avoid damage to the motor and shaft from vibrations during transport.

1

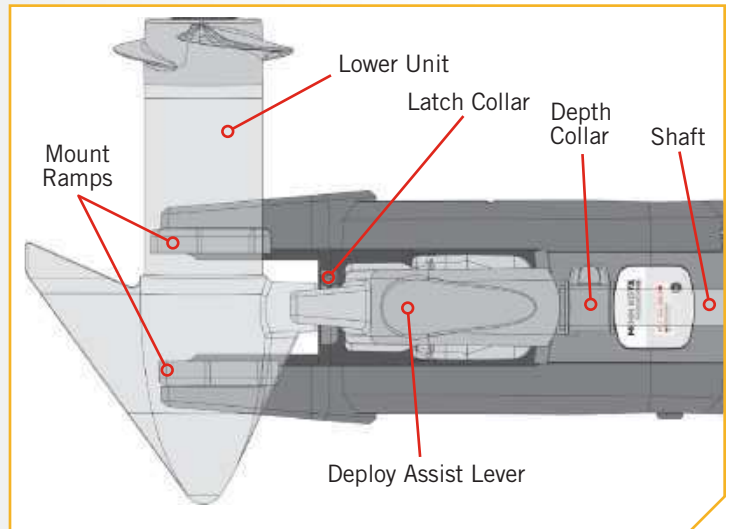
- a. Before transporting the boat over water or land, stow the motor to determine where the Lower Unit rests on the Mount Ramp.

NOTICE: The correct positioning of the Lower Unit will place it directly on the Mount Ramps.

- b. If the Lower Unit does not sit on the Mount Ramps, refer to the Adjusting the Latch Collar section of this manual. Making adjustments to the Latch Collar will help the Lower Unit stay on the Mount Ramps as it is captured by the Deploy Assist Lever.

CAUTION

The Lower Unit should be placed on the Mount Ramps every time the motor is transported. If the Lower Unit is improperly placed, either above or below the Motor Rest Area, damage to the Lower Unit or Shaft will occur and the Shaft will be incorrectly captured. Not following the recommended placement for the Lower Unit will cause damage to the product and void your product warranty.

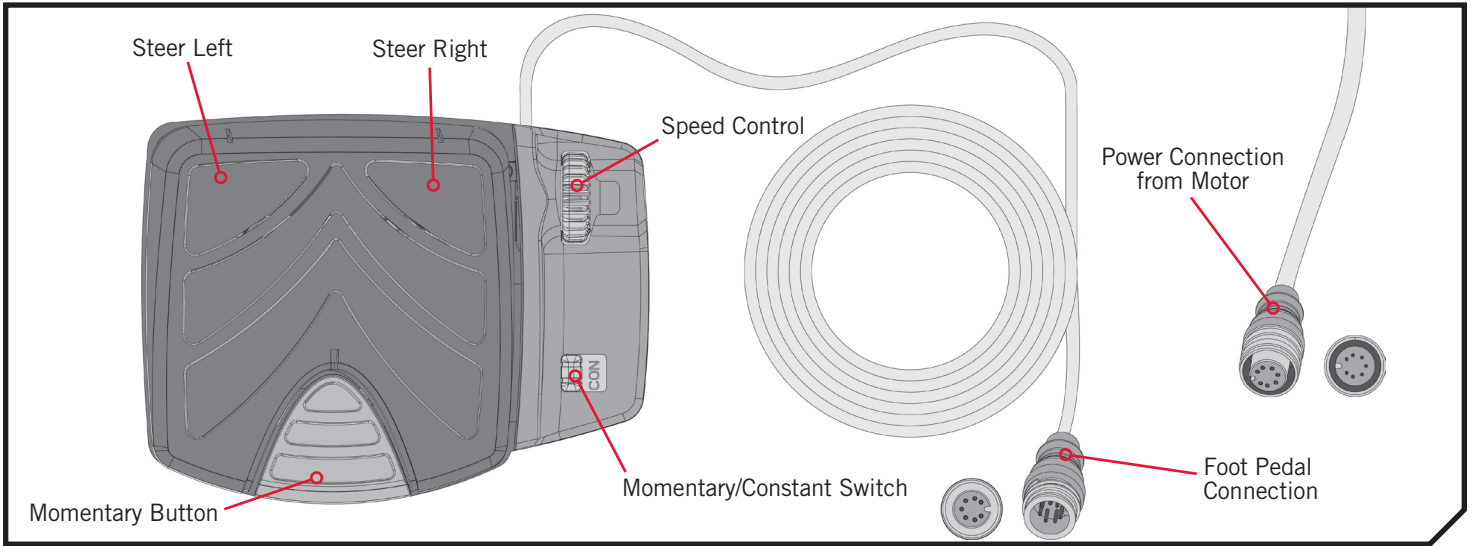


NOTICE: Slide the Depth Collar down and secure it against the top of the Steering Housing when stowed to secure the motor in place and prevent accidental deployment.

USING THE FOOT PEDAL

CONTROLLING SPEED & STEERING WITH THE FOOT PEDAL

The foot pedal is used to operate the motor, and controls on the foot pedal are easy to operate by either foot or hand. The motor can also be controlled by an i-Pilot remote, or a compatible Minn Kota remote if applicable. Please refer to the i-Pilot or compatible remote manual on how the remote controls the motor. To learn more about accessories that are compatible with the PowerDrive please visit minnkotamotors.com.



› Momentary Button

The Momentary Button is located at the heel end of the foot pedal and is used to turn the propeller on.

› Momentary/Constant Switch

The Momentary/Constant Switch is used to toggle between Momentary and Constant Mode. During Momentary Mode (MOM), the propeller only turns while pressure is applied to the Momentary Button. While in Constant Mode (CON), the propeller will run continuously regardless of pressure being applied to the Momentary Button.

If a propeller encounters an obstruction while either in Momentary or Constant Mode, while the propeller is running, the increased electrical current being generated by the obstruction will signal the motor to decrease the power to the propeller to prevent damage. If the current overload is detected for more than 20 seconds, the prop will be disabled to prevent damage to the motor. In this event, the operator can turn the prop back on after being sure that the obstruction has been cleared.

› Speed Control

The Speed Control dial is on the upper right side of the toe end of the Foot Pedal. Turn the Speed Knob forward to increase speed and backward to decrease speed. Speed can also be adjusted using the remote, if applicable.

› Steer Right and Steering Left

The main button on the foot pedal is to control steering. Steer Right by applying pressure to the right side of the button and Steer Left by applying pressure to the left side of the button. The position and direction of the Steering Head directly corresponds to the position of the motor. You must use your foot on the pedal to control the steering direction during manual operation. The direction of the motor can also be controlled with the remote.

⚠ CAUTION

The steering system is designed to turn your motor 360°. Be careful to avoid over-wrapping the coil cord around the composite shaft. Damage to the coil cord can occur when it is over-wrapped, which will prevent the motor from operating correctly.

CONTROLLING SPEED & STEERING WITH THE FOOT PEDAL



› Steering in Reverse

The propeller always turns in the forward direction. You can reverse the direction of thrust by turning the motor 180°.

NOTICE: The motor will not auto correct to drive straight.

WARNING

You are responsible for the safe and prudent operation of your vessel. We have designed PowerDrive to be an accurate and reliable tool that will enhance boat operation and improve your ability to catch fish. This product does not relieve you from the responsibility for safe operation of your boat. You must avoid hazards to navigation and always maintain a permanent watch so you can respond to situations as they develop. You must always be prepared to regain manual control of your boat. Learn to operate your PowerDrive in an area free from hazards and obstacles.

CAUTION

For safety reasons, disconnect the motor from the battery/batteries when the motor is not in use or while the battery/batteries are being charged. If the motor control is left on and the propeller rotation is blocked, severe motor damage can result.

WARNING

Practice proper ergonomics when operating the foot pedal to prevent injury.

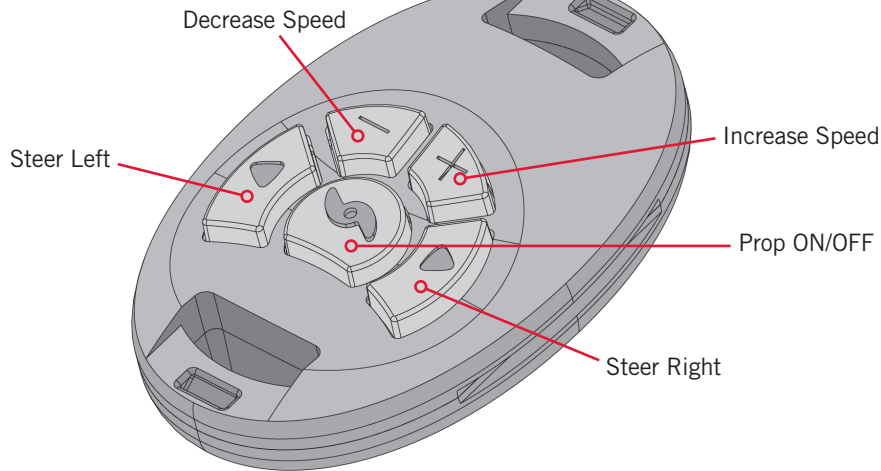


COPILOT

CONTROLLING THE MOTOR WITH COPILOT

Review the complete CoPilot section of this manual to become familiar with this feature. For more information on CoPilot or for additional product support, please visit minnkotamotors.com.

NOTICE: Your motor may come factory installed with CoPilot.



› Prop ON/OFF

This button is located in the middle of the remote. It turns the propeller on or off. Press the button once to turn the propeller ON; press button a second time to turn it OFF. The button does not need to be held down.

› Steer Left & Steer Right

These buttons are located to the right and left of the Prop ON/OFF button and have an arrow symbol. They cause the motor to turn in the desired direction as long as the button is held down. If the Steer Right or Steer Left button is held for more than seven seconds, the steering will automatically stop until the button is pressed again.

› Increase Speed & Decrease Speed

The Increase Speed and Decrease Speed buttons are located on the top of the remote and are identified with a positive and negative symbol. Pressing and releasing these buttons causes the speed to increase or decrease by increments of 1. The speed is adjustable from level 0-10. At level 0, the prop will not turn.

In audio mode 2, an audible beep is heard for each increment when changing speed. Attempting to go higher than speed 10 or lower than speed 0 will result in the speed not changing and no beep will be heard. See the Audio Mode section for more information.

If the receiver senses no foot pedal (if applicable) or remote operation for 1 hour, the remote speed setting is automatically set to zero. This helps prevent unintentional activation of the propeller if the prop on/off remote button is inadvertently pressed.

COPILOT GENERAL OPERATION

› Operating with the Remote and Foot Pedal (Foot Pedal only available on select models.)

- When the Momentary/Constant Switch on the Foot Pedal is in the CON position or when the Momentary Button is held, the receiver WILL NOT RESPOND to any remote commands. When remote commands are received, the receiver will emit an audible chirp. This will indicate that the remote is functioning properly, but the Foot Pedal is active and is overriding the remote.
- When the Momentary/Constant Switch is in the MOM position, the operator may begin using the remote at any time.

AUDIO MODES



- As soon as any remote button is pressed, the initial speed setting will be set to approximately the same value as the Speed Control value on the Foot Pedal. The prop will not automatically turn on until the Prop ON/OFF button on the remote is pressed.
- Pressing the Momentary Button on the Foot Pedal or adjusting the Speed Control dial will override the remote and receiver function. Control of the motor will automatically go to the Foot Pedal. The prop speed will also revert to the current value of the Speed Control dial on the Foot Pedal.

› Operating without the Foot Pedal (Foot Pedal only available on select models.)

- If the foot pedal is not being used, the CoPilot receiver will always react to any commands from the CoPilot remote.

AUDIO MODES

There are three receiver Audio Modes available. The unit is factory set to Audio Mode 2. To switch from one audio mode to another, simultaneously press and hold the increase and decrease speed buttons for one second. The receiver will respond with 1, 2 or 3 audible beeps indicating the corresponding receiver audio mode change.

Audio Mode	Function
Mode 1	All of the normal audible sounds mentioned in this owners manual, but no audible beeps for speed increase/ decrease or prop on/off.
Mode 2	Same as audio mode 1 plus an audible beep for speed increase / decrease and prop on/off.
Mode 3	Same as audio mode 2 plus the prop on audible tick every 1.5 seconds.

NOTICE: When the Foot Pedal (if applicable) is operating the motor and the propeller is on, the prop on indicator tick will be heard if the receiver is set to Audio Mode 3.

Audio Pattern	What Condition Causes Audio Pattern	Audio Mode
1 Beep	Pressing the Increase Speed or Decrease Speed button	Modes 2 and 3
1 Beep	Pressing the Prop ON/OFF button to turn the Prop on	Modes 2 and 3
2 Beeps	Pressing the Prop ON/OFF button to turn the Prop off	Modes 2 and 3
Single tick every 1.5 seconds	When the Prop is active including when Speed Control dial is set to 0	Mode 3
1 Beep	Switching to audio Mode 1	All
2 Beeps	Switching to audio Mode 2	All
3 Beeps	Switching to audio Mode 3	All
1 Chirp	Every time the receiver is powered up and there is at least one remote learned	All
2 second long Beep	Every time the receiver is powered up and there are no remotes learned	All
5 Beeps	Speed Control dial on Foot Pedal (if applicable) is moved after speed has been adjusted with remote	All
Steady Tone	Heard while holding down the Learn button on the receiver	All
4 Beeps	Heard after a remote button is pressed while the receiver learns it.	All
Ten second warbling sound that transitions into a steady tone	Heard during the process used to clear all stored remote. after the learn switch is released, a 2 second long beep will be heard	All
1 long Beep, 2 short Beeps, pause (repeat)	Powered up with Momentary/Constant Switch in the CON position (or the Momentary Button held) when the Foot Pedal (if applicable) is moved to momentary, the power up audio will be heard	All

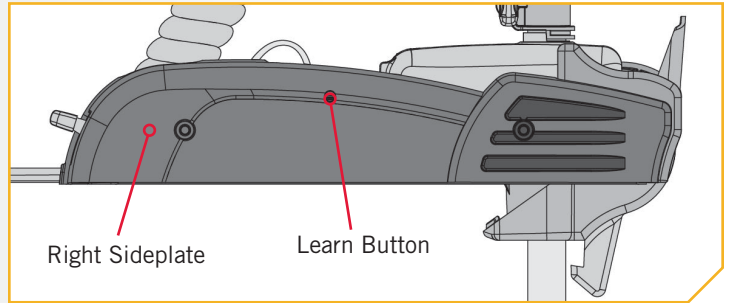
ADDING/REMOVING REMOTES

The CoPilot remote came from the factory already "Learned" by the CoPilot receiver. Any additional remotes must be "Learned" by the receiver. The receiver stores all "Learned" information even when the motor is disconnected from a power source.

› To "Learn" Remotes

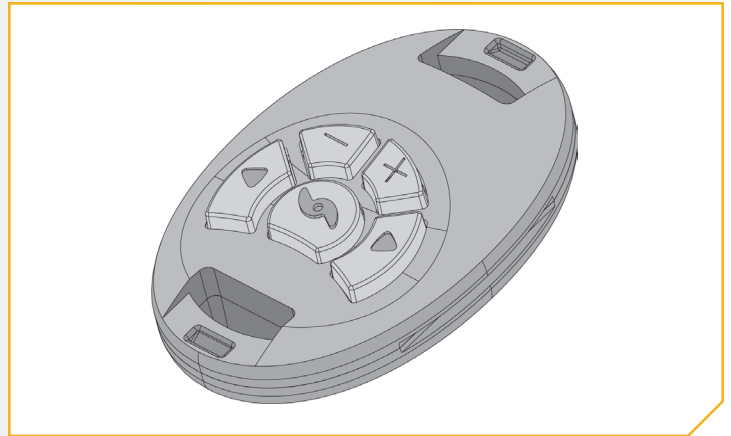
Your receiver may learn up to ten remotes. Any additional remotes can be "Learned" using the following steps. This will also work to "Learn" any remote if all remotes are erased from the receiver.

- 1
 - a. Using a small blunt object such as a pen or screwdriver, press and hold the Learn Button located on the side of the receiver.
 - b. The receiver will emit a continuous tone.



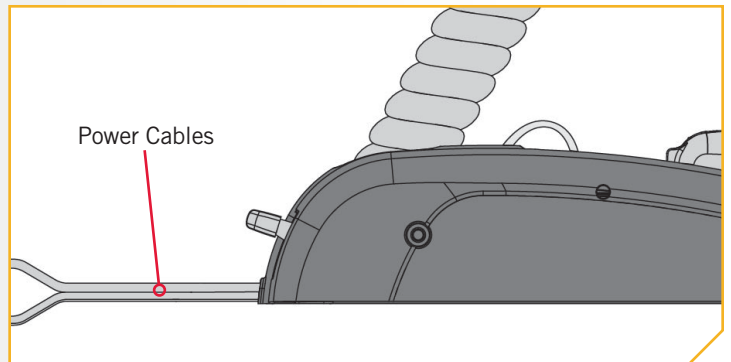
- 2
 - c. Press any button on the remote.
 - d. The receiver will beep 4 times confirming that it has "Learned" the remote successfully.

NOTICE: "Learning" the same remote will not overwrite previously "Learned" remotes. If the receiver has "Learned" ten remotes, "Learning" an eleventh remote will overwrite the first remote.



› To Erase All Remotes from the Receiver

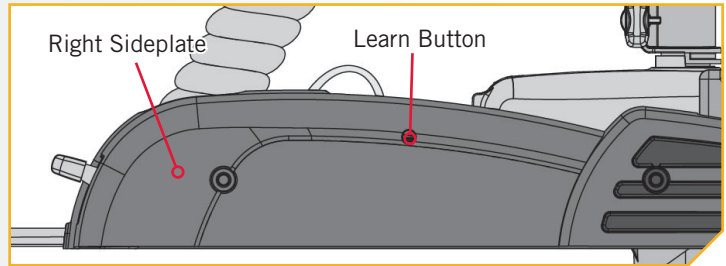
- 1
 - a. Remove power from the CoPilot receiver by disconnecting the Power Cables, or by making sure that the breaker, if equipped, is "off".



REPLACING THE BATTERY

2

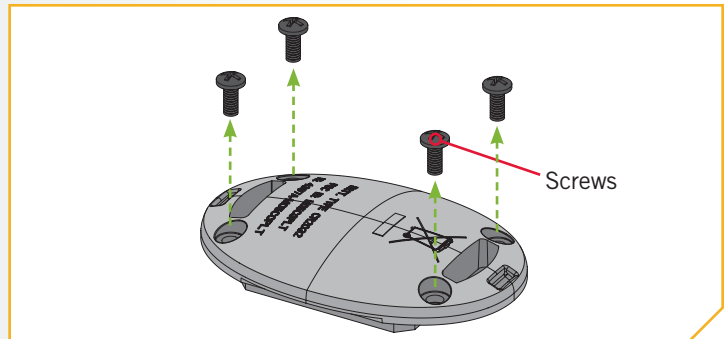
- b. Press and hold the Learn Button and power up the CoPilot receiver by reconnecting the Power Cables, or by making sure that the breaker, if equipped, is "on".
- c. Continue to hold the Learn Button down for 10 seconds. During this time the receiver audio will emit a warble sound, slowly transition to a constant beep and then shut off.
- d. Release the Learn Button and the receiver will reboot. The receiver will emit a 2 second long beep indicating memory is empty. This audio pattern will occur each time the receiver powers up until a remote ID number is "Learned".



› Replacing the Battery

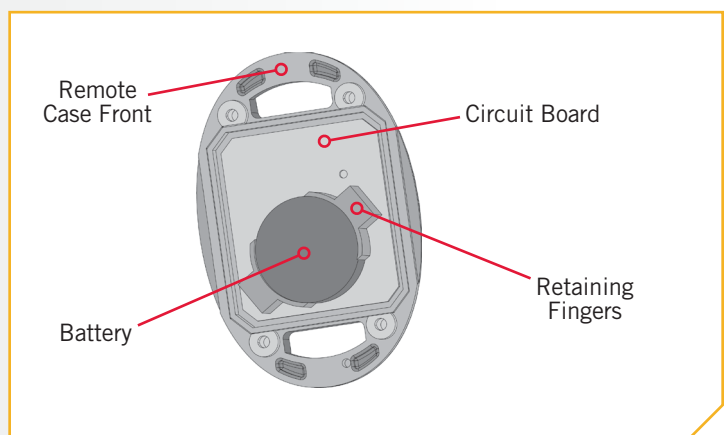
1

- a. Temporarily ground yourself by touching a grounded metal object in order to discharge any static electricity in your body.
- b. Remove the four screws on the bottom of the remote case.
- c. Separate the case halves to access the circuit board.



2

- d. To remove the Battery, place the tip of a finger or thumb under the exposed edge of the Battery and pry it upwards.
- e. Install the new battery with the positive (+) side of the Battery facing up and away from the Circuit Board. Ensure Battery is snapped securely in place.

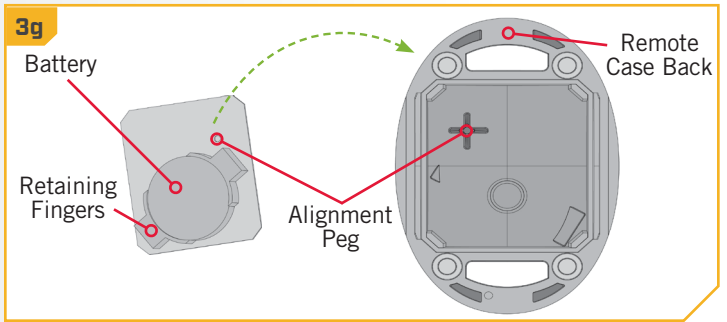
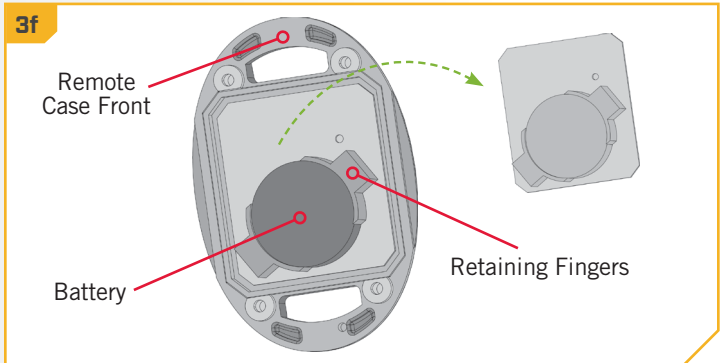


NOTICE: The replacement battery must be a model CR2032 coin cell type. It is strongly recommended that a name brand battery is used.

REPLACING THE BATTERY

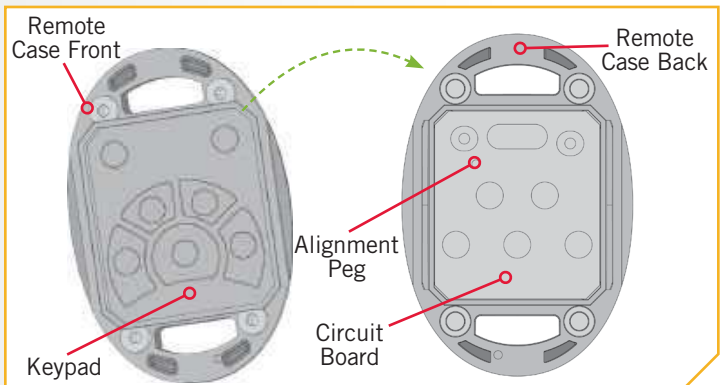
3

- d. Reassemble the remote. Begin by removing the board from the front of the remote case. This is the same board that holds the battery. Leave the Keypad in place on the front of the remote.
- e. Note that the alignment peg in the back of remote case must line up with the corresponding alignment hole in the circuit board. Place the board with the battery facing down on the back of the remote case.



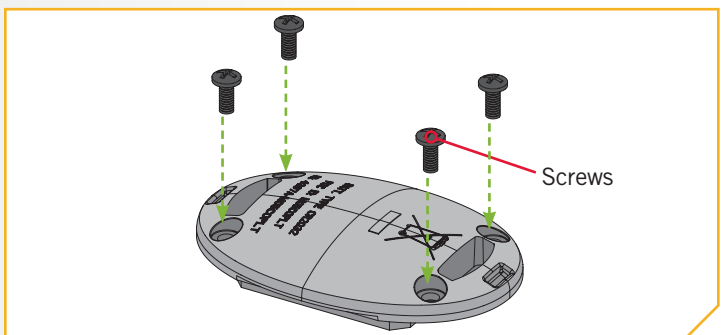
4

- f. Position the back of the remote case so that the Alignment peg is towards the top when the remote is laying on a flat surface. Position the front of the remote case so the keypad and the curved buttons are towards the bottom when the remote is laying on a flat surface.
- g. Keep the back of the Remote Case flat. Place the front of the Remote Case, with the Keypad in place, on the back of the Remote Case. Make sure the Case is seated.



5

- h. Reinstall the four case screws and tighten them as required.



SERVICE & MAINTENANCE

PROPELLER REPLACEMENT

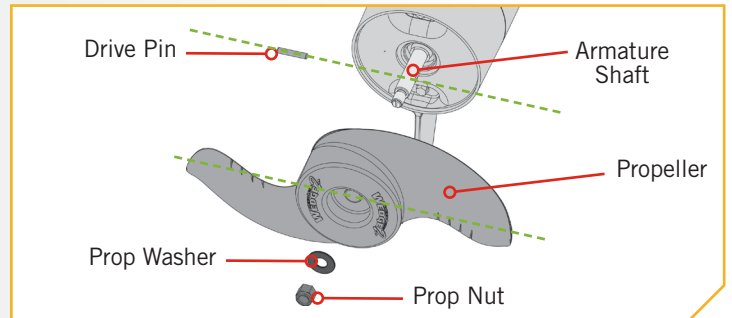
TOOLS AND RESOURCES REQUIRED >

- 9/16" Open End Wrench
- Flat Blade Screwdriver

INSTALLATION >

- 1**
- Disconnect the motor from all sources of power prior to changing the propeller.
 - Hold the propeller and loosen the Prop Nut with a pliers or a wrench.
 - Remove the Prop Nut and Prop Washer.

NOTICE: If the Drive Pin is sheared or broken, you will need to hold the shaft stationary with a flat blade screwdriver pressed into the slot on the end of the shaft while you loosen the Prop Nut.



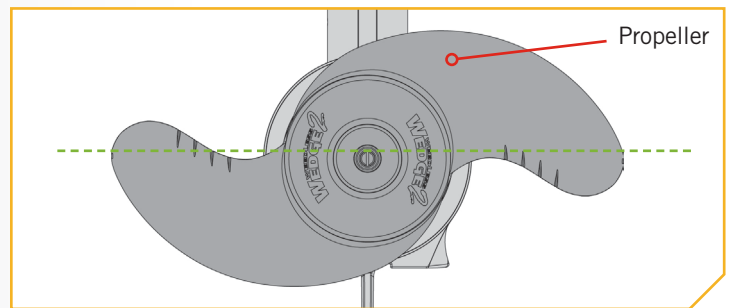
⚠ CAUTION

Disconnect the motor from the battery before beginning any prop work or maintenance.

- 2**
- Turn the old prop to horizontal and pull it straight off. If drive pin falls out, push it back in.

⚠ CAUTION

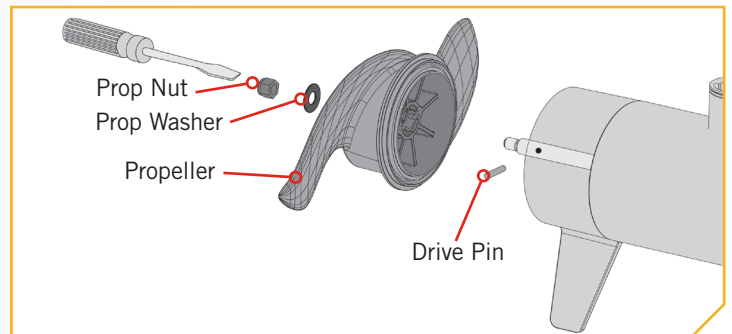
If the prop does not readily slide off, take care to not bend the Armature Shaft while removing the prop by pulling the prop evenly off the Armature Shaft.



- 3**
- Align the new Propeller with the Drive Pin.
 - Install the Prop Washer and Prop Nut.
 - Tighten the Prop Nut 1/4 turn past snug at 25-35 inch-lbs.

⚠ CAUTION

Do not over tighten as this can damage the prop.



GENERAL MAINTENANCE

After every use, the entire motor should be rinsed with freshwater, then wiped down with a cloth dampened with an aqueous based silicone spray.

- Do not spray water into the ventilation openings in the head of the motor.
- The composite shaft requires periodic cleaning and lubrication for proper retraction and deployment. A coating of an aqueous based silicone spray will improve operation.
- The propeller must be inspected and cleaned of weeds and fishing line after every use. Fishing line and weeds can get behind the prop, damage the seals and allow water to enter the motor.
- Verify the prop nut/anode is secure each time the motor is used.
- To prevent accidental damage during transportation or storage, disconnect the battery whenever the motor is off of the water.
- For prolonged storage, lightly coat all metal parts with an aqueous based silicone spray.
- For maximum battery life, recharge the battery(s) as soon as possible after use. For maximum motor performance, restore battery to full charge prior to use.
- Keep battery terminals clean with fine sandpaper or emery cloth (flooded lead acid only).
- The propeller is designed to provide optimum operation with very high efficiency. To maintain this top performance, the leading edge of the blades must be kept smooth. If they are rough or nicked from use, restore to smooth by sanding with fine sandpaper.
- Stow the motor after each use to allow water to drain from the steering housing. Water that sits in the steering housing when the motor is not in use may cause damage.

TROUBLESHOOTING

1. Motor fails to run or lacks power:
 - Check battery connections for proper polarity.
 - Make sure terminals are clean and corrosion free. Use fine sandpaper or emery cloth to clean terminals.
 - Check battery water level. Add water if needed.
2. Motor loses power after a short running time:
 - Check battery charge. If low, restore to full charge.
3. Motor is difficult to steer:
 - Check steering cables for proper tension. Adjust as necessary.
4. You experience prop vibration during normal operation:
 - Remove and rotate the prop 180°. See removal instructions in the Propeller Replacement Section.
5. Experiencing interference with your fish finder:
 - You may, in some applications, experience interference in your depth finder display. We recommend that you use a separate deep cycle marine battery for your trolling motor and that you power the depth finder from the starting/cranking battery. If problems still persist, call our service department at 1-800-227-6433.

NOTICE: For all other malfunctions, visit an Authorized Service Center. You can search for an Authorized Service Center in your area by visiting our Authorized Service page, found on-line at minnkotamotors.com, or by calling our customer service number at 800-227-6433.

TROUBLESHOOTING THE COPILOT





TROUBLESHOOTING THE COPILOT


Cause	Effect	Solution
Remote is not transmitting.	The battery is discharged.	Replace battery.
	Receiver may not have "learned" the remote.	Remote needs to be learned. See the Adding/Removing Remotes section of this manual to learn the remote.
	With the foot pedal (if applicable) connected, the MOM-CON switch is in the CON position. An audio response will be heard if a button is pressed with the foot pedal in the CON position.	The foot pedal (if applicable) switch must be placed in Momentary Mode (MOM). The receiver will not accept any commands from the remote with the switch in the Constant Mode (CON) position.
	If remote has been taken apart, the keypad and top case may have been installed backwards.	Take remote apart. See the Replacing the Battery section of this manual and reinstall case halves with the proper orientation.
When receiver is powered up, it sounds a beep pattern (1 long beep, 2 short beeps, pause, repeat).	The foot pedal (if applicable) Momentary/Constant Switch is in the CON position.	The foot pedal (if applicable) switch must be placed in the MOM position. The beeping sound will continue until the switch is placed in the MOM position.
The prop is not turning but the Prop ON audio pattern is still going.	Prop Speed is set at "0".	Increase the Prop Speed above "0"
	The Prop ON audio pattern occurs only in Audio Mode 3	Switch Audio Mode to either Audio 1 or 2. See the Audio Modes section of this manual.


FOR FURTHER TROUBLESHOOTING AND REPAIR


We offer several options to help you troubleshoot and/or repair your product. Please read through the options listed below.

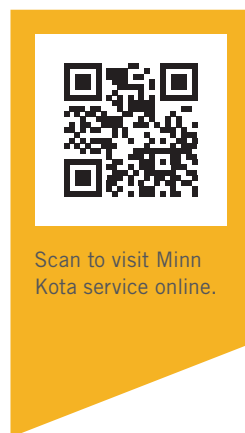
 **Buy Parts Online**
 You can buy parts on-line directly from our website at minnkotamotors.com. Orders confirmed by 12 noon central time will ship same day if in stock. Orders after 12 noon central time will ship the next business day if in stock.

 **Frequently Asked Questions**
 We have FAQs available on our website to help answer all of your Minn Kota questions. Visit minnkotamotors.com and click on "Frequently Asked Questions" to find an answer to your question.

 **Call Us (for U.S. and Canada)**
 Our consumer service representatives are available Monday – Friday between 7:00 a.m. – 4:30 p.m. CST at 800-227-6433. If you are calling to order parts, please have the 11-character serial number from your product, specific part numbers, and credit card information available. This will help expedite your call and allow us to provide you with the best consumer service possible. You can reference the parts list located in your manual to identify the specific part numbers.

 **Email Us**
 You can email our consumer service department with questions regarding your Minn Kota products. To email your question, visit minnkotamotors.com and click on "Support".

 **Authorized Service Centers**
 Minn Kota has over 800 authorized service centers in the United States and Canada where you can purchase parts or get your products repaired. Please visit our Authorized Service Center page on our website to locate a service center in your area.



COMPLIANCE STATEMENTS

ENVIRONMENTAL COMPLIANCE STATEMENT

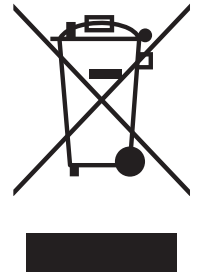
It is the intention of JOME to be a responsible corporate citizen, operating in compliance with known and applicable environmental regulations, and a good neighbor in the communities where we make or sell our products.

WEEE DIRECTIVE

EU Directive 2002/96/EC “Waste of Electrical and Electronic Equipment Directive (WEEE)” impacts most distributors, sellers, and manufacturers of consumer electronics in the European Union. The WEEE Directive requires the producer of consumer electronics to take responsibility for the management of waste from their products to achieve environmentally responsible disposal during the product life cycle.

WEEE compliance may not be required in your location for electrical & electronic equipment (EEE), nor may it be required for EEE designed and intended as fixed or temporary installation in transportation vehicles such as automobiles, aircraft, and boats. In some European Union member states, these vehicles are considered outside of the scope of the Directive, and EEE for those applications can be considered excluded from the WEEE Directive requirement.

This symbol (WEEE wheelie bin) on product indicates the product must not be disposed of with other household refuse. It must be disposed of and collected for recycling and recovery of waste EEE. Johnson Outdoors Inc. will mark all EEE products in accordance with the WEEE Directive. It is our goal to comply in the collection, treatment, recovery, and environmentally sound disposal of those products; however, these requirements do vary within European Union member states. For more information about where you should dispose of your waste equipment for recycling and recovery and/or your European Union member state requirements, please contact your dealer or distributor from which your product was purchased.



DISPOSAL

Minn Kota motors are not subject to the disposal regulations EAG-VO (electric devices directive) that implements the WEEE directive. Nevertheless never dispose of your Minn Kota motor in a garbage bin but at the proper place of collection of your local town council.

Never dispose of battery in a garbage bin. Comply with the disposal directions of the manufacturer or his representative and dispose of them at the proper place of collection of your local town council.

REGULATORY COMPLIANCE INFORMATION

› i-Pilot Equipped Motors

For regulatory information on motors that come factory installed with i-Pilot, please refer to the i-Pilot Owner's Manual on-line at minnkotamotors.com.

› Model: CoPilot

This is only applicable to motors factory installed with CoPilot

- IC: 4397A-M05COPLT
- FCC ID: M05COPLT



FCC COMPLIANCE



FCC COMPLIANCE

This device complies with Part 15 of the FCC rules. **Operation is subject to the following two conditions:**

1. This device may not cause harmful interference.
2. This device must accept any interference that may be received, including interference that may cause undesired operation.

Changes or modifications not expressly approved by Johnson Outdoors Marine Electronics, Inc. could void the user's authority to operate this equipment.

NOTICE: This equipment has been tested and found to comply with the limits for a Class B digital device, pursuant to part 15 of the FCC Rules. These limits are designed to provide reasonable protection against harmful interference in a residential installation. This equipment generates, uses and can radiate radio frequency energy and, if not installed and used in accordance with the instructions, may cause harmful interference to radio communications. However, there is no guarantee that interference will not occur in a particular installation. **If this equipment does cause harmful interference to radio or television reception, which can be determined by turning the equipment off and on, the user is encouraged to try to correct the interference by one or more of the following measures:**

- Reorient or relocate the receiving antenna.
- Increase the separation between the equipment and receiver.
- Connect the equipment into an outlet on a circuit different from that to which the receiver is connected.
- Consult the dealer or an experienced radio/TV technician for help.

INDUSTRY CANADA COMPLIANCE

This product meets the applicable Industry Canada technical specifications. Operation is subject to the following two conditions: (1) this device may not cause interference, and (2) this device must accept any interference, including interference that may cause undesired operation of the device.

Changes or modifications not expressly approved by Johnson Outdoors Marine Electronics, Inc. could void the user's authority to operate this equipment.

ENVIRONMENTAL RATINGS

Ambient operating temperature range: -10C to 50C

Ambient operating humidity range: 5% to 95%

Maximum operating altitude: 10,000 feet



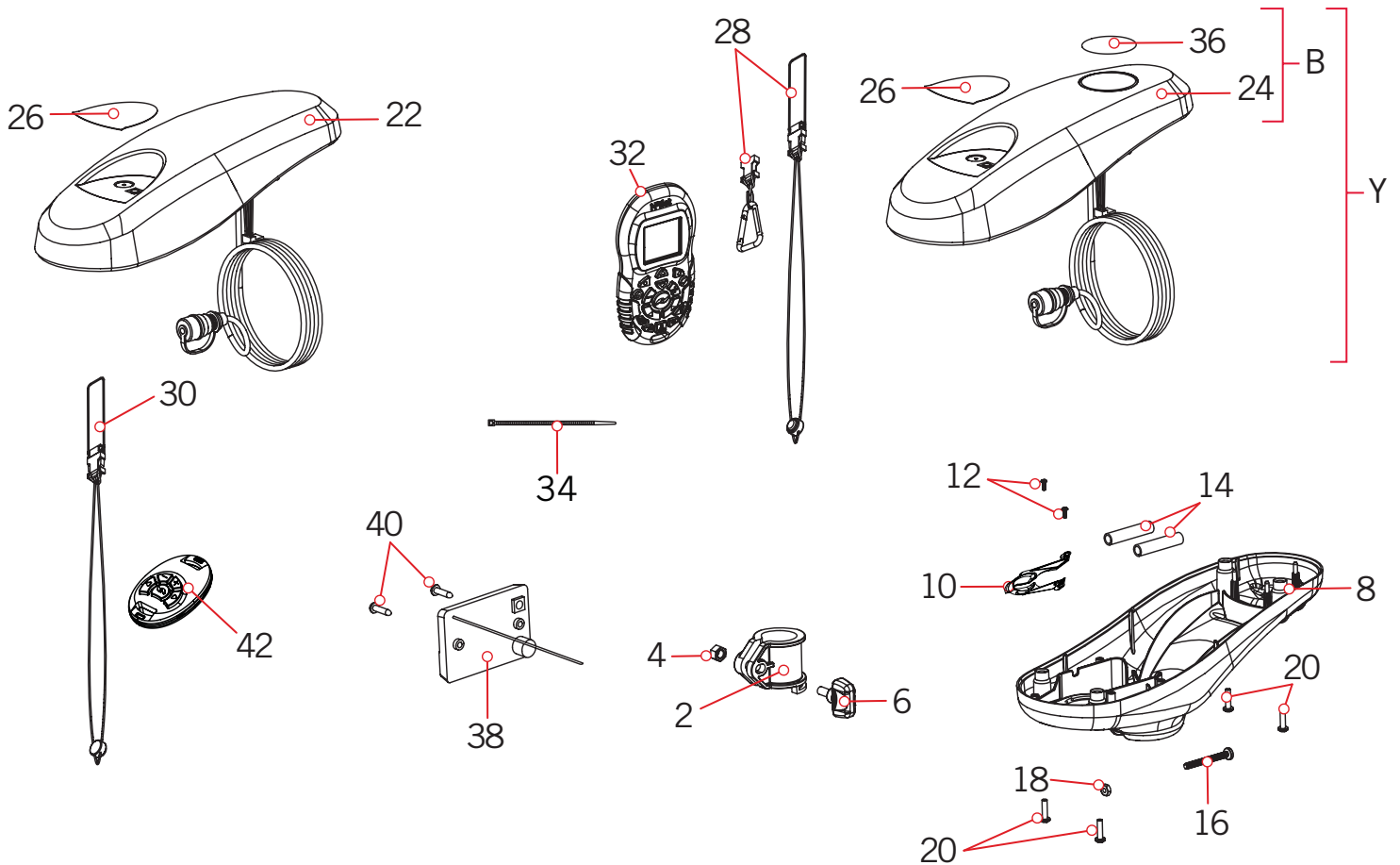
PARTS DIAGRAM & PARTS LIST

RIPTIDE POWERDRIVE - 55/70 LBS THRUST - 12/24 VOLT - 48"/54" SHAFT

The parts diagram and parts list provides Minn Kota® WEEE compliance disassembly instructions. For more information about where you should dispose of your waste equipment for recycling and recovery and/or your European Union member state requirements, please contact your dealer or distributor from which your product was purchased. Tools required, but not limited to: flat head screwdriver, Phillips screwdriver, socket set, pliers, wire cutters.

RIPTIDE POWERDRIVE CONTROL HEAD >

> Control Head Parts Diagram



PARTS DIAGRAM & PARTS LIST

Control Head Parts List

Assembly	Part #	Description	Notes	Quantity
B	2770219 ◆	COVER KIT, RIPTIDE POWERDRIVE	*I-PILOT COVER & DECALS ONLY*	1
Y	2774126 ◆	MOTOR KIT, iP 1.6 RT POWERDRIVE	*i-PILOT RECEIVER*	1
Item	Part #	Description	Notes	Quantity
2	2031522	COLLAR DRIVE (W/INSERT)		1
4	2323104	HEX NUT ¼ -20 SS		1
6	2011366	SCREW-COLLAR/NEW KNOB(SS)	*SALTWATER*	1
8	2292506	CONTROL BOX A/P RT-WHITE	*SALTWATER*	1
10	2224707	PLUG, SCREW-DOWN, WHT		1
12	2372103	SCREW-#6 X .375 PLASTITE SS		2
14	2305402	SHRINK TUBE - .374 OD X 2.25"	*SALTWATER*	2
16	2263406	SCREW-#10-24 X 2" S/S PPH		1
18	2333101	NUT-HEX #10-24 UNC-2B NYL SS	*SALTWATER*	1
20	2372100	SCREW-#8-18 X 5/8 THD* (SS)		5
22	2290218	COVER, CTRL BOX, RT PD PRINTED		1
24	2290213 ◆	COVER, CTRL BOX RT PD PRINTED	*iPILOT*	1
26	2315608	DECAL, COVER, RT PD 55	*55LB*	1
	2315607	DECAL, COVER, RT PD 50	*70LB*	1
	2315731	DECAL-GENERIC, PUSH BTN TOP SW		1
	2395551 ◆	DECAL, PUSH BTN RT PD, TRV/iP 55	*iPILOT*	1
	2315604 ◆	DECAL, PUSH BTN TOP, RT V3 70iP	*iPILOT*	1
28	2390800 ◆	LANYARD, REMOTE W/ CARABINER		1
30	2390801 ●	LANYARD, REMOTE	*COPILOT*	1
32	2994075 ◆	REMOTE ASSY, IPILOT 1.6		1
34	2256300	TIE WRAP - 5.5" BLACK	*70LB*	1
36	2395546 ◆	DECAL. DOMED iPILOT SW		1
38	2994123 ●	RECIEVER ASM CO-PILOT SW		1
40	2373418 ●	SCREW-#8 X 5/8 PPHSMS S/S	*COPILOT ONLY* *SALTWATER*	2
42	2994020 ●	TRASMTR, ASY, PD/AP COPLT	*COPILOT ONLY* *SALTWATER*	1
▲	2397100 ◆	MANUAL, iPILOT 1.6	*i-PILOT*	1
▲	2397106 ◆	GUIDE-QUICK REFERENCE iP 1.6	*iPILOT*	1
▲	2015800	HANG TAG "CAUTION... TILT HINGE"		1
▲	2317123	MANUAL, INSTALL GUIDE, RTPD BT		1
▲	2297165	MANUAL, DISCLAIMER, DOWNLOAD INFO		1
▲	2317121	MANUAL, RT POWERDRIVE BT		1

▲ Not shown on Parts Diagram.

✘ This part is included in an assembly and cannot be ordered individually.

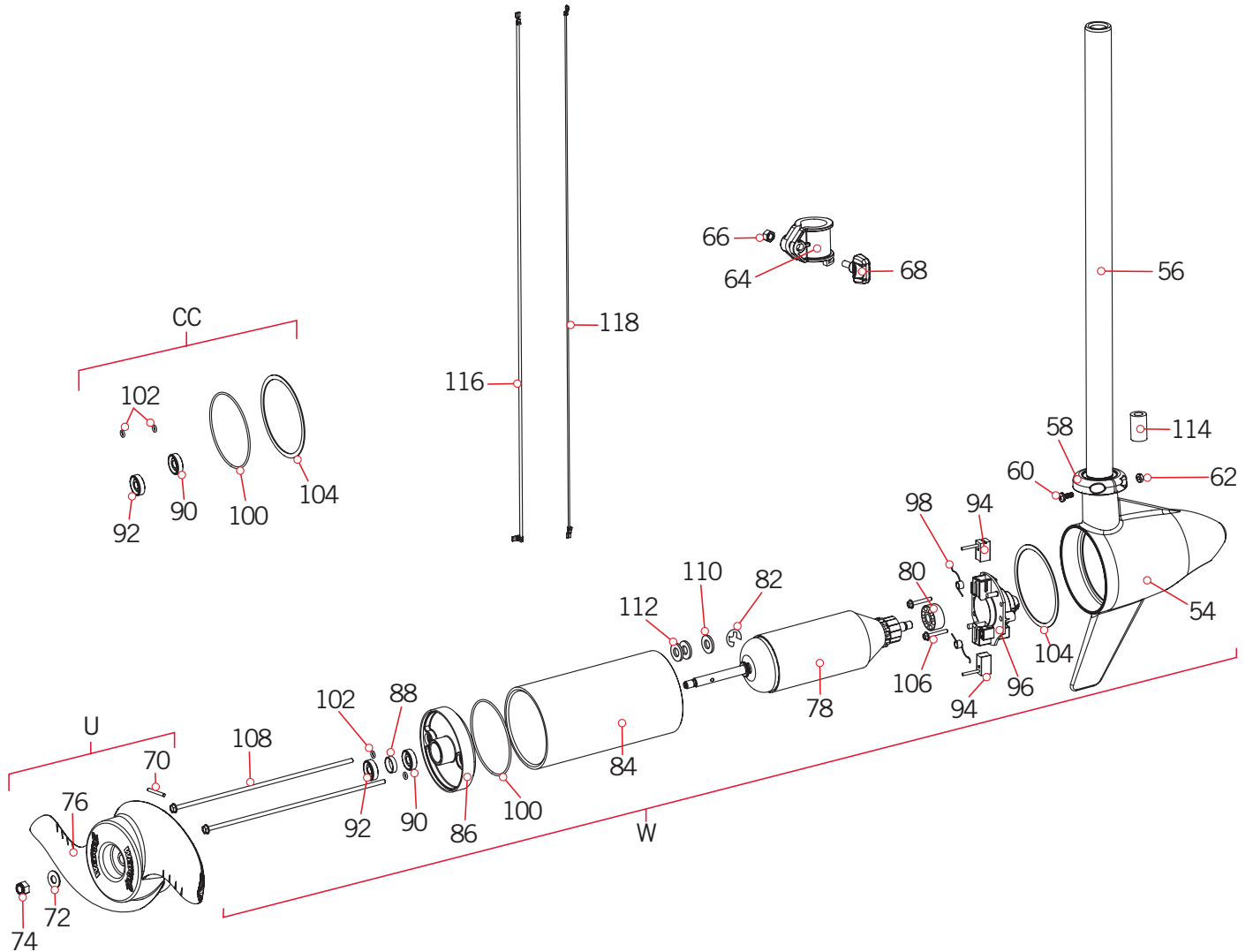
◆ Only available with models factory installed with i-Pilot or i-Pilot Link.

● Only available with models factory installed with CoPilot.

RIPTIDE POWERDRIVE MOTOR >

> 12 Volt Motor Parts Diagram

12 volt - 3.625"



PARTS DIAGRAM & PARTS LIST

12 Volt Motor Parts List

Assembly	Part #	Description	Notes	Quantity
W	2097095	MTR ASY 12V 3.62 VS 55#	*SALTWATER*	1
U	1378131	PROP IND 2091160 (WDLS WDGII)		1
CC	2888460	SEAL & O-RING KIT	*3.625*	1
Item	Part #	Description	Notes	Quantity
54	421-336	HSG BRUSH END 3.62 WHITE	*SALTWATER*	1
56	2002000	TUBE COMPOSITE 48" RT/SP-WHT	*SALTWATER* *55LB* *48"	1
	2002001	TUBE COMPOSITE 54" RT/SP-WHT	*55LB* *54"	1
58	2301555	COLLAR-LATCH, PD/AP		1
60	2303434	SCREW-#8-32 X 5/8 MACH PHCR SS		1
62	2303112	NUT-#8-32 NYLOCK SS		1
64	2031522	COLLAR DRIVE (W/INSERT)		1
66	2323104	HEX NUT 1/4 - 20 SS		1
68	2011366	SCREW-COLLAR/NEW KNOB(SS)	*SALTWATER*	1
70	2092600	PIN-DRIVE 1.06" LG (SS)		1
72	2151726	WASHER-5/16 STD (S/S)		1
74	2053101	NUT-PROP,NYLOC (MED) 5/16 SS		1
76	2091160	PROP-WW2 (3 5/8") REAMED		1
78	2-100-117A	ARM ASY 12V 3.62 55#2.88"		1
80	140-010	BALL BEARING		1
82	788-015	RETAINING RING		1
84	2-200-301A	CTR HSG ASY 3.6 MAGNETIZED		1
86	2-400-337A	PLAIN END HSG ASY 3.6 TX/W		1
88	144-049	BEARING - FLANGE (SERVICE ONLY)		1
90	880-003	SEAL		1
92	880-006	SEAL WITH SHIELD		1
94	188-036	BRUSH ASSEMBLY 3.625 55#		2
96	738-036	BRUSH PLATE WITH HOLDER 3.625		1
98	975-040	SPRING-TORSION		2
100	701-081	O-RING		1
102	701-007	O-RING		2
104	337-036	GASKET		1
106	830-007	SCREW, # 8-32		2
108	830-042	THRU BOLT 10-32 X 8.83	*55LB*	2
110	990-067	WASHER - STEEL THRUST		1
112	990-070	WASHER - NYLATRON		2

▲ Not shown on Parts Diagram.

✳ This part is included in an assembly and cannot be ordered individually.

◆ Only available with models factory installed with i-Pilot or i-Pilot Link.

● Only available with models factory installed with CoPilot.

PARTS DIAGRAM & PARTS LIST



Item	Part #	Description	Notes	Quantity
114	2307317	BEAD-FERRITE, SHORT		1
116	640-107	LEADWIRE RED 10AWG 65-1/2" GPT		1
118	640-008	LEADWIRE BLK 10AWG 63-1/2" GPT		1

- ▲ *Not shown on Parts Diagram.*
- ✘ *This part is included in an assembly and cannot be ordered individually.*
- ◆ *Only available with models factory installed with i-Pilot or i-Pilot Link.*
- *Only available with models factory installed with CoPilot.*



PARTS DIAGRAM & PARTS LIST

24 Volt Motor Parts List

Assembly	Part #	Description	Notes	Quantity
X	2096056	MTR ASY 24V 3.62 VS 70#SW	*SALTWATER*	1
U	1378131	PROP IND 2091160 (WDLS WDGII)		1
CC	2888460	SEAL & O-RING KIT	*3.625*	1
Item	Part #	Description	Notes	Quantity
130	421-336	HSG BRUSH END 3.62 WHITE	*SALTWATER*	1
132	2002001	TUBE COMPOSITE 54" RT/SP-WHT	*SALTWATER*	1
134	2301555	COLLAR-LATCH, PD/AP		1
136	2303434	SCREW-#8-32 X 5/8 MACH PHCR SS		1
138	2303112	NUT-#8-32 NYLOCK SS		1
140	2031522	COLLAR DRIVE (W/INSERT)		1
142	2323104	HEX NUT 1/4 - 20 SS		1
144	2011366	SCREW-COLLAR/NEW KNOB(SS)	*SALTWATER*	1
146	2092600	PIN-DRIVE 1.06" LG (SS)		1
148	2151726	WASHER-5/16 STD (S/S)		1
150	2053101	NUT-PROP,NYLOC (MED) 5/16 SS		1
152	2091160	PROP-WW2 (3 5/8") REAMED		1
154	2-100-128	ARM ASSY 24V 3.62 70#		1
156	140-010	BALL BEARING		1
158	788-015	RETAINING RING		1
160	2-200-307	CTR HSG ASM 3.6" SW MAGNETIZED		1
162	2-400-337A	PLAIN END HSG ASY 3.6 TX/W		1
164	144-049	BEARING - FLANGE	*SERVICE ONLY*	1
166	880-003	SEAL		1
168	880-006	SEAL WITH SHIELD		1
170	188-038	BRUSH ASSEMBLY 3.625 70# 6H3		2
172	9-738-038	BRUSH PLATE WITH HOLDER 3.625, #70 LOWER UNIT		1
174	975-042	SPRING-TORSION		2
176	701-081	O-RING		1
178	701-007	O-RING THRU BOLT		2
180	337-036	GASKET		1
182	830-007	SCREW, # 8-32		2
184	830-008	THRU BOLT 10-32 x 9.205 70LB		2
186	990-067	WASHER - STEEL THRUST		1
188	990-070	WASHER - NYLATRON		2
190	2307314	BEAD-FERRITE		1

▲ Not shown on Parts Diagram.

✘ This part is included in an assembly and cannot be ordered individually.

◆ Only available with models factory installed with i-Pilot or i-Pilot Link.

● Only available with models factory installed with CoPilot.

PARTS DIAGRAM & PARTS LIST



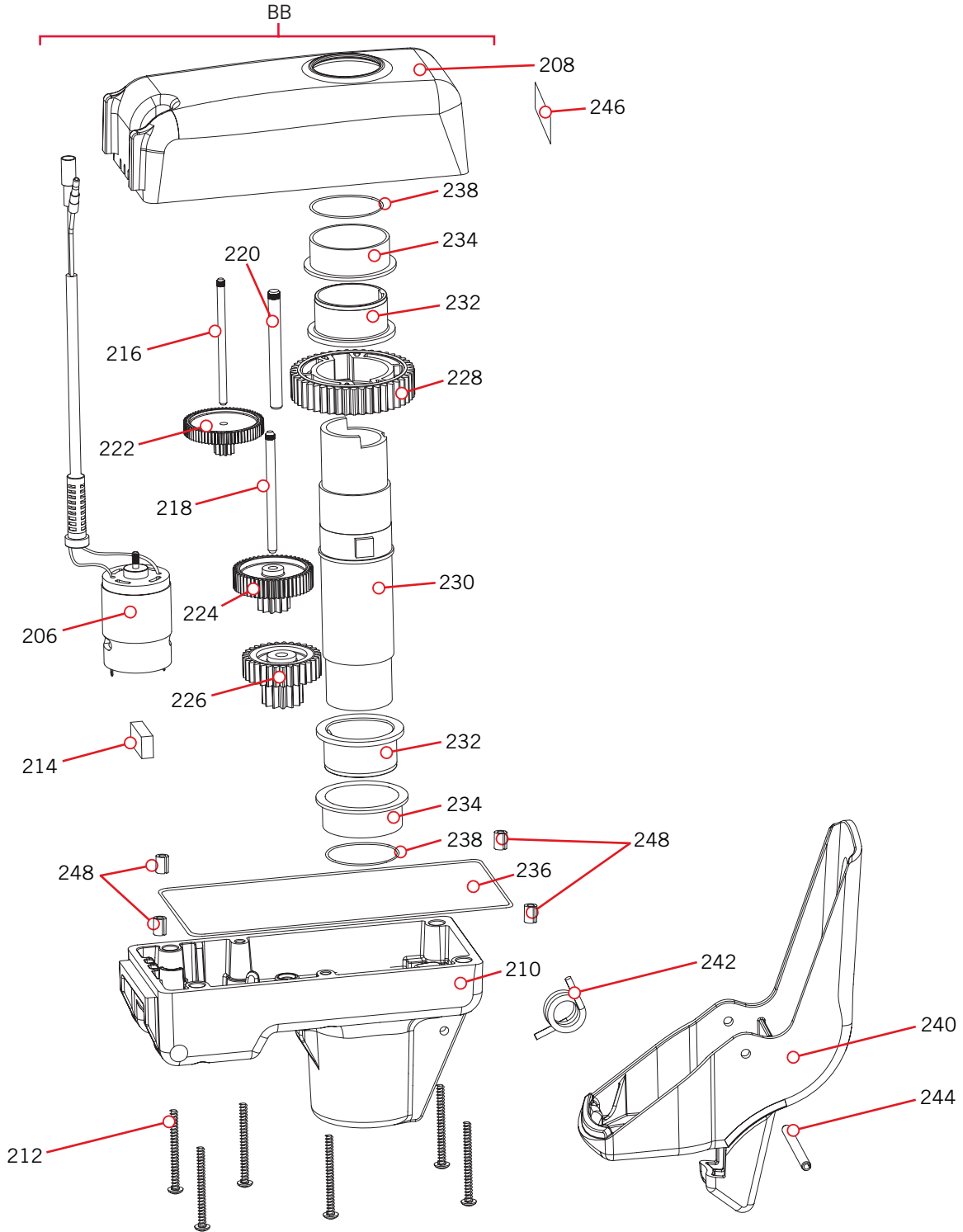
Item	Part #	Description	Notes	Quantity
192	640-106	LEADWIRE RED 10 AWG 64 GPT		1
194	640-008	LEADWIRE BLK 10AWG 63-1/2" GPT		1

- ▲ *Not shown on Parts Diagram.*
- ✘ *This part is included in an assembly and cannot be ordered individually.*
- ◆ *Only available with models factory installed with i-Pilot or i-Pilot Link.*
- *Only available with models factory installed with CoPilot.*



RIPTIDE POWERDRIVE STEERING HOUSING >

> Steering Housing Parts Diagram



PARTS DIAGRAM & PARTS LIST

› Steering Housing Parts List

Assembly	Part #	Description	Notes	Quantity
BB	2771827	DRIVE HOUSING ASSY, RT SP		1
Item	Part #	Description	Notes	Quantity
206	2307050	MOTOR DR.HSG PD/AP 12,24V		1
208	2302543	CASE-UPPER,ALUM, SW - WHITE		1
210	2302562	CASE-LOWER, ALUM, SW - WHITE		1
212	2303408	SCREW-#8-32 TYPE F TORX PH SS		6
214	2308601	BREATHER FILTER, DR.HOUSING		1
216	2302610	SHAFT-GEAR, FIRST CLUSTER		1
218	2302615	SHAFT-GEAR,INTERMED.CLUSTER		1
220	2302620	SHAFT-GEAR, THIRD CLUSTER		1
222	2302245	GEAR & PINION,DR. HSG, STAGE 2		1
224	2302250	GEAR & PINION,DR. HSG, STAGE 3		1
226	2302255	GEAR & PINION,DR. HSG, STAGE 4		1
228	2302260	GEAR-OUTPUT SHAFT,STG 5		1
230	2302010	SHAFT-OUTPUT, DR.HOUSING		1
232	2307304	BUSHING-INNER, UPPER/LOWER		2
234	2307305	BUSHING-OUTER, UPPER/LOWER		2
236	2304603	O-RING-SHAFT SEAL UPPER/LOW		2
238	2304604	O-RING-CASE SEAL		1
240	2307201	LEVER,GRIP GLIDE II		1
242	2302750	SPRING-LATCH,TORSION,PD/AP,S/S		1
244	2302628	PIN-ROLL,3/16 X 2.5" SS		1
246	2305641	DECAL - STOW/DEPLOY; POWERDRIVE		1
248	2302605	PIN-ROLL 5/16" X 1/2"		4

▲ Not shown on Parts Diagram.

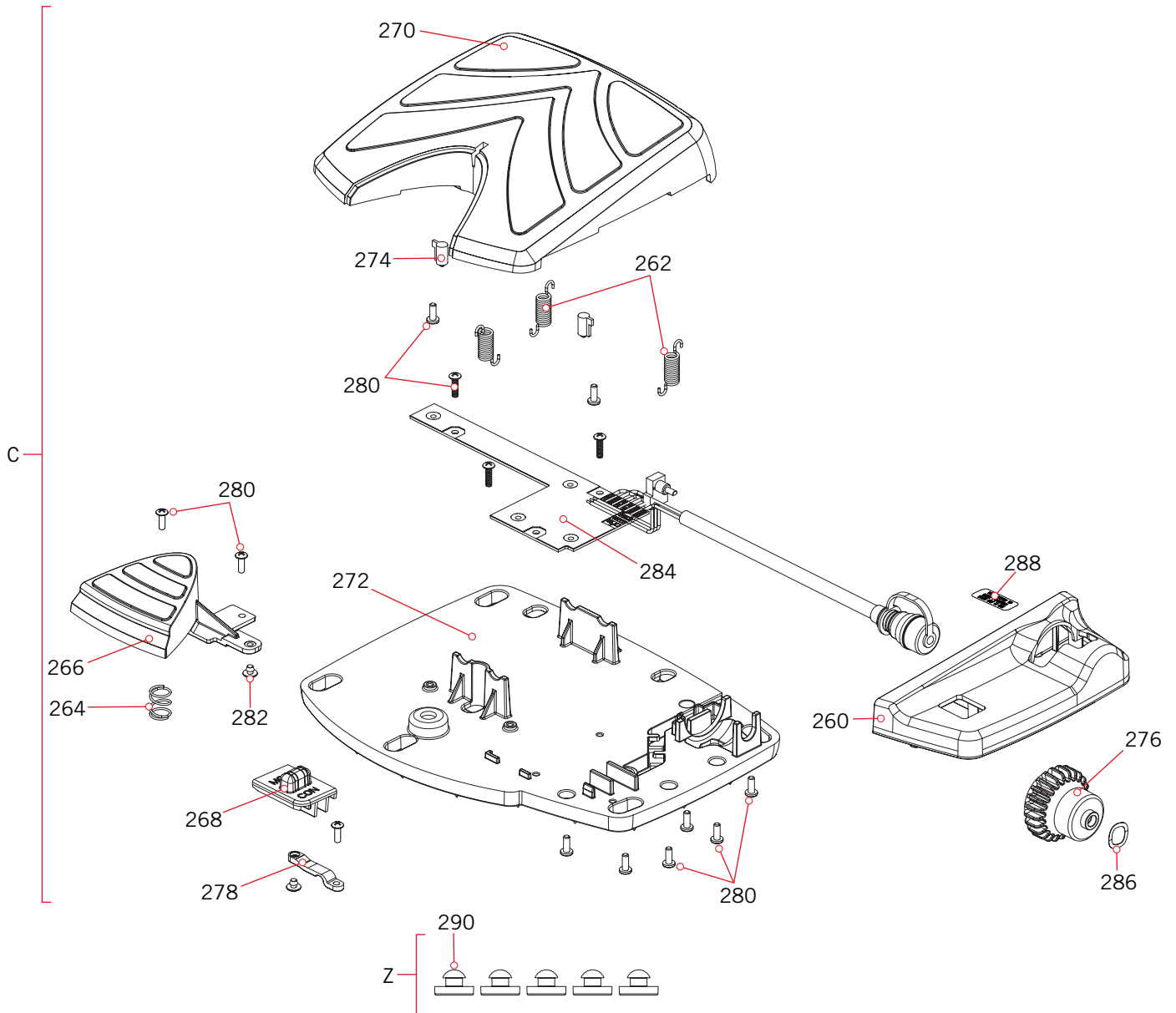
✘ This part is included in an assembly and cannot be ordered individually.

◆ Only available with models factory installed with i-Pilot or i-Pilot Link.

● Only available with models factory installed with CoPilot.

RIPTIDE POWERDRIVE FOOT PEDAL >

> Foot Pedal Parts Diagram



PARTS DIAGRAM & PARTS LIST

Foot Pedal Parts List

Assembly	Part #	Description	Notes	Quantity
C	2994728	FOOT PEDAL ASSEMBLY, PD		1
Z	2994859	BAG ASY-TERROVA/V2,RUB.BUMPERS		1
Item	Part #	Description	Notes	Quantity
260	2300275	COVER-SPEED SELECTOR,PD FP,BLK		1
262	2302730	SPRING-LONG-UPPER PEDAL		3
264	2302732	SPRING-LOWER PEDAL S/S		1
266	2303725	BUTTON-MOMENTARY, PD FP, BLK		1
268	2303730	BUTTON-MOM/CON, PD FP, BLK		1
270	2304406	PEDAL, STRG ROCKER, PD FP, BLK		1
272	2304508	BASE, PEDAL PD		1
274	2305136	BUMPER,STRG RCKR,PD FP,RUBBER		2
276	2307905	WHEEL-SPEED, PD FP, BLK		1
278	2308609	SWITCH LEVER, SINGLE		1
280	2302105	SCREW #6-19 X 3/8 HIGH-LOW SS		14
282	2335130	BUMBER ACTUATOR		2
284	2994053	PCB/CTRL CORD, PD FT PEDAL		1
286	2301750	WASHER, WAVE, PD V3 FP		1
288	2316600	DECAL-ON/OFF SWITCH/PD V2 PED		1
290	2325110	PAD, FOOT PEDAL PD		5

▲ Not shown on Parts Diagram.

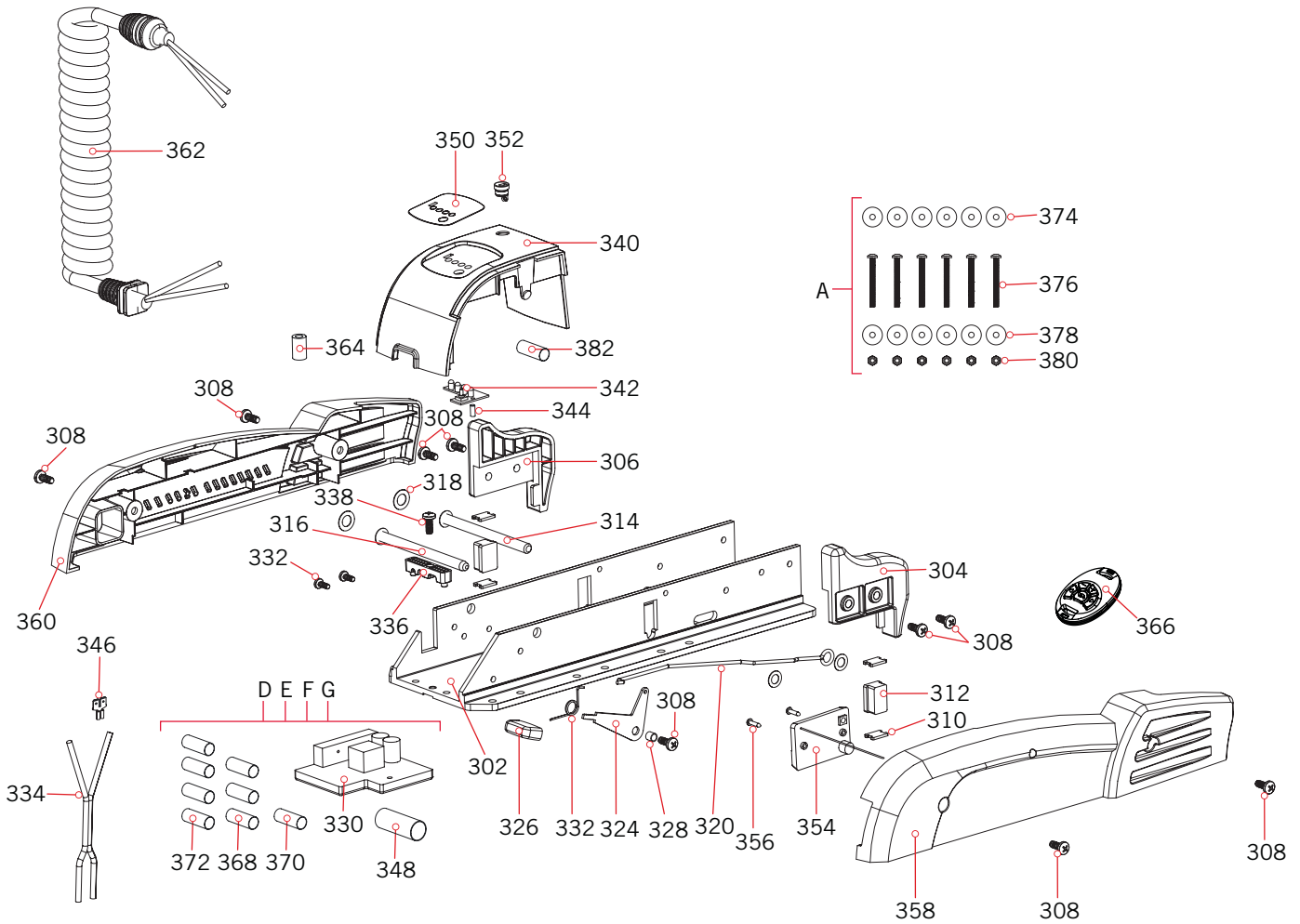
✘ This part is included in an assembly and cannot be ordered individually.

◆ Only available with models factory installed with i-Pilot or i-Pilot Link.

● Only available with models factory installed with CoPilot.

RIPTIDE POWERDRIVE MOUNT

Mount Parts Diagram



PARTS DIAGRAM & PARTS LIST

Mount Parts List

Assembly	Part #	Description	Notes	Quantity
A	2994864	BAG ASSEMBLY - (BOLT, NUT, WASHERS)		1
D	2884058	CONTROL BOARD-24V V2 W AP W/SHRNK	*AUTOPILOT*	1
E	2884055	CONTROL BRD-12V V2 W/O AP W/SHRNK		1
F	2884057	CONTROL BOARD-12V V2 W/AP W/SHRNK	*AUTOPILOT*	1
G	2884056	CONTROL BRD-24V V2 W/O AP W/SHRNK		1
Item	Part #	Description	Notes	Quantity
302	2301937	EXTRUSION BASE PD V2	*SALTWATER*	1
304	2303932	MOTOR REST-RIGHT, 3 5/8"		1
306	2303937	MOTOR REST-LEFT, 3 5/8"		1
308	2332104	SCREW-1/4-20 X 5/8 S/S	*SALTWATER*	9
310	2335110	PAD-PIVOT SUPPORT(SS)	*SALTWATER*	4
312	2305103	PIVOT PAD,559 FB DUROMETER 90A		2
314	2330510	PIN-LATCH (PD BASE)SS	*SALTWATER*	1
316	2330520	PIN-PIVOT (PD BASE)SS	*SALTWATER*	1
318	2333100	NUT-SPEED (SS)	*SALTWATER*	4
320	2303612	ROD-RELEASE (RT/AP) S/S		1
322	2322700	SPRING-TORSION		1
324	2333705	LEVER-RELEASE S/S	*SALTWATER*	1
326	2300101	RELEASE-KNOB		1
328	2301700	SPACER-RELEASE LEVER-BRASS		1
330	2304067	CONTROL BOARD-24V V2 W/AP	*AUTOPILOT*	1
	2304064	CONTROL BRD-12V V2 W/O AP		1
	2304066	CONTROL BOARD-12V V2 W/AP	*AUTOPILOT*	1
	2304065	CONTROL BRD-24V V2 W/O AP		1
332	2303434	SCREW-#8-32 X 5/8 MACH PHCR SS		3
334	2090651	LEADWIRE,10 GA, PD/GENESIS		1
336	2321310	STRAIN RELIEF		1
338	2323405	SCREW-1/4-20 X 1/2" MCH SS		1
340	2306571	HOUSING-CENTER RT-WHITE	*SALTWATER*	1
342	2074081	BATTERY METER, 24V	*SALTWATER* *70LB*	1
	2074080	BATTERY METER, 12V	*SALTWATER* *55LB*	1
344	2383428	SCREW-#4-24 X 5/8 HI-LO SS		1
346	2320710	TERMINAL-AMP (T-TAB)		1
348	2325401	SHRINK TUBE-3/4 ID X 2" W/ADHS		1
350	2305642	DECAL,BATTERY METER PD V2 SW	*SALTWATER*	1

▲ Not shown on Parts Diagram.

✳ This part is included in an assembly and cannot be ordered individually.

◆ Only available with models factory installed with i-Pilot or i-Pilot Link.

● Only available with models factory installed with CoPilot.

PARTS DIAGRAM & PARTS LIST



Item	Part #	Description	Notes	Quantity
352	2302935	STRAIN RELIEF-DR. HOUSING		1
354	2994112 ●	TRANS/REC ASY PD V2 SW	*COPILOT ONLY* *SALTWATER*	1
356	2373418 ●	SCREW-#8 X 5/8 PPHSMS S/S	*COPILOT ONLY* *SALTWATER*	2
358	2303982	SIDEPLATE-RIGHT RT-WHITE	*SALTWATER*	1
360	2303987	SIDEPLATE-LEFT RT-WHITE	*SALTWATER*	1
362	2991280	COIL CRD W/STRN RLF, PD 48"/54"		1
364	2307313	BEAD-FERRITE		1
366	2994020 ●	TRASMTR, ASY, PD/AP COPLT	*COPILOT ONLY* *SALTWATER*	1
368	2305410	SHRINK TUBE-.315 OD X 2.25"	*SALTWATER*	3
370	2305415	SHRINK TUBE-.472 ID X 2.25"	*SALTWATER*	1
372	2305403	SHRINK TUBE-.500 IDX1.0" ADHSV	*SALTWATER*	4
374	2263462	SCREW-1/4-20 X 2" S/S PPH ADJT		6
376	2261713	WASHER-1/4 FLAT 18-8 SS		6
378	2263103	NUT-1/4-20 NYLOCK SS		6
380	2301720	WASHER-MOUNTING - RUBBER		6
382	2375400	SHRINK		1

- ▲ Not shown on Parts Diagram.
- ✘ This part is included in an assembly and cannot be ordered individually.
- ◆ Only available with models factory installed with i-Pilot or i-Pilot Link.
- Only available with models factory installed with CoPilot.



RECOMMENDED ACCESSORIES

› ON-BOARD & PORTABLE BATTERY CHARGERS

Stop buying new batteries and start taking care of the ones you've got. Many chargers can actually damage your battery over time – creating shorter run times and shorter overall life. Digitally controlled Minn Kota chargers are designed to provide the fastest charge that protect and extend battery life.



MK212PC



MK210D



MK110PD

› TALON SHALLOW WATER ANCHOR

Introducing the all-new, sleek redesigned Talon. Talon is the only shallow water anchor with up to 15' of anchoring depth, multiple anchoring modes, and control from the bow, transom, console, remote or mobile device.



BUILT-IN WORK LIGHT

Lets you tie lines and work from the transom any time of day — or night. Includes both white and blue LED lights with three brightness settings.



UP TO 15' DEEP

Control more water and catch more fish with the first 15' shallow water anchor.



MORE CONTROL OPTIONS

- Control Panel
- Wireless Remote
- Mobile App
- Wireless Foot Switch
- Humminbird® Connectivity
- i-Pilot® & i-Pilot Link™ Remote



BLUETOOTH® CONNECTIVITY

Lets you control Talon from your mobile device and easily update it. Also opens up communication to other control options.

› MINN KOTA ACCESSORIES

We offer a wide variety of trolling motor accessories, including:

- 60-Amp Circuit Breaker
- Mounting Brackets
- Stabilizer Kits
- Extension Handles
- Battery Connectors
- Battery Boxes
- Quick Connect Plugs





RIPTIDE POWERDRIVE

PROPULSEUR ÉLECTRIQUE MONTÉ SUR L'ÉTRAVE

Manuel du Propriétaire

INTRODUCTION

MERCI

Nous vous remercions d'avoir choisi Minn Kota. Nous sommes persuadés que vous devriez consacrer plus de temps à pêcher et moins de temps à amarrer votre embarcation. C'est pourquoi nous construisons les propulseurs électriques les plus intelligents, les plus solides et les plus faciles à utiliser. Chaque aspect d'un propulseur électrique Minn Kota est réfléchi et étudié jusqu'à ce qu'il soit digne de porter notre nom. Nous avons investi des heures incalculables de recherche et d'essais pour vous offrir les avantages caractéristiques de Minn Kota, qui vous mène vraiment n'importe où, et n'importe quand. Notre principe est simple, nous faisons les choses selon les règles. Nous sommes Minn Kota. Et nous ne cesserons jamais de vous aider à pêcher plus de poissons.

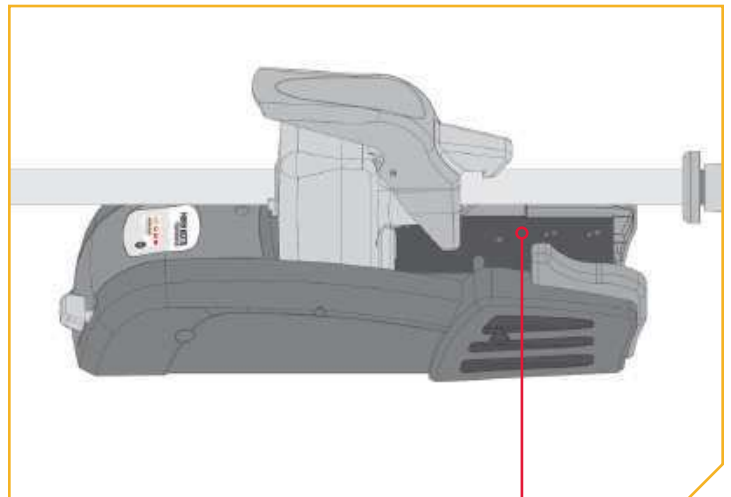
ENREGISTREMENT

N'oubliez pas de conserver votre reçu et d'enregistrer immédiatement votre propulseur électrique. Une fiche d'enregistrement est fournie avec votre moteur; vous pouvez également effectuer l'enregistrement sur notre site Web à minnkotamotors.com.

NUMÉRO DE SÉRIE

Le numéro de série à 11 caractères Minn Kota est très important. Cela permet de déterminer le modèle spécifique et l'année de fabrication. Lorsque vous contactez le Service à la clientèle ou que vous enregistrez votre article, vous aurez besoin du numéro de série de votre article. Nous vous suggérons de noter le numéro de série afin qu'il soit disponible à des fins de référence future.

AVIS : Le numéro de série de votre Riptide PowerDrive se trouve à l'intérieur du support, sous le point d'appui du moteur.



INFORMATION SUR LE MOTEUR (À des Fins de Référence Par le Client Seulement)

Modèle: _____

Numéro de Série: _____

Date de l'achat: _____

Magasin où l'achat a été effectué: _____

AVIS : Ne retournez pas votre moteur Minn Kota au détaillant. Le détaillant n'est pas autorisé à réparer ou à remplacer cet appareil. Pour le service : communiquer avec Minn Kota au (800) 227-6433; retourner le moteur au Centre de service de l'usine de Minn Kota; envoyer ou apporter le moteur à un centre de service agréé de Minn Kota. Une liste de centres de service agréés est disponible sur notre site Web, à minnkotamotors.com. Pour obtenir un service au titre de la garantie, y compris toutes les options susmentionnées, veuillez inclure la preuve d'achat, le numéro de série et la date de l'achat.

TABLE DES MATIÈRES

CONSIGNES DE SÉCURITÉ	56
GARANTIE	57
CONNAISSEZ VOTRE BATEAU	58
CARACTÉRISTIQUES	59
INSTALLATION	60
Installation du Riptide PowerDrive.....	61
INSTALLATION DES BATTERIES ET DU CÂBLAGE	66
Grément de l'Embarcation et Installation du Produit.....	66
Tableau des Dimensions de Gabarit des Conducteurs et Disjoncteurs.....	66
Comment Sélectionner une Batterie Adéquante.....	67
Autres Points à Considérer.....	67
Comment Raccorder la Batterie.....	68
Connexion des Batteries en Série.....	69
SCHÉMA DE CÂBLAGE DU MOTEUR	70
UTILISATION ET RÉGLAGE DU MOTEUR	72
Caractéristiques du Support.....	72
Arrimage et Déploiement du Moteur.....	73
Indicateur d'état de Batterie "Appuyer Pour Tester".....	73
Réglage de la Profondeur du Moteur.....	73
Réglage de la Bague de Verrouillage.....	74
Installation d'un Transducteur Externe.....	75
Ajustement de l'Appareil Inférieur pour un Arrimage Sûr.....	76
UTILISATION DE LA PÉDALE	77
Contrôle de la Vitesse et de la Direction Avec la Pédale.....	77
COPILOT	79
Commande du Moteur avec CoPilot.....	79
Utilisation Générale de CoPilot.....	79
Modes Audio.....	80
Ajout/Retrait de Télécommandes.....	81
Pour Coupler des Télécommandes.....	81
Pour Effacer Toutes les Télécommandes du Récepteur.....	81
Remplacement de la Pile.....	82
SERVICE ET ENTRETIEN	84
Remplacement de l'Hélice.....	84
Entretien Général.....	85
Dépannage.....	85
Dépannage de CoPilot.....	86
DÉCLARATIONS DE CONFORMITÉ	87
SCHÉMA DES PIÈCES ET LISTE DES PIÈCES	89

CONSIGNES DE SÉCURITÉ

Veillez lire attentivement ce manuel de l'utilisateur. Suivez toutes les instructions, et respectez toutes les consignes de sécurité et mises en garde. L'utilisation de ce moteur n'est autorisée que pour les personnes qui ont lu et compris ces consignes pour l'utilisateur. Les personnes mineures peuvent utiliser ce moteur uniquement sous la supervision d'un adulte.

AVERTISSEMENT

Vous seul êtes responsable de la navigation sécuritaire et prudente sur votre bateau. Nous avons conçu votre Minn Kota pour qu'il soit un outil précis et fiable qui vous permettra d'améliorer l'utilisation de votre bateau et d'accroître votre capacité de pêcher des poissons. Ce produit ne vous exonère pas de la responsabilité de naviguer en toute sécurité avec votre bateau. Vous devez éviter les dangers liés à la navigation et toujours exercer une veille permanente afin de pouvoir réagir au fur et à mesure que les situations se présentent. Vous devez toujours être prêt à reprendre le contrôle manuel de votre bateau. Apprenez à utiliser votre Minn Kota dans une zone exempte de dangers et d'obstacles.

AVERTISSEMENT

Ne faites jamais fonctionner le moteur hors de l'eau, puisque cela entraînerait des blessures causées par l'hélice en rotation. Le moteur doit être débranché de la source d'alimentation lorsqu'il n'est pas utilisé ou lorsqu'il est hors de l'eau. Au moment de brancher les câbles d'alimentation du moteur à la batterie, veiller à ce qu'ils ne soient pas entortillés ou exposés au frottement, puis les placer de telle manière que personne ne risque de trébucher. Avant d'utiliser le moteur, s'assurer que l'isolant des câbles d'alimentation n'est pas endommagé. Ne pas tenir compte de ces mesures de sécurité peut entraîner des courts-circuits avec les batteries et/ou le moteur. Toujours débrancher le moteur des batteries avant le nettoyage ou la vérification de l'hélice. Éviter de submerger complètement le moteur, car l'eau pourrait pénétrer dans l'appareil inférieur par la tête de contrôle et l'arbre. Si le moteur est utilisé alors que de l'eau est présente dans l'appareil inférieur, ce dernier pourrait subir des dommages considérables. Ces dommages ne seront pas couverts par la garantie.

AVERTISSEMENT

Veillez à ce que ni vous, ni les autres personnes ne s'approchent trop près de l'hélice en rotation, que ce soit seulement avec une partie du corps ou des objets. Le moteur est puissant et pourrait provoquer des situations périlleuses ou des blessures, pour vous ou les autres. Lorsque le moteur est en marche, se méfier des objets flottants ou des personnes qui pourraient être en train de nager. Les personnes, dont les réactions ou la capacité à faire fonctionner le moteur est/sont affaiblie (s) par l'alcool, la drogue, les médicaments ou d'autres substances, ne sont pas autorisées à utiliser ce moteur. Ce moteur n'est pas adapté à l'utilisation dans de forts courants. Le niveau de pression sonore constant du moteur au moment de l'utilisation est inférieur à 70 dB (A). Le niveau de vibration général ne dépasse pas 2,5 m/s².

AVERTISSEMENT

Lorsque vous remontez ou abaissez le moteur, gardez vos doigts loin de toutes charnières et tous points de pivot ainsi que de toutes pièces mobiles. En cas d'opération imprévue, retirez les câbles d'alimentation à la batterie.

AVERTISSEMENT

Il est recommandé d'utiliser exclusivement les accessoires approuvés par Johnson Outdoors avec votre moteur Minn Kota. L'utilisation d'accessoires non approuvés, y compris pour monter ou contrôler votre moteur, pourrait causer des dommages, un fonctionnement inattendu du moteur et des blessures. Veillez à utiliser le produit ainsi que les accessoires approuvés, y compris les télécommandes, en toute sécurité et de la manière indiquée pour éviter les accidents ou un fonctionnement inattendu du moteur. Ne retirez pas les pièces installées en usine, y compris les couvercles, boîtiers et protections du moteur et des accessoires.

GARANTIE

GARANTIE LIMITÉE DES MOTEURS DE PÊCHE À LA TRAÎNE EN EAU SALÉE MINN KOTA

Johnson Outdoors Marine Electronics, Inc. (« JOME ») offre la garantie limitée suivante uniquement à l'acheteur au détail initial. La garantie n'est pas transférable.

Garantie Limitée De Deux Ans De Minn Kota Sur L'ensemble Du Produit

JOME garantit à l'acheteur au détail initial seulement que son nouveau moteur de pêche à la traîne en eau salée Minn Kota est exempt de défauts résultant d'un vice de fabrication et de main-d'œuvre pour une période de deux (2) ans suivant la date d'achat. JOME se réserve le droit de réparer ou de remplacer, au choix et gratuitement, toute pièce pouvant s'avérer défectueuse pendant la durée de la présente garantie. Cette réparation ou ce remplacement est l'unique et exclusive responsabilité de JOME et constitue le seul recours de l'acheteur pour tout manquement à la présente garantie.

Garantie À Vie Limitée De Minn Kota Sur L'arbre Composite

JOME garantit uniquement à l'acheteur au détail initial que l'arbre composite de son propulseur électrique Minn Kota est exempt de défauts résultant d'un vice de fabrication et de main-d'œuvre pouvant survenir au cours de la durée de vie de l'acheteur initial. JOME fournira, gratuitement, un arbre composite neuf pour remplacer tout arbre composite pouvant s'avérer défectueux pendant la durée de la présente garantie. Fournir un arbre composite neuf sera la seule et exclusive responsabilité de JOME et le seul et unique recours de l'acheteur pour tout manquement à la présente garantie; **et l'acheteur sera responsable de l'installation ou du coût de la main-d'œuvre pour l'installation de tout arbre composite neuf, fourni par JOME.**

Exclusions & Limitations

La présente garantie limitée ne s'applique pas aux produits qui ont été utilisés en eau salée, en eau saumâtre ou à des fins commerciales ou locatives. Cette garantie ne couvre pas l'usure normale, les imperfections qui n'affectent pas le fonctionnement du moteur, ni les dommages causés par les accidents, l'abus, l'altération, la modification, les dommages durant le transport, les désastres naturels, la négligence de l'utilisateur, l'utilisation abusive, un soin ou un entretien inadéquat. **LES DOMMAGES CAUSÉS PAR L'UTILISATION DE PIÈCES DE REMPLACEMENT NON CONFORMES AUX SPÉCIFICATIONS DE CONCEPTION DES PIÈCES ORIGINALES NE SONT PAS COUVERTS PAR LA PRÉSENTE GARANTIE LIMITÉE.** Le coût de l'entretien normal ou des pièces de rechange qui ne contreviennent pas à la garantie limitée incombe à l'acheteur. Avant utilisation, l'acheteur doit déterminer si le produit convient à l'emploi prévu et assume tous les risques et responsabilités connexes. Toute assistance fournie par JOME à l'acheteur ou au nom de ce dernier hors du cadre des modalités, des restrictions et des exclusions de la présente garantie limitée ne constitue pas une renonciation à l'égard de telles modalités, restrictions ou exclusions, et une telle assistance n'aura pas pour effet de prolonger ni de restaurer la garantie. JOME ne remboursera aucune dépense encourue par l'acheteur dans le cadre de la réparation, de la correction ou du remplacement de pièces ou de produits défectueux, à l'exception des dépenses engagées sur consentement écrit préalable de JOME. **LA RESPONSABILITÉ GLOBALE DE JOME À L'ÉGARD DES PRODUITS COUVERTS PAR LA GARANTIE EST LIMITÉE À UN MONTANT ÉQUIVALENT AU PRIX D'ACHAT PAYÉ POUR LE PRODUIT EN QUESTION.**

Information Sur Le Service Minn Kota

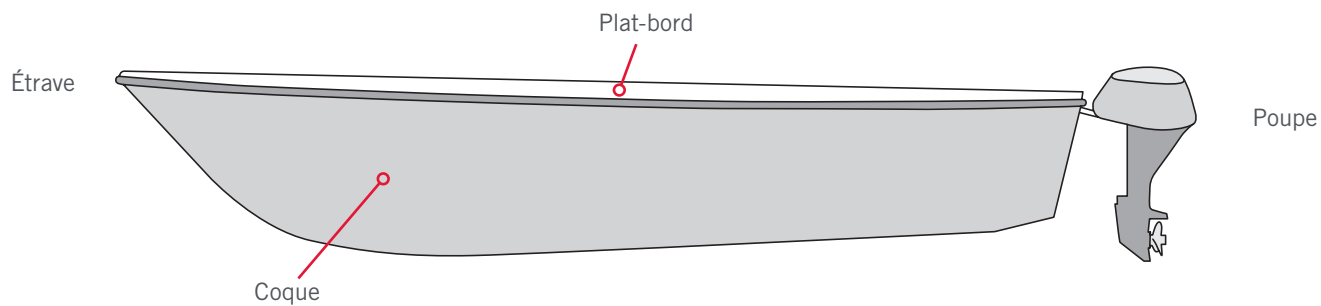
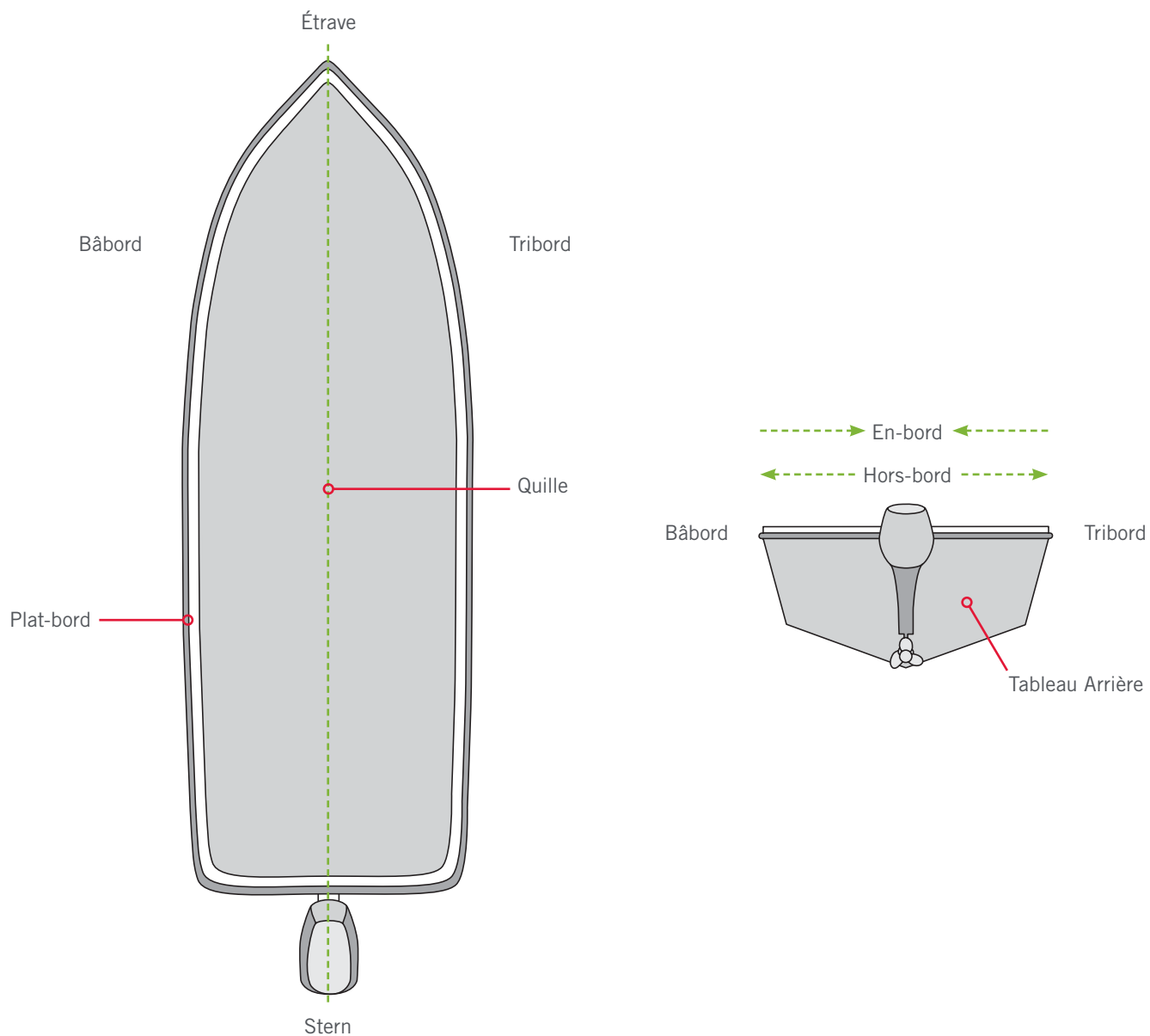
Pour obtenir le service au titre de la garantie aux États-Unis, le produit jugé défectueux et la preuve d'achat originale (comportant la date d'achat), doivent être présentés à un centre de service agréé Minn Kota ou au centre de service de l'usine de Minn Kota à Mankato, au Minnesota. Tous les frais encourus pour des appels de service, de transport ou d'expédition à destination ou à partir du centre de service agréé ou de l'usine Minn Kota, de main-d'œuvre pour transporter, retirer, réinstaller ou regréer les articles retirés pour le service de garantie, ou tout autre élément similaire, sont sous la seule et unique responsabilité unique et exclusive de l'acheteur. Les articles achetés à l'extérieur des États-Unis doivent être retournés, port payé avec la preuve d'achat (y compris la date d'achat et le numéro de série), à tout centre de service agréé Minn Kota dans le pays de l'achat. Le service au titre de la garantie peut être obtenu en communiquant avec le centre de service agréé de Minn Kota ou l'usine au +1 (800) 227-6433 ou par courriel à l'adresse suivante service@minnkotamotors.com. **Les produits réparés ou remplacés seront garantis pour la durée restante de la période de garantie initiale [ou pendant 90 jours à compter de la date de réparation ou de remplacement, la période la plus longue étant retenue]. Tout produit retourné aux fins de services en vertu de la garantie qui, selon JOME, n'est pas couvert par la garantie limitée ou n'y contrevient pas sera facturé pour les services rendus au taux horaire de main-d'œuvre affiché en vigueur, pour une facturation minimale d'une heure.**

AVIS : Ne pas retourner l'article Minn Kota au détaillant. Le détaillant n'est pas autorisé à le réparer ou à le remplacer.

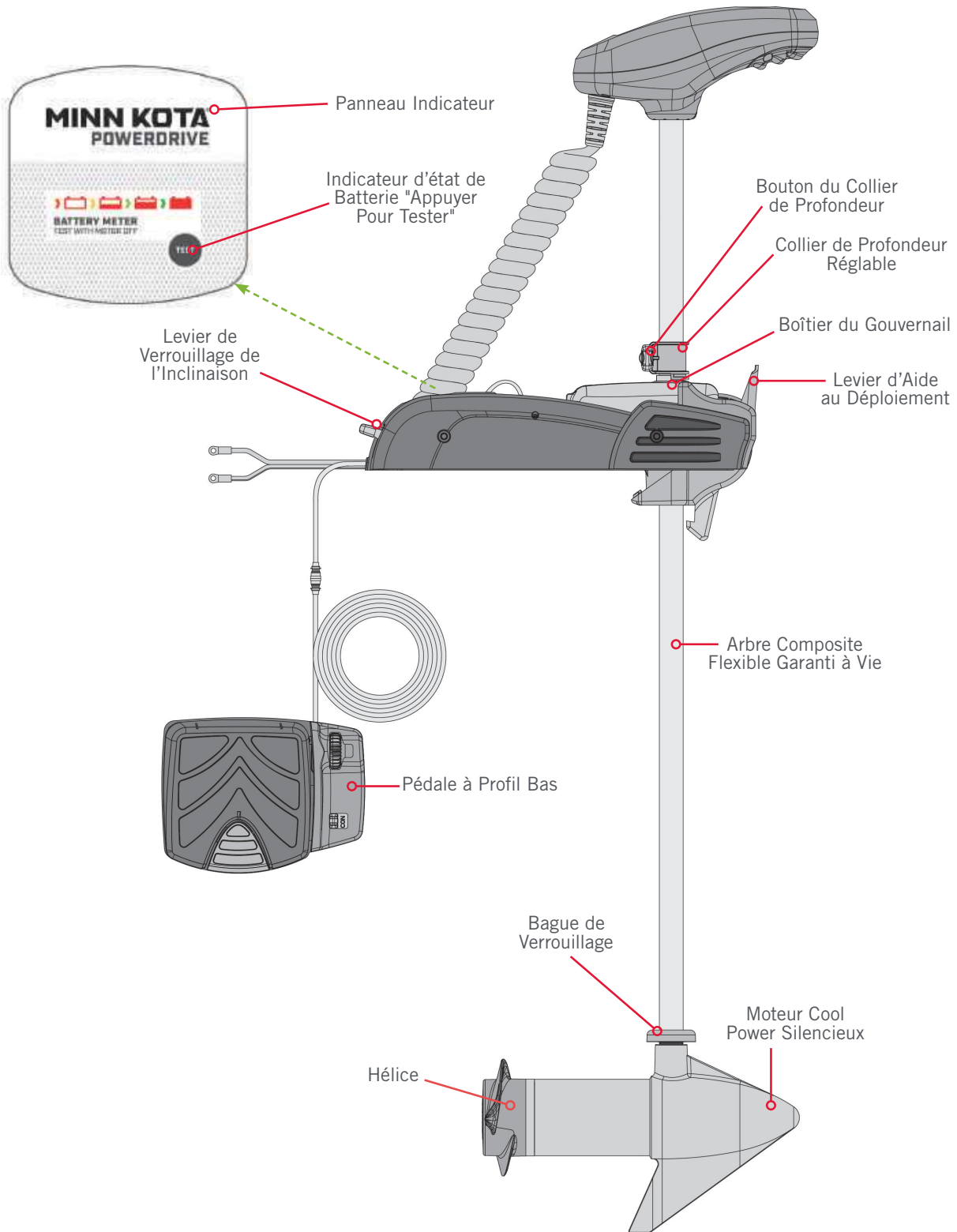
AVIS : IL N'Y A AUCUNE GARANTIE EXPRESSE AUTRE QUE LES PRÉSENTES GARANTIES LIMITÉES. AUCUNE GARANTIE IMPLICITE, Y COMPRIS QUELQUE GARANTIE IMPLICITE DE QUALITÉ MARCHANDE OU D'ADÉQUATION À UN USAGE PARTICULIER, NE SE PROLONGERA AU-DELÀ DE LA DURÉE DE LA PRÉSENTE GARANTIE LIMITÉE EXPRESSE. JOME NE POURRA EN AUCUNE FAÇON ÊTRE TENUE RESPONSABLE DES DOMMAGES PUNITIFS, INDIRECTS, ACCESSOIRES, CONSÉCUTIFS OU PARTICULIERS. Sans limiter la portée de ce qui précède, JOME décline toute responsabilité en cas de perte d'utilisation du produit, perte de temps, d'inconvénient et d'autre dommage.

Certains états ne permettent pas de limites sur la durée d'une garantie implicite ou l'exclusion ou limitation des dommages accessoires ou indirects, donc, les limitations ou exclusions ci-dessus peuvent ne pas s'appliquer à vous. La présente garantie vous donne des droits légaux spécifiques et vous pouvez également bénéficier d'autres droits qui varient d'un État à l'autre.

CONNAISSEZ VOTRE BATEAU



CARACTÉRISTIQUES



AVIS : Les spécifications peuvent faire l'objet de modifications sans préavis. Le schéma est fourni aux fins de référence seulement et peut différer de votre moteur actuel.

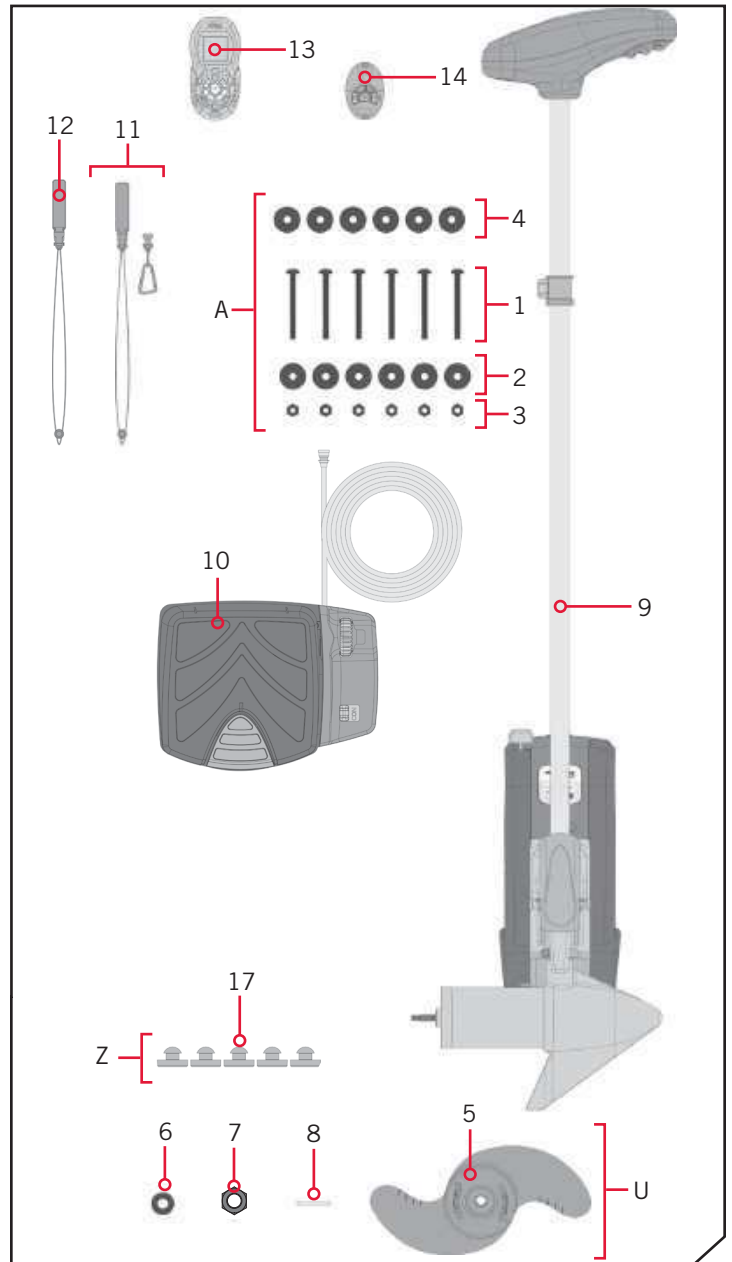
INSTALLATION

INSTALLATION DU RIPTIDE POWERDRIVE

Votre nouveau Riptide PowerDrive est livré avec tout ce dont vous aurez besoin pour l'installer directement sur le bateau. Ce moteur peut être monté directement sur le bateau ou couplé avec un support à dégagement rapide Minn Kota pour un montage et un démontage simples. Pour l'installation avec un support à dégagement rapide, vous reporter aux directives d'installation fournies avec le support. Pour obtenir des supports de montage à dégagement rapide compatibles ou pour trouver votre concessionnaire le plus près, visitez minnkotamotors.com. Pour installer le moteur directement sur le bateau, veuillez suivre les directives fournies avec ce manuel. Avant de commencer, veuillez examiner la liste des pièces et des outils nécessaires à l'installation. Pour davantage de soutien pour les produits, veuillez visiter minnkotamotors.com.

LISTE DE PIÈCES D'INSTALLATION

Article/ Assemblage	N° de Pièce	Description	Qté.
A	2994864	BAG ASSEMBLY - (BOLT, NUT, WASHERS)	1
1	2263462	BOLT-MOUNTING-1/4X2 W/STG	6
2	2261713	WASHER-1/4	6
3	2263103	NUT NYLOK 1/4-20 MTG	6
4	2301720	WASHER-MOUNTING RUBBER	6
U	1378131	PROP IND 2091160 (WDLS WDGII)	1
5	2091160	PROP-WW2 (3 5/8") REAMED SUB)	1
6	2151726	WASHER-5/16 SS	1
7	2053101	NUT-PROP,NYLOC (MED) 5/16 SS	1
8	2092600	PIN-DRIVE 1.06" LG SS	1
9	*	MOTOR ASSEMBLY	1
10	2994728	FOOT PEDAL ASSEMBLY, PD	1
11	2390800 ♦	LANYARD, REMOTE W/ CARABINER	1
12	2390801 ●	LANYARD, REMOTE *COPILOT*	1
13	2994075 ♦	REMOTE ASY, IPILOT	1
14	2994020 ●	TRANSMTR, ASY, PD/AP COPLT (SUB)	1
▲	2397106	MANUAL, QUICK REF., iPILOT 1.6	1
▲	2317123	MANUAL-INSTALL GUIDE, POWERDRIVE	1
Z	2994859	1	
17	2325110	PAD, FOOT PEDAL PD	5



▲ N'est pas montrée sur le schéma des pièces.

* Cette pièce est incluse dans un ensemble et ne peut pas être commandée individuellement.

♦ Uniquement disponible avec les modèles possédant un système i-Pilot ou i-Pilot Link installé en usine.

● Uniquement disponible avec les modèles possédant un système CoPilot installé en usine.

INSTALLATION DU RIPTIDE POWERDRIVE

FACTEURS DE MONTAGE >

Il est recommandé de monter le moteur aussi près que possible de l'axe du bateau. Vérifiez que la zone sous l'emplacement pour percer des trous et installer des rondelles et des écrous est dégagée. Assurez-vous que le support du moteur est positionné assez loin du bord du bateau. Le moteur ne doit rencontrer aucune obstruction lorsqu'il est dans l'eau ou relevé. Envisagez l'installation d'un support à dégagement rapide ou un adaptateur. Pour la liste complète des accessoires, veuillez visiter minnkotamotors.com.



Découvrez les accessoires disponibles pour votre moteur de pêche à la traîne sur minnkotamotors.com.

OUTILS ET RESSOURCES NÉCESSAIRES >

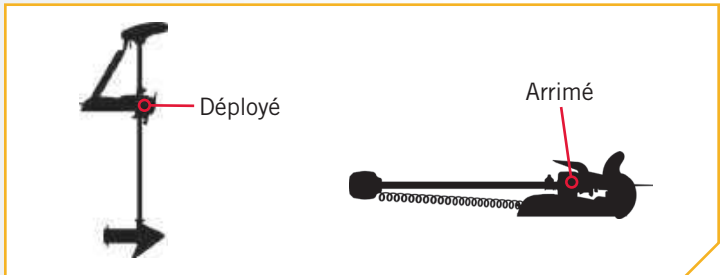
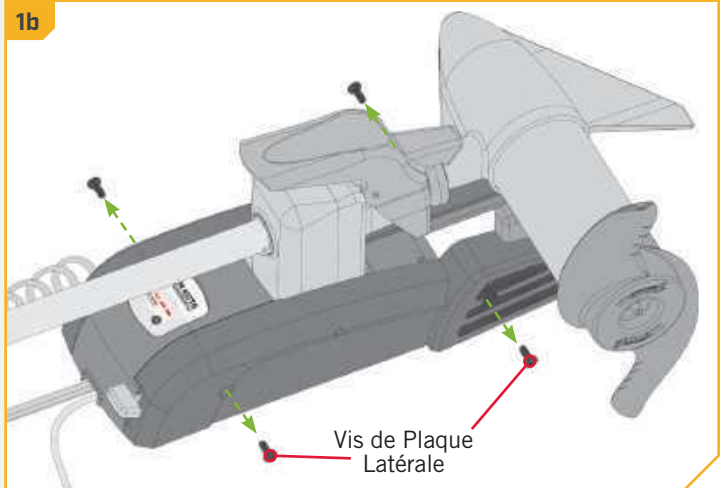
- Tournevis cruciforme n° 3 et n° 2
- Mèche de 9/32 po (7,14 mm)
- Une deuxième personne pour vous aider avec l'installation
- DrPerceuse
- Clé polygonale de 11,11 mm (7/16 po)

INSTALLATION >

INSTALLATION DU RIPTIDE POWERDRIVE

- Placez le support sur une surface élevée, de niveau, comme un établi ou le hayon d'une camionnette. Le moteur, lorsque retiré de la boîte, devrait être en position arrimé.
 - Retirez les quatre vis de la plaque latérale en utilisant un tournevis cruciforme n° 3 ou n° 2. Deux de ces vis seront situées de chaque côté du support.

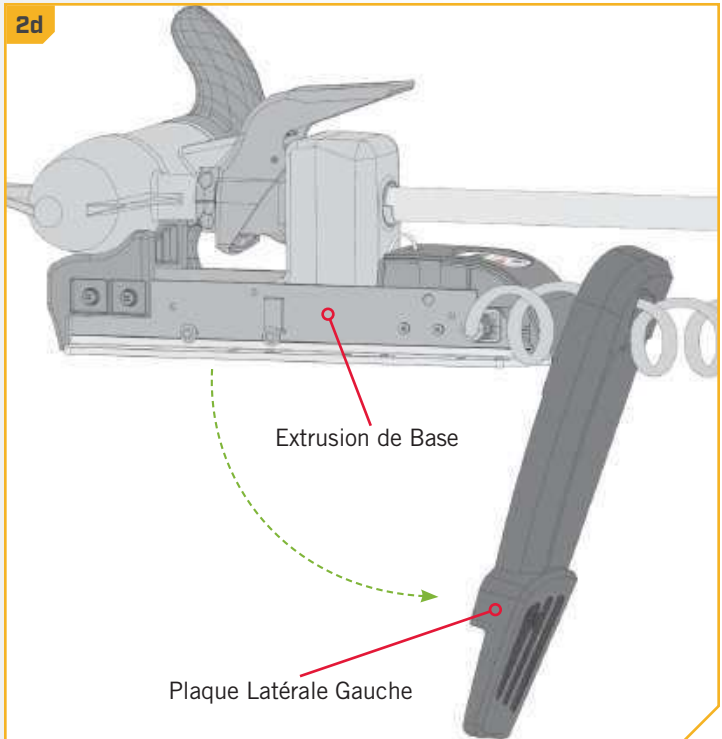
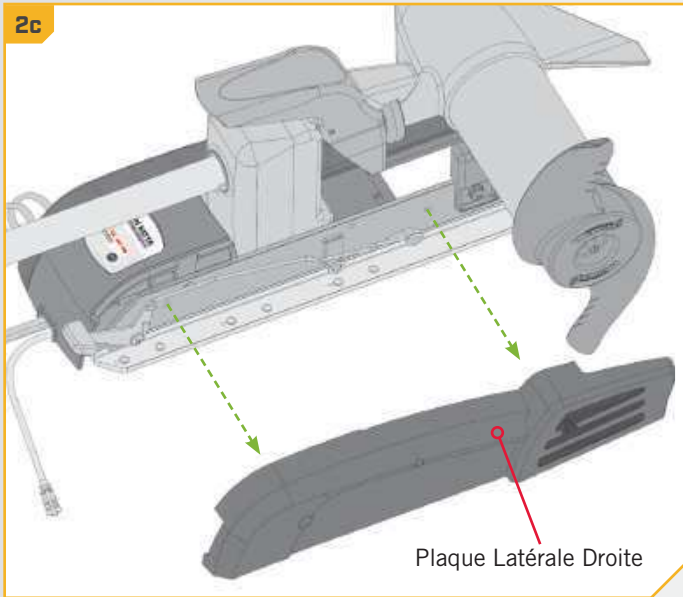
AVIS : Ce moteur pèse environ 30 lb (14 kg). Pour l'installation, nous recommandons de vous faire aider par une deuxième personne.



INSTALLATION DU RIPTIDE POWERDRIVE

2

- c. Enlevez la plaque latérale droite.
- d. Faites pivoter la plaque latérale gauche en l'éloignant de l'extrusion de base.

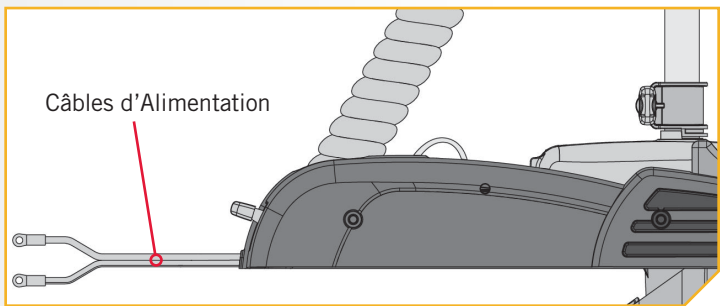


3

- e. Assurez-vous que les câbles d'alimentation de la batterie sont déconnectés, ou que le disjoncteur, le cas échéant, ouvre le circuit.

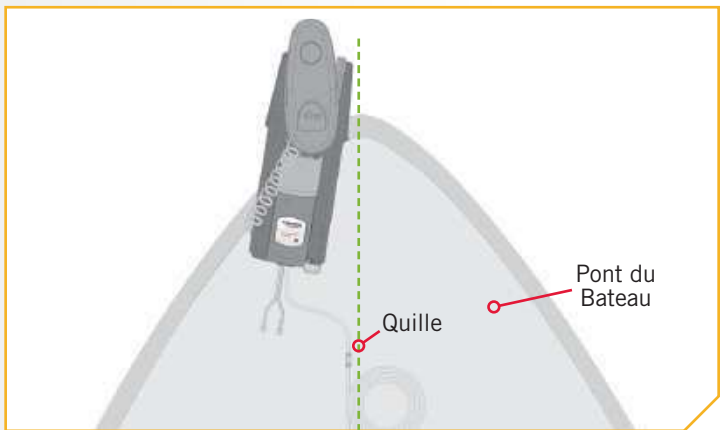
⚠ AVERTISSEMENT

Assurez-vous que le moteur est installé sur une surface plane et n'est pas branché à une source d'alimentation.



4

- f. Placez le support aussi près que possible de la quille ou de l'axe du bateau. Le moteur peut être installé soit sur le côté bâbord ou tribord du bateau, selon la préférence personnelle. Vérifiez l'emplacement avec le moteur dans la position arrimée et déployée. Relisez les facteurs de montage juste avant l'installation.



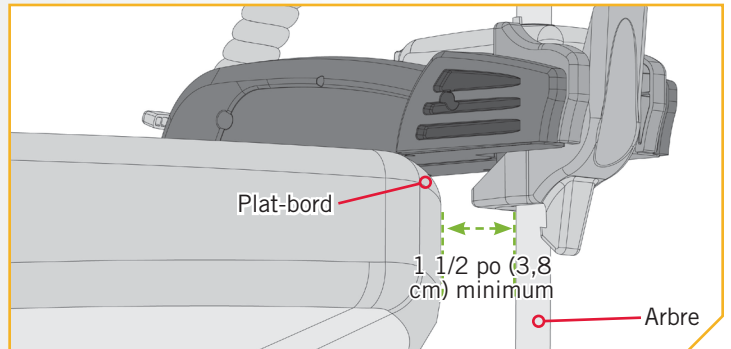
INSTALLATION DU RIPTIDE POWERDRIVE

5

ARTICLE(S) REQUIS

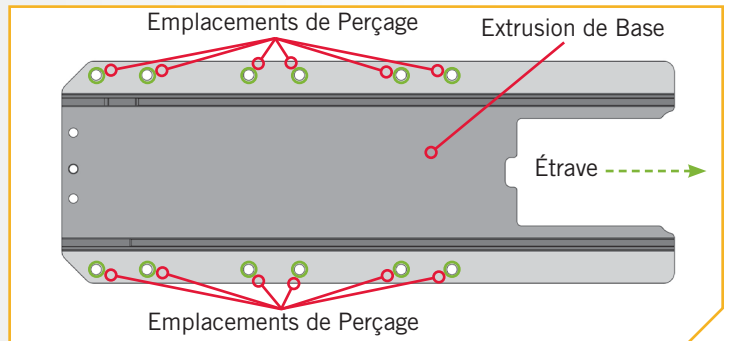
⊙ #4 x 6

- g. Lorsque le moteur est en position déployée, veillez à ce que l'arbre dépasse le plat-bord de 1 1/2 po (3,8 cm). L'appareil inférieur lorsque arrimé et déployé ne doit pas rencontrer d'obstacles.
- h. Assurez-vous que le support est de niveau. Au besoin, utilisez les rondelles de caoutchouc (article n° 4) pour créer une surface au niveau.



6

- i. Il est recommandé de marquer au moins 6 des 12 trous dans l'extrusion de base et d'avoir au moins deux boulons de chaque côté qui sont le plus éloignés l'un de l'autre. Une installation idéale serait d'utiliser 6 boulons avec un minimum de 4.
- j. Percez le pont du bateau à l'aide d'une perceuse 9/32 po (7,4 mm) aux endroits marqués.



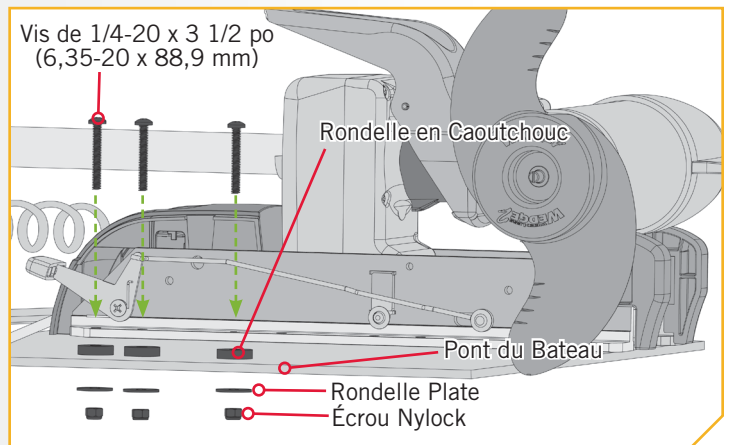
7

ARTICLE(S) REQUIS

⌄ #1 x 6

⊙ #4 x 6

- k. Mettez une vis 1/4-20 x 3 1/2 po (6,35-20 x 88,9 mm) (article n° 1) dans chaque trou percé. La vis doit traverser l'extrusion de base et le pont du bateau. Si les rondelles en caoutchouc (article n° 4) sont utilisées, elles doivent se trouver entre l'extrusion de base et le pont du bateau. Assurez-vous de fixer le moteur avec des vis de chaque côté de l'extrusion de base.



INSTALLATION DU RIPTIDE POWERDRIVE

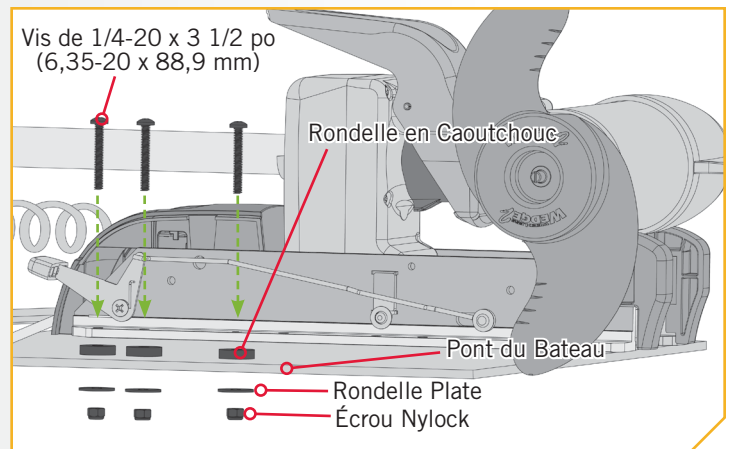
8

ARTICLE(S) REQUIS

- #2 x 6
- #3 x 6

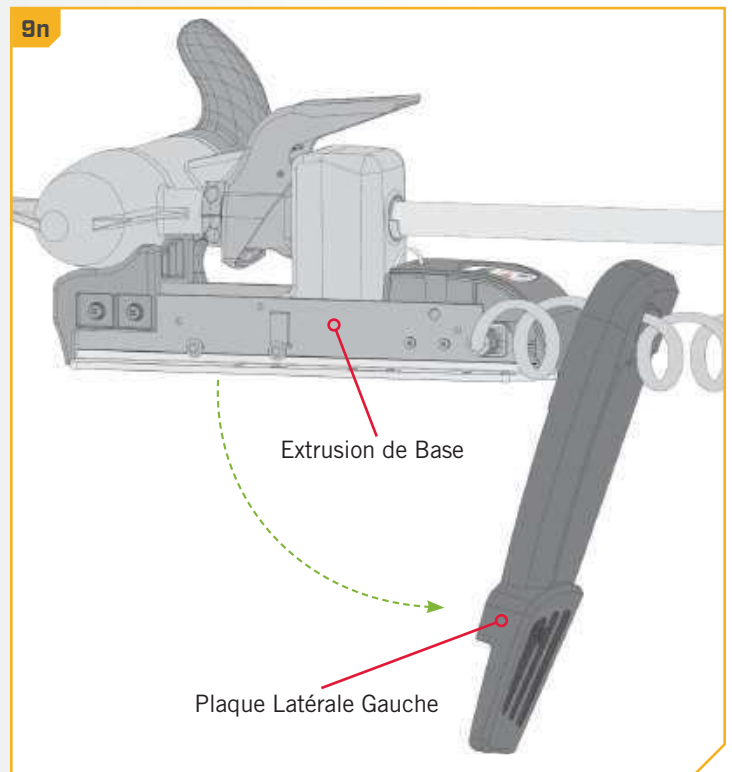
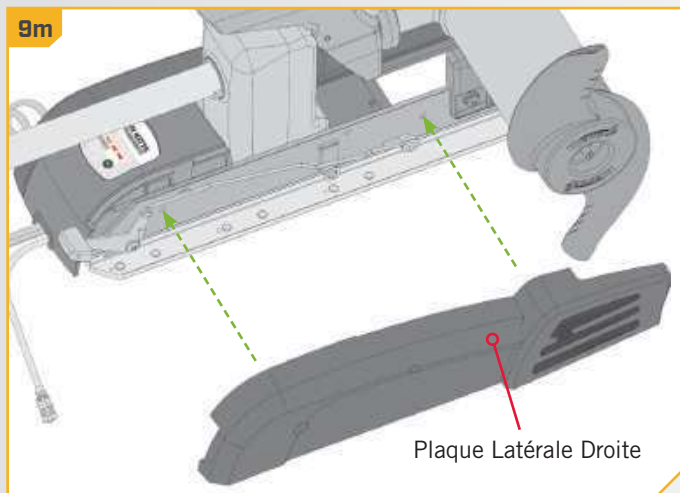
- I. Placez une rondelle plate (article n° 2) puis un écrou Nylock (article n° 3) au bout de chaque vis comme illustré, puis serrez les écrous. Veillez à ce que toute la quincaillerie soit bien fixée.

AVIS : Pour prévenir le grippage de la quincaillerie en acier inoxydable, n'utilisez pas d'outils haute vitesse pour l'installation. Le fait de mouiller les vis ou d'appliquer un antigrippant peut aider à prévenir qu'elles grippent.



9

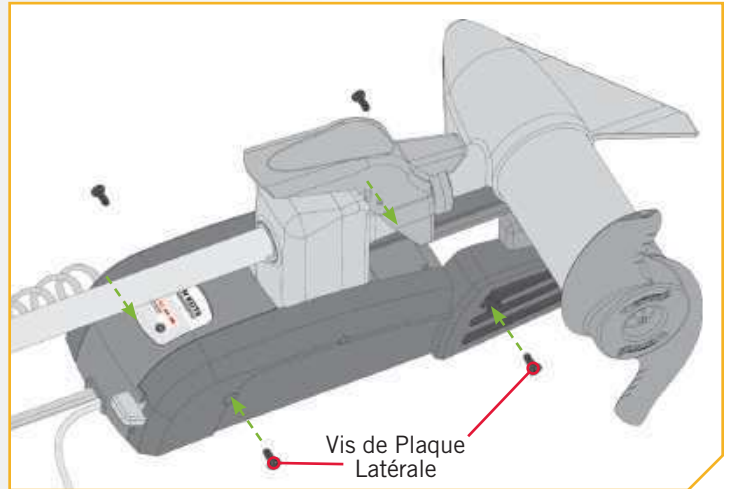
- m. Replacez la plaque latérale droite.
- n. En la faisant pivoter, replacez la plaque latérale gauche dans sa position appropriée sur l'extrusion de base.



INSTALLATION DU RIPTIDE POWERDRIVE

10

- o. Remplacez les quatre vis de la plaque latérale en utilisant un tournevis cruciforme n° 3 ou n° 2. Deux de ces vis seront situées de chaque côté du support.



11

ARTICLE(S) REQUIS

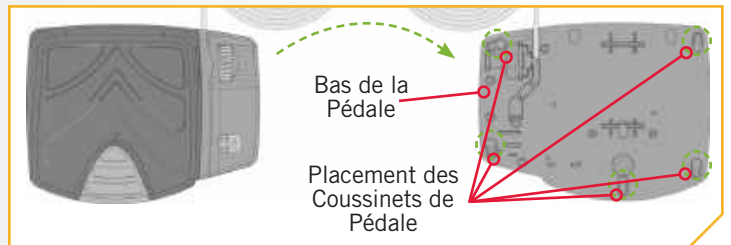
#17 x 5



#10 x 1

- p. Prenez la pédale (article n° 10) et retournez-la. Placez un coussinet de pédale (article n° 17) dans chacun des emplacements de coussinet.

AVIS : Les coussinets sont recommandés lors de l'utilisation de la pédale sur des surfaces n'étant pas couvertes de tapis.



INSTALLATION DES BATTERIES ET DU CÂBLAGE

GRÉEMENT DE L'EMBARCATION ET INSTALLATION DU PRODUIT

Pour des raisons de sécurité et de conformité, nous vous recommandons de suivre les normes du conseil américain sur les embarcations et les yachts (ABYC) pour le gréement de l'embarcation. Les altérations dans le câblage de l'embarcation devraient être complétées par un technicien de marine qualifié. Les spécifications suivantes sont seulement des lignes directrices générales:

⚠ ATTENTION

Ces lignes directrices s'appliquent au gréement général pour soutenir le moteur de Minn Kota. L'alimentation de multiples moteurs ou d'autres appareils électriques, à partir du même circuit d'alimentation, peut influencer sur le gabarit de conducteurs et le dimensionnement des disjoncteurs recommandé. Pour un fil plus long que celui fourni avec l'appareil, suivre le tableau de dimensionnement de gabarit des conducteurs et des disjoncteurs du tableau ci-dessous. Si la longueur totale de la rallonge est de plus de 25 pi (7,60 m), nous vous recommandons de communiquer avec un technicien maritime qualifié.

⚠ ATTENTION

Un dispositif de protection contre la surintensité (disjoncteur ou fusible) doit être utilisé. Les préalables de la garde côtière exigent que chaque conducteur de courant, qui n'est pas fixé, soit protégé par un fusible ou un disjoncteur qui se réinitialise manuellement et qui ne peut se déclencher automatiquement. Le dimensionnement du type (courant et tension de puissance nominale) de fusible ou de disjoncteur doit être choisi en fonction du propulseur électrique utilisé. Le tableau ci-dessous donne les lignes directrices recommandées pour ce qui est du dimensionnement des disjoncteurs.

TABLEAU DES DIMENSIONS DE GABARIT DES CONDUCTEURS ET DISJONCTEURS

Le présent tableau des dimensions de gabarit des conducteurs et disjoncteurs est uniquement valable pour les hypothèses suivantes:

1. Il n'y a pas plus de 2 conducteurs qui sont regroupés à l'intérieur d'une gaine ou d'un conduit à l'extérieur de l'espace moteur.
2. Chaque conducteur est muni d'un isolant d'une température nominale de 105 °C.
3. Aucune chute de tension de plus de 5 % n'est autorisée lorsque le moteur est à plein régime, en fonction des exigences en matière d'alimentation du produit qui ont été publiées.

Modèle/ Poussée du Moteur	Courant Tiré Max	Disjoncteur	Longueur de la Rallonge				
			1.5 mètres	3 mètres	4.5 mètres	6 mètres	7.5 mètres
30 lb.	30	50 Amp @ 12 VDC	6 mm ²	6 mm ²	10 mm ²	16 mm ²	25 mm ²
40 lb., 45 lb.	42		6 mm ²	10 mm ²	16 mm ²	25 mm ²	25 mm ²
50 lb., 55 lb.	50	60 Amp @ 12 VDC	10 mm ²	16 mm ²	25 mm ²	25 mm ²	35 mm ²
70 lb.	42	50 Amp @ 24 VDC	6 mm ²	6 mm ²	10 mm ²	10 mm ²	16 mm ²
80 lb.	56	60 Amp @ 24 VDC	10 mm ²	10 mm ²	10 mm ²	16 mm ²	16 mm ²
101 lb.	46	50 Amp @ 36 VDC	10 mm ²	10 mm ²	10 mm ²	10 mm ²	10 mm ²
Engine Mount 101	50	60 Amp @ 36 VDC	10 mm ²	10 mm ²	10 mm ²	10 mm ²	10 mm ²
112 lb.	52	60 Amp @ 36 VDC	10 mm ²	10 mm ²	10 mm ²	10 mm ²	10 mm ²
Engine Mount 160	116	(2) x 60 Amp @ 24 VDC	16 mm ²	16 mm ²	25 mm ²	35 mm ²	35 mm ²
E-Drive	40	50 Amp @ 48 VDC	6 mm ²	6 mm ²	6 mm ²	6 mm ²	6 mm ²

AVIS : La longueur de la rallonge fait référence à la distance séparant les batteries des fils du propulseur électrique. Consultez le site Web pour connaître les options d'impulsion. Les valeurs d'intensité maximales ont lieu de manière intermittente durant certaines conditions et ne doivent pas être utilisées comme valeur nominale continue.

Référence
Le code des règlements fédéraux des États-Unis : article 183 du titre 33 du CFR - Embarcations et équipements associés ABYC E-11 : systèmes électriques CA et CC sur les embarcations.

SÉLECTIONNER UNE BATTERIE ADÉQUATE

SÉLECTIONNER UNE BATTERIE ADÉQUATE

Le moteur fonctionnera avec toute batterie-marine plomb à décharge poussée de 12 volts. Pour un meilleur résultat, utilisez une batterie- marine à décharge poussée avec ampérage nominal d'au moins 105 ampères/heure. Maintenez la batterie complètement chargée. Un entretien adéquat assurera que le courant sera disponible au moment du besoin et améliorera considérablement la durée de vie de la batterie. Le fait de ne pas recharger les batteries au plomb (dans les 12 à 24 heures) est la principale cause de défaillance prématurée de celles-ci. Utilisez un chargeur multiphase pour éviter une surcharge. Nous offrons une vaste sélection de chargeurs en fonction de vos besoins. Si vous utilisez une batterie à manivelle pour démarrer un moteur hors-bord à essence, nous vous recommandons d'utiliser des batteries marines à décharge poussée séparées pour votre moteur de pêche à la traîne Minn Kota. Pour de plus amples informations sur la sélection et le grément de batteries, veuillez visiter minnkotamotors.com. Les moteurs de pêche à la traîne Minn Kota peuvent fonctionner avec des batteries au Lithium Ion. Cependant, ils sont spécifiquement conçus pour fonctionner avec des batteries plomb/ acide traditionnelles (AMG ou GEL). Les batteries au lithium Ion restent à des tensions supérieures pendant plus longtemps que les batteries plomb/acide. Par conséquent, lancer un moteur de pêche à la traîne Minn Kota à des vitesses supérieures à 85 % pendant une période prolongée risque d'endommager le moteur de façon permanente.



AVERTISSEMENT

Ne jamais brancher les bornes (+) et (-) de la même batterie ensemble. S'assurer qu'aucun objet métallique ne puisse tomber sur la batterie et provoquer un court-circuit aux bornes. Cela provoquerait immédiatement un court-circuit et un risque extrême d'incendie.



ATTENTION

Il est fortement recommandé d'utiliser un disjoncteur ou un fusible avec ce propulseur électrique. Consulter le « Tableau des dimensions de gabarit des conducteurs et disjoncteurs » dans la section précédente pour trouver le disjoncteur ou fusible approprié convenant à votre moteur. Pour les moteurs nécessitant un disjoncteur de 60-A, le disjoncteur Minn Kota MKR-19 60-A est recommandé.



ATTENTION

Veuillez lire les renseignements suivants avant de connecter votre moteur à vos batteries afin d'éviter d'endommager votre moteur ou d'annuler votre garantie.

AUTRES POINTS À CONSIDÉRER

› Utilisation de Chargeurs à C.C. ou Alternateurs

Votre moteur de pêche à la traîne Minn Kota peut être conçu avec un fil de masse interne pour réduire les interférences avec d'autres sonars. La plupart des systèmes de charge alternateurs ne tiennent pas compte de ce fil de masse et connectent les bornes négatives des batteries du moteur de pêche à la traîne aux bornes négatives de la batterie à manivelle/de démarrage. Ces connexions externes peuvent endommager les composants électroniques connectés ou le système électrique de votre moteur de pêche à la traîne et ainsi annuler votre garantie. Passez attentivement en revue le manuel de votre chargeur ou consultez son fabricant afin de vous assurer que votre chargeur est compatible avant de l'utiliser.

Minn Kota recommande l'utilisation de chargeurs de marque Minn Kota pour recharger les batteries connectées à votre propulseur électrique Minn Kota, étant donné qu'ils ont été conçus de sorte à fonctionner avec les moteurs dotés d'un fil de masse.

› Accessoires Supplémentaires Connectés Aux Batteries Du Propulseur Électrique

Votre moteur Minn Kota, les composants électroniques de votre bateau ou votre bateau peuvent subir des dommages importants si de mauvaises connexions ont été effectuées entre les batteries de votre propulseur électrique et un autre système de batterie. Minn Kota recommande d'utiliser un système de batterie exclusif pour votre propulseur électrique. Lorsque possible, les accessoires doivent être branchés sur un système de batterie séparé. Les radios et les sonars ne doivent être connectés à aucune batterie du propulseur électrique étant donné que les interférences provenant du propulseur électrique sont inévitables. Lorsque vous connectez un

COMMENT RACCORDER LA BATTERIE

accessoire supplémentaire à l'une des batteries du propulseur électrique, ou lorsque vous effectuez des connexions entre les batteries du propulseur électrique et d'autres systèmes de batterie sur le bateau, assurez-vous de respecter attentivement les indications ci-dessous.

La connexion négative (-) doit être connectée à la borne négative de la même batterie à laquelle la borne négative du propulseur électrique est connectée. Sur le tableau, cette batterie est appelée batterie « côté inférieur ». La connexion à une autre batterie du propulseur électrique fera entrer une tension positive dans la « mise à la terre » de cet accessoire, pouvant causer une corrosion excessive. Tout dommage causé par de mauvaises connexions entre les systèmes de batterie ne sera pas couvert par la garantie.

› Systèmes de démarrage d'Appoint et Commutateurs

Les systèmes de démarrage d'appoint et les commutateurs relient les bornes négatives des batteries connectées entre elles. La connexion de ces systèmes à la batterie "Côté Supérieur" ou à la batterie "Milieu" risque de causer d'importants dommages à votre propulseur électrique ou aux composants électroniques. La seule batterie du propulseur électrique qui peut être connectée de façon sécuritaire à un de ces systèmes est la batterie "Côté inférieur".

AVIS : Le fil de masse interne est doté d'un fusible de 3 A. Les mauvaises connexions décrites ci-dessus avec une intensité supérieure à 3 A feront sauter ce fusible et aucun autre dommage ne sera exposé. Si cela se produit, les interférences RF du propulseur électrique affectant les sonars et les autres composants électroniques seront plus significatives. Si le fusible saute, il faut trouver le mauvais raccordement et le résoudre avant de remplacer le fusible. Le fusible de rechange devrait être d'un courant de 3 A ou moins. Un fusible intact ne signifie pas un raccordement adéquat; d'importants dommages peuvent être causés par un câblage incorrect sans pour autant que le courant n'approche 3 A.

COMMENT RACCORDER LA BATTERIE

› Systèmes de 12 Volts

1. S'assurer que le moteur est coupé (sélecteur de vitesse sur « 0 »).
2. Raccorder le fil rouge positif (+) à la borne positive (+) de la batterie.
3. Raccorder le fil noir négatif (-) à la borne négative (-) de la batterie.



AVERTISSEMENT

Pour des raisons de sécurité, ne pas allumer le moteur jusqu'à ce que l'hélice soit dans l'eau. Si vous installez un raccordement en fil de plomb, respectez les polarités appropriées et suivez les instructions qui se trouvent dans votre manuel du propriétaire du bateau.



AVERTISSEMENT

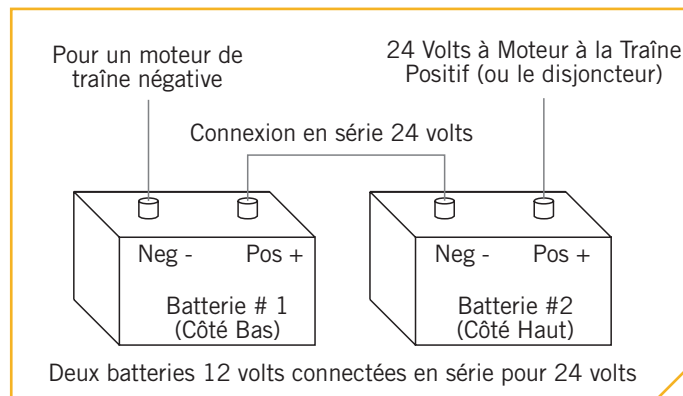
- Pour des raisons de sécurité, débranchez le moteur des batteries lorsque le moteur n'est pas utilisé ou pendant la charge.
- Une mauvaise installation du câblage des systèmes de 24/36 volts pourrait provoquer une explosion des batteries.
- Gardez les écrous papillons des raccordements solides et bien serrés autour des bornes de la batterie.
- Installez la batterie dans un compartiment ventilé.

BRANCHER LES BATTERIES EN SÉRIE (SI REUIS POUR VOTRE MOTEUR)

› Systèmes de 24 Volts

Deux batteries de 12 volts sont nécessaires. Les batteries doivent être branchées en série, uniquement tel qu'illustré dans le schéma de câblage, afin de fournir 24 volts.

1. Assurez-vous que le moteur est éteint (sélecteur de vitesse sur "0").
2. Branchez un câble de raccordement à la borne positive (+) de la batterie 1 et à la borne négative (-) de la batterie 2.
3. Branchez le fil rouge positif (+) à la borne positive (+) sur la batterie 2.
4. Branchez le fil noir négatif (-) à la borne négative (-) de la batterie 1.



AVERTISSEMENT

Pour des raisons de sécurité, ne pas allumer le moteur jusqu'à ce que l'hélice soit dans l'eau. Si vous installez un raccordement en fil de plomb, respectez les polarités appropriées et suivez les instructions qui se trouvent dans votre manuel du propriétaire du bateau.



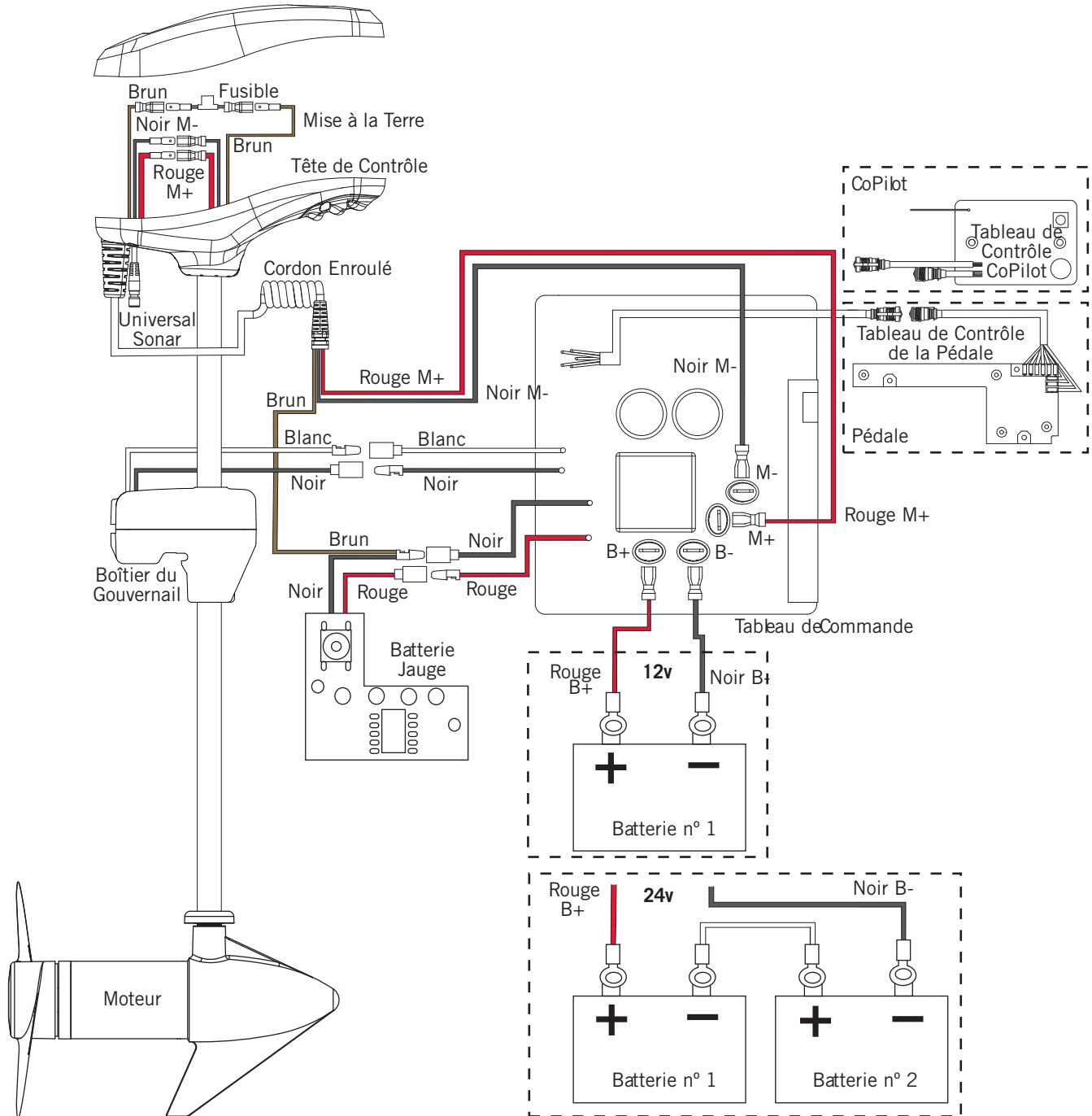
AVERTISSEMENT

- Pour des raisons de sécurité, débranchez le moteur des batteries lorsque le moteur n'est pas utilisé ou pendant la charge.
- Une mauvaise installation du câblage des systèmes de 24/36 volts pourrait provoquer une explosion des batteries.
- Gardez les écrous papillons des raccordements solides et bien serrés autour des bornes de la batterie.
- Installez la batterie dans un compartiment ventilé.

SCHÉMA DE CÂBLAGE DU MOTEUR

RIPTIDE POWERDRIVE

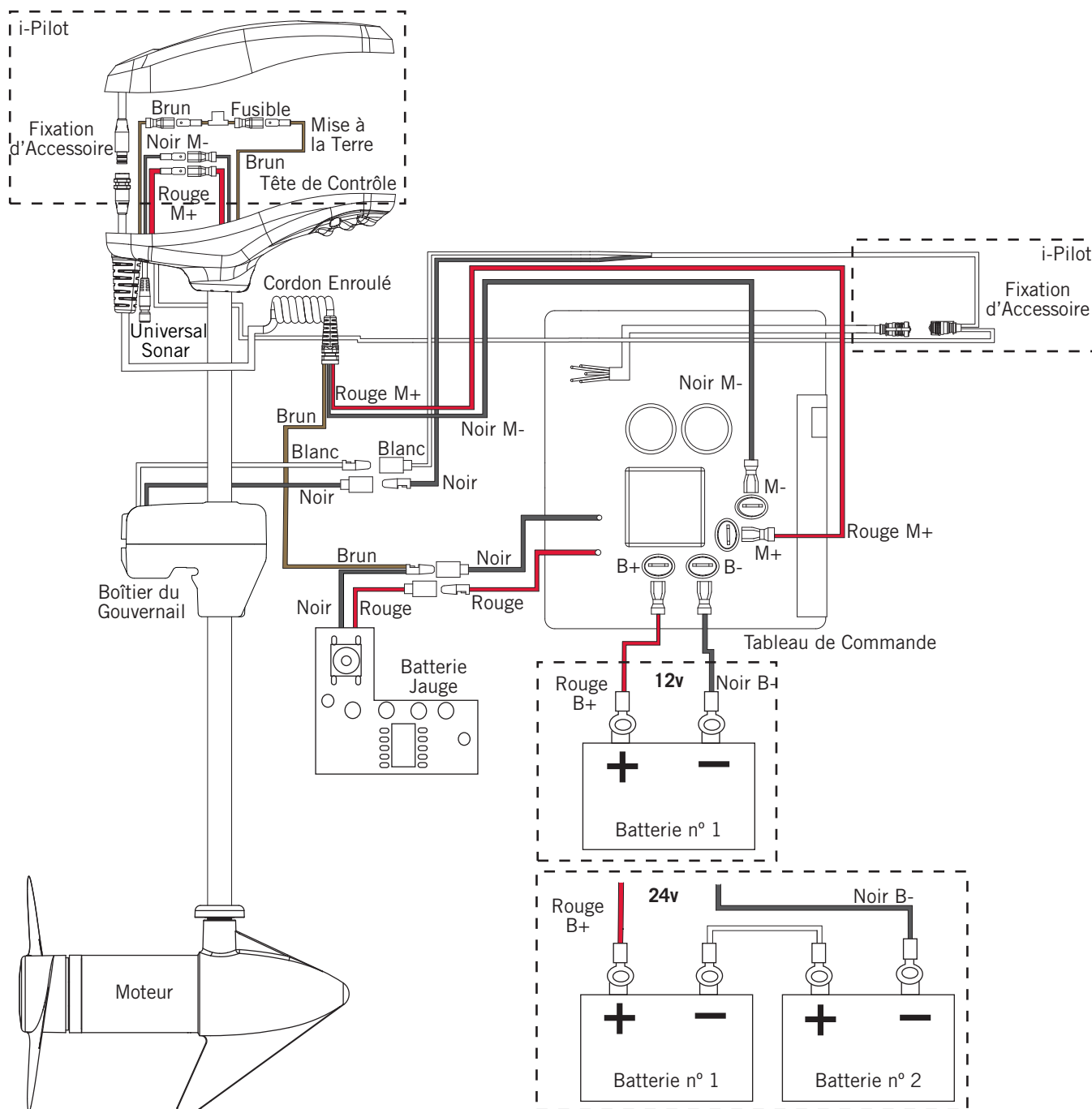
Le schéma de câblage de moteur suivant s'applique à tous les modèles Riptide PowerDrive qui ne sont pas livrés avec un système i-Pilot installé en usine. Le CoPilot peut être installé en usine, mais il peut également être installé en tant qu'accessoire après-vente.



AVIS : Il s'agit d'un schéma multi-tensions. Revérifiez la tension de votre moteur afin d'effectuer les raccordements appropriés. Les dispositifs de protection contre la surintensité ne figurent pas dans cette illustration.

RIPTIDE POWERDRIVE AVEC SYSTÈME i-PILOT

Le schéma de câblage de moteur suivant s'applique à tous les modèles Riptide PowerDrive qui sont livrés avec un système i-Pilot installé en usine.

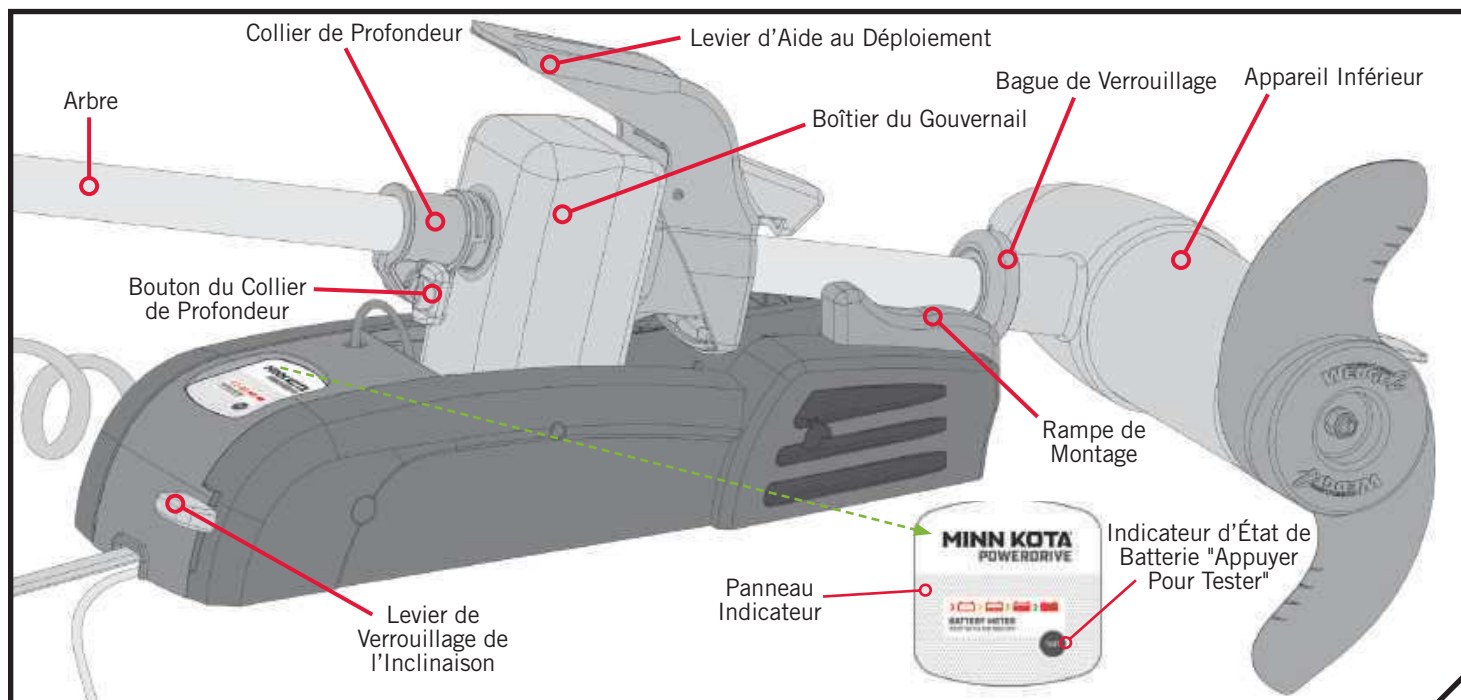


AVIS : Il s'agit d'un schéma multi-tensions. Revérifiez la tension de votre moteur afin d'effectuer les raccordements appropriés. Les dispositifs de protection contre la surintensité ne figurent pas dans cette illustration.

UTILISATION ET RÉGLAGE DU MOTEUR

CARACTÉRISTIQUES DU SUPPORT

Prenez connaissance des fonctionnalités du moteur afin de maximiser les capacités qu'offre ce produit.



› Collier de Profondeur et Bouton du Collier de Profondeur

Le collier de profondeur est situé sur l'arbre au-dessus du boîtier de direction. Il sert à maintenir le moteur à la bonne profondeur lorsque ce dernier est déployé. Il sert aussi à maintenir l'appareil inférieur en place en position arrimée, lorsqu'il n'est pas utilisé et pendant le transport. Le bouton du collier de profondeur sert à serrer et à desserrer le collier de profondeur afin qu'il puisse être utilisé pour faire glisser l'arbre du moteur vers le haut et le bas.

⚠ AVERTISSEMENT

Lors du transport du moteur, il est important de placer le collier de profondeur complètement contre le boîtier de direction et de le serrer. Cette mesure assure un arrimage sécuritaire et maintient le moteur en place pendant le transport, car le moteur pourrait être soumis à des vibrations et à des chocs importants pendant le transport. Ne pas fixer le moteur pourrait causer une blessure ou des dommages à l'appareil.

› Levier d'Aide au Déploiement

Le levier d'aide au déploiement est situé au haut du support lorsque le moteur est en position d'arrimage. Le levier d'aide au déploiement sert à déverrouiller le moteur lorsqu'il est arrimé et à appuyer sur la bague de verrouillage pour aider à déployer le moteur. Le levier d'aide au déploiement saisit également la bague de verrouillage lorsque le moteur est arrimé, maintenant ce dernier en place afin qu'il puisse être fixé avec le collier de profondeur.

› Bague de Verrouillage

La bague de verrouillage est située sur l'arbre du moteur, juste au-dessus de l'appareil inférieur. Elle sert à aider à fixer le moteur lorsqu'il est arrimé. En position arrimée, la bague de verrouillage est saisie dans le levier d'aide au déploiement.

⚠ AVERTISSEMENT

Lorsque vous arrimez ou déployez le moteur, gardez vos doigts loin de toutes les charnières et pièces mobiles ainsi que de tous les points de pivot.

ARRIMAGE ET DÉPLOIEMENT DU MOTEUR

› Levier de Verrouillage de l'Inclinaison

Le levier de verrouillage de l'inclinaison est situé à la base du support, en face de l'appareil inférieur. Le levier de verrouillage de l'inclinaison sert à déverrouiller le boîtier de direction de la position arrimée afin que le moteur puisse être incliné, tiré vers le haut et arrimé.

› Rampe de Montage

La rampe de montage sert à maintenir l'appareil inférieur en place lorsque le moteur est arrimé. En position arrimée, l'appareil inférieur sera appuyé sur la rampe de montage, aidant à le maintenir en place.



AVERTISSEMENT

Si une hélice rencontre une obstruction lorsqu'elle tourne, l'augmentation de la demande de courant électrique générée par l'obstruction signalera au moteur de réduire la puissance à l'hélice pour prévenir les dommages. Si la surcharge courante est détectée pendant plus de 20 secondes, l'hélice sera désactivée pour prévenir un dommage au moteur. Dans ce cas, l'opérateur peut remettre l'hélice en marche après avoir dégagé l'obstruction.

ARRIMAGE ET DÉPLOIEMENT DU MOTEUR

› Pour Déployer le Moteur

Desserrez le collier de profondeur, puis appuyez fermement sur le levier d'aide au déploiement pour relâcher la bague de verrouillage et glissez le moteur vers l'avant, à l'extérieur de la rampe de montage. Abaissez le moteur à la profondeur désirée. Assurez-vous qu'il s'enclenche en position verticale, de façon sécuritaire. Une fois qu'il est à la profondeur désirée, faites glisser le collier de profondeur contre le boîtier de direction et serrez-le.



AVERTISSEMENT

Lorsque vous remontez ou abaissez le moteur, gardez vos doigts loin de toutes charnières et tous points de pivot ainsi que de toutes pièces mobiles. Utilisez de bonnes pratiques ergonomiques lorsque vous arrimez et déployez le moteur afin de prévenir les blessures.

› Pour Arrimer le Moteur

Desserrez le collier de profondeur, appuyez sur le levier de verrouillage de l'inclinaison et levez le moteur en tirant sur l'arbre composite ou sur la tête de contrôle. Tirez le moteur vers la poupe jusqu'à ce qu'il soit appuyé solidement sur la rampe de montage et que le levier d'aide au déploiement retienne la bague de verrouillage. Glissez le collier de profondeur vers le bas et fixez-le contre la partie supérieure du boîtier de direction pour fixer le moteur en place et empêcher un déploiement accidentel.

INDICATEUR D'ÉTAT DE BATTERIE "APPUYER POUR TESTER"

Ce moteur est muni d'un indicateur d'état de batterie "Appuyer Pour Tester". Les voyants DEL se trouvent sur le panneau indicateur situé sur le support du moteur. L'indicateur d'état de batterie fournit un affichage précis de la charge restante dans la batterie. Il est uniquement précis lorsque le moteur est coupé. Voici comment lire l'indicateur:

- Un voyant indique la recharge.
- Deux voyants indiquent une faible charge.
- Trois voyants indiquent une bonne charge.
- Quatre voyants indiquent une pleine charge.

Panneau
Indicateur



Indicateur d'État
de Batterie
"Appuyer Pour
Tester"

AJUSTEMENT DU MOTEUR ›

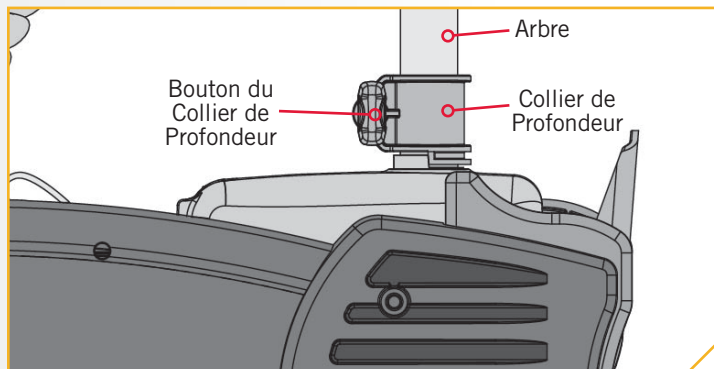
› Réglage de la Profondeur du Moteur

Une fois que le bateau est sur l'eau, il peut être nécessaire d'ajuster l'appareil inférieur afin d'obtenir une profondeur qui maximisera la performance du moteur. Au moment du réglage de la profondeur, s'assurer que le haut du moteur est immergé à au moins 12 po (30,5 cm) afin d'éviter de brasser ou d'agiter l'eau à la surface.

RÉGLAGE DE LA BAGUE DE VERROUILLAGE

1

- a. Avec le moteur en position déployée, localisez le collier de profondeur sur l'arbre au-dessus du boîtier de direction.
- b. En tenant l'arbre, desserrez le bouton du collier de profondeur jusqu'à ce que l'arbre glisse librement vers le haut et le bas.



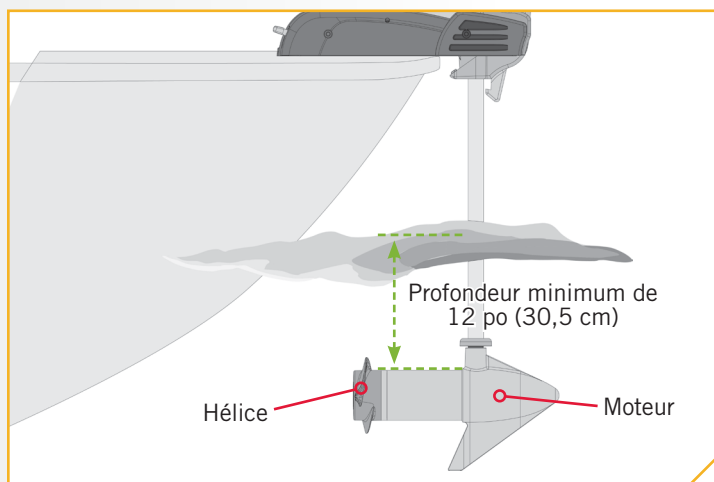
AVERTISSEMENT

La tête de contrôle formera un point de pincement si le bouton du collier de profondeur est desserré et que la tête de contrôle glisse sur le dessus du collier de profondeur. Saisissez l'arbre et empêchez-le de glisser jusqu'en bas pour prévenir le point de pincement.

2

- c. Remontez ou abaissez le moteur à la profondeur désirée.
- d. Tournez la tête de contrôle du moteur à la position désirée.
- e. Faites glisser le collier de profondeur contre le boîtier de direction et serrez le bouton du collier de profondeur pour fixer le moteur en place.

AVIS : Au moment du réglage de la profondeur, assurez-vous que le haut du moteur est immergé d'au moins 12 po (30,5 cm) afin d'éviter de brasser ou d'agiter l'eau à la surface.

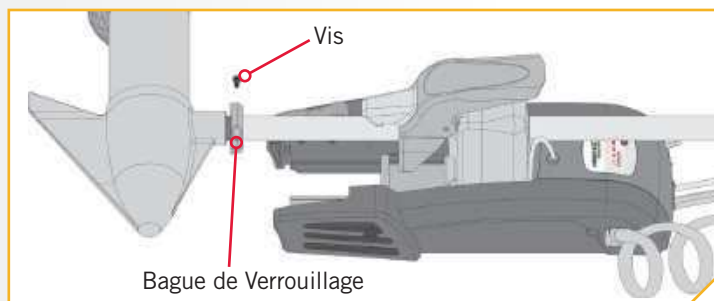


➤ Réglage de la Bague de Verrouillage

Une fois que le moteur a été utilisé, il pourrait être nécessaire d'ajuster la bague de verrouillage vers le haut ou le bas. Un ajustement idéal est légèrement lâche et saisit entièrement la bague de verrouillage dans le levier d'aide au déploiement lorsqu'en position arrimée.

1

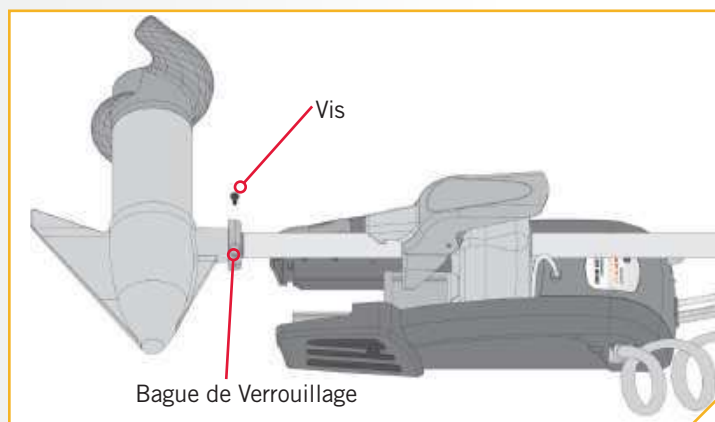
- a. Avec le moteur en position arrimée, localisez la bague de verrouillage.
- b. À l'aide d'un tournevis cruciforme n° 2, desserrez la vis maintenant la bague de verrouillage en place.



INSTALLATION D'UN TRANSDUCTEUR EXTERNE

2

- c. Faites tourner la bague de verrouillage afin qu'elle entre aisément dans la prise du levier d'aide au déploiement.
- d. Serrez à nouveau la vis pour fixer la bague de verrouillage en place.



Installation d'un Transducteur Externe

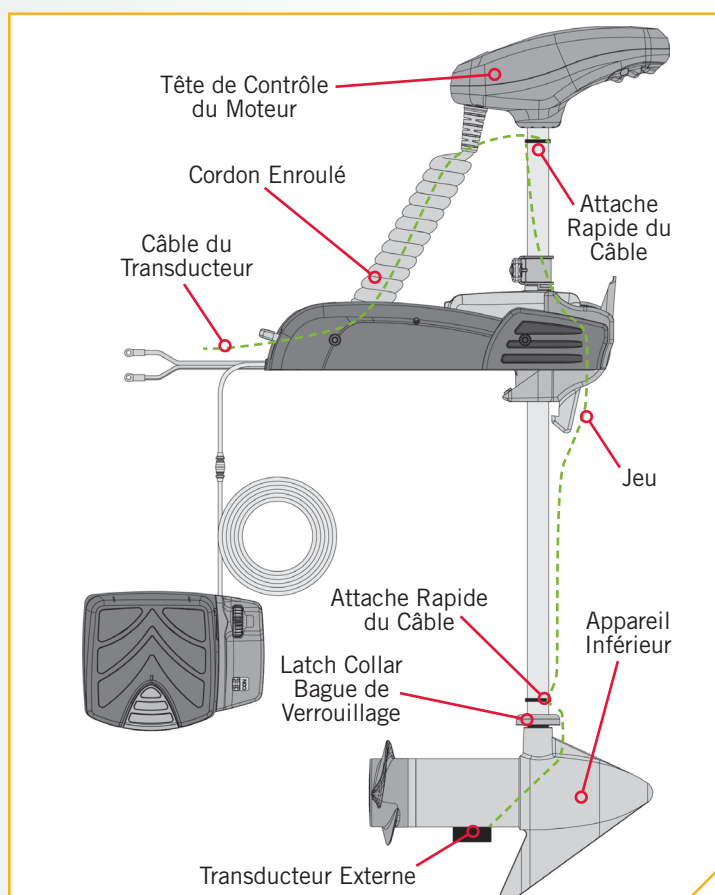
Un système de transducteur Universal Sonar peut être préinstallé sur votre propulseur électrique. Pour connaître la compatibilité et obtenir de plus amples informations sur l'Universal Sonar, veuillez visiter le site minnkotamotors.com. Aucun transducteur externe n'est inclus avec votre propulseur électrique. On peut installer un transducteur externe sur le moteur.

1

- a. Installez le transducteur externe conformément aux instructions fournies avec le transducteur.
- b. Laissez suffisamment de jeu dans le câble du transducteur entre l'appareil inférieur et la tête de contrôle du moteur pour que le moteur puisse être bien arrimé et déployé.
- c. Utilisez deux attaches rapides pour fixer le câble du transducteur à l'arbre juste au-dessus de la bague de verrouillage et juste au-dessous de la tête de contrôle du moteur.
- d. Faites passer le câble du transducteur au travers du cordon enroulé jusqu'au détecteur de poissons.

ATTENTION

Le défaut de suivre l'acheminement de fil recommandé pour les câbles du transducteur externe peut causer des dommages au produit et annuler sa garantie. Assurez-vous de bien tester la longueur et la position du câble pour vérifier qu'il y a suffisamment de jeu là où nécessaire et que les câbles ne s'emmêleront pas dans des pièces mobiles. Le fait d'acheminer les câbles d'une tout autre façon que celle dictée peut entraîner des dommages aux câbles par un pincement ou sectionnement.



AJUSTEMENT DE L'APPAREIL INFÉRIEUR POUR UN ARRIMAGE SÛR

› Ajustement de l'Appareil Inférieur pour un Arrimage Sûr

Lorsque le moteur est arrimé, l'appareil inférieur doit reposer sur la rampe de montage, qui fait partie du support du moteur. Il est recommandé de fixer le moteur en suivant ces instructions pour éviter d'endommager le moteur et l'arbre par les vibrations produites lors du transport.

1

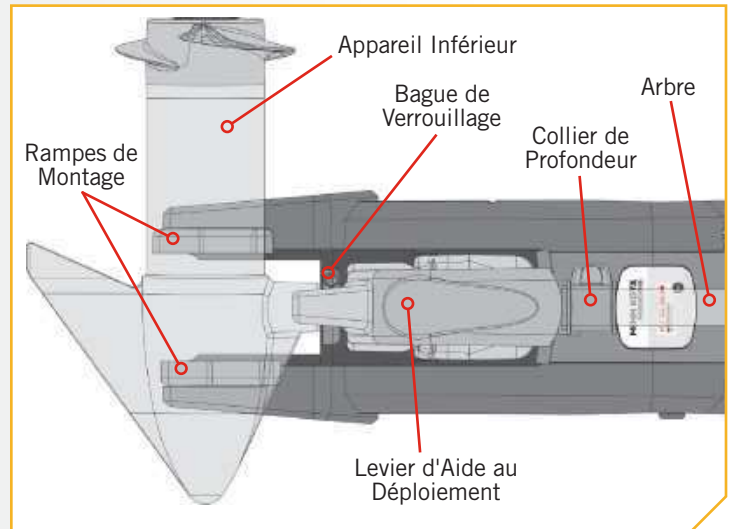
- a. Avant de transporter le bateau sur l'eau ou la terre, arrimez le moteur pour déterminer l'endroit où l'appareil inférieur repose sur la rampe de montage.

AVIS : Une bonne position de l'appareil inférieur le placera directement sur les rampes de montage.

- b. Si l'appareil inférieur ne repose pas sur les rampes de montage, consultez la section Ajustement de la bague de verrouillage de ce manuel. Ajuster la bague de verrouillage aidera l'appareil inférieur à rester sur les rampes de montage lorsqu'il est saisi par le levier d'aide au déploiement.

⚠ ATTENTION

L'appareil inférieur doit être posé sur les rampes de montage toutes les fois que le moteur est transporté. Si l'appareil inférieur est mal placé, soit au-dessus ou au-dessous de l'aire d'appui du moteur, l'appareil inférieur ou l'arbre seront endommagés, et l'arbre ne sera pas bien saisi. Ne pas placer l'appareil inférieur comme recommandé risque d'endommager le produit et d'annuler la garantie de ce dernier.

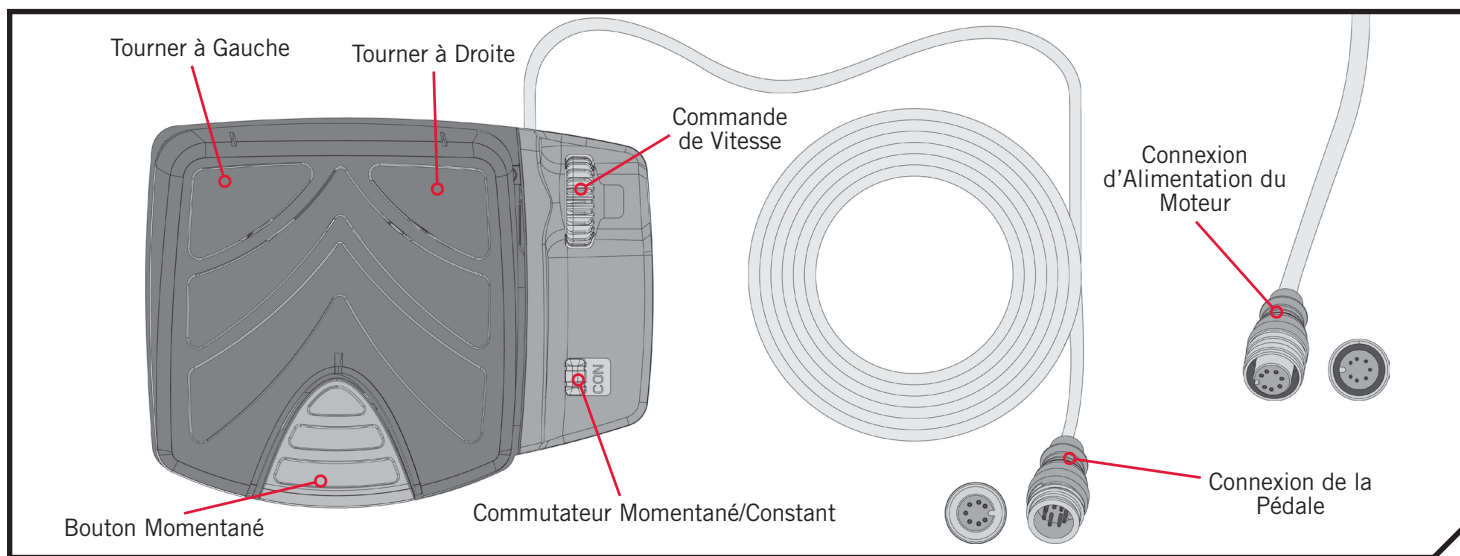


AVIS : Glissez le collier de profondeur vers le bas et fixez-le contre la partie supérieure du boîtier de direction lorsqu'en position arrimée, pour tenir le moteur en place et empêcher un déploiement accidentel.

UTILISATION DE LA PÉDALE

CONTRÔLE DE LA VITESSE ET DE LA DIRECTION AVEC LA PÉDALE

La pédale sert à opérer le moteur, et les contrôles sur la pédale sont faciles à faire fonctionner avec la main ou le pied. Le moteur peut aussi être contrôlé par une télécommande de système i-Pilot, ou une télécommande Minn Kota compatible, le cas échéant. Veuillez consulter le manuel du système i-Pilot ou de la télécommande compatible pour savoir comment la télécommande commande le moteur. Pour en apprendre davantage sur les accessoires compatibles avec le PowerDrive, veuillez visiter minnkotamotors.com.



› Bouton Momentané

Le bouton Momentané est situé à l'extrémité talon de la pédale et sert à activer l'hélice.

› Commutateur Momentané/Constant

Le commutateur Momentané/constant sert à passer entre les modes Momentané et Constant. En mode Momentané (MOM), l'hélice tourne uniquement lorsqu'on appuie sur le bouton Momentané. En mode Constant (CON), l'hélice fonctionne continuellement, qu'on appuie sur le bouton Momentané ou non.

Si une hélice rencontre une obstruction en mode en rappel ou constante, alors qu'elle tourne, l'augmentation de la demande de courant électrique générée par l'obstruction signalera au moteur de réduire la puissance à l'hélice pour prévenir les dommages. Si la surcharge courante est détectée pendant plus de 20 secondes, l'hélice sera désactivée pour prévenir un dommage au moteur. Dans ce cas, l'opérateur peut remettre l'hélice en marche après avoir dégagé l'obstruction.

› Commande de Vitesse

La molette de commande de vitesse se trouve sur le côté droit supérieur de l'extrémité orteil de la pédale. Tournez la molette de commande de vitesse vers l'avant pour augmenter la vitesse et vers l'arrière pour la diminuer. Vous pouvez également ajuster la vitesse à l'aide de la télécommande, le cas échéant.

› Tourner à Droite et Tourner à Gauche

Le bouton principal sur la pédale sert à commander le gouvernail. Tournez à droite en appuyant sur le côté droit du bouton et tournez à gauche en appuyant sur le côté gauche du bouton. La position et la direction de la tête du gouvernail correspondent directement à la position du moteur. Vous devez garder votre pied sur la pédale pour contrôler la direction du gouvernail pendant le fonctionnement manuel. Vous pouvez également commander la direction du moteur avec la télécommande.

⚠ ATTENTION

Le système du gouvernail est conçu pour faire pivoter le moteur à 360°. Veuillez à ne pas trop enrouler le câble enroulé autour de l'arbre en composite. Le cordon enroulé peut être endommagé s'il est trop enroulé, ce qui empêchera le moteur de fonctionner correctement.

CONTRÔLE DE LA VITESSE ET DE LA DIRECTION AVEC LA PÉDALE

› Marche Arrière

L'hélice tourne toujours dans la direction avant. Vous pouvez inverser la direction de la propulsion en tournant le moteur à 180°.

AVIS : Le moteur n'appliquera pas de correction automatique pour maintenir un déplacement en ligne droite.

AVERTISSEMENT

Vous seul êtes responsable de la navigation sécuritaire et prudente sur votre bateau. Nous avons conçu le PowerDrive pour qu'il soit un outil précis et fiable qui vous permettra d'améliorer l'utilisation de votre bateau et les résultats de votre pêche. Ce produit ne vous exonère pas de la responsabilité de naviguer en toute sécurité avec votre bateau. Vous devez éviter les dangers liés à la navigation et toujours exercer une veille permanente afin de pouvoir réagir au fur et à mesure que les situations se présentent. Vous devez toujours être prêt à reprendre le contrôle manuel de votre bateau. Apprenez à utiliser votre PowerDrive dans une zone exempte de dangers et d'obstacles.

ATTENTION

Pour des raisons de sécurité, débranchez le moteur de la ou des batteries lorsque le moteur n'est pas utilisé ainsi que pendant la charge de la ou des batteries. Si le contrôle du moteur est laissé en marche et que la rotation de l'hélice est bloquée, cela peut endommager sérieusement le moteur.

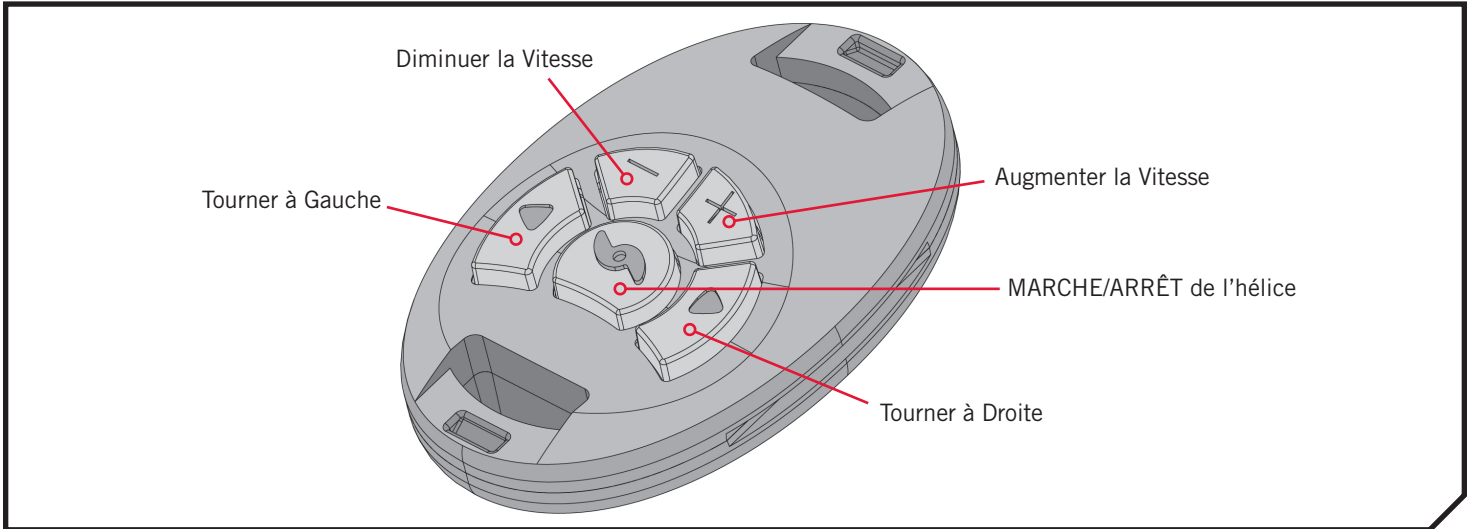
AVERTISSEMENT

Pour éviter les blessures, utilisez de bonnes pratiques ergonomiques lorsque vous utilisez la pédale.

COPILOT

COMMANDE DU MOTEUR AVEC COPILOT

Consultez la section CoPilot complète de ce manuel pour vous familiariser avec cette fonction. Pour obtenir davantage d'informations sur CoPilot ou du soutien technique supplémentaire, veuillez visiter minnkotamotors.com.



› MARCHÉ/ARRÊT de l'hélice

Ce bouton est situé au milieu de la télécommande. Il met l'hélice en marche et l'arrête. Appuyez sur le bouton une fois pour mettre l'hélice en MARCHÉ; appuyez une seconde fois pour l'ARRÊTER. Il n'est pas nécessaire de garder le bouton enfoncé.

› Tourner à Gauche et Tourner à Droite

Ces boutons sont situés à droite et à gauche du bouton MARCHÉ/ARRÊT de l'hélice et portent un symbole de flèche. Ils font tourner le moteur dans le sens souhaité, tant que le bouton est maintenu enfoncé. Si le bouton Tourner à droite ou Tourner à gauche est maintenu enfoncé pendant plus de sept secondes, la direction s'arrêtera automatiquement jusqu'à ce que le bouton soit enfoncé à nouveau.

› Augmenter la Vitesse et Diminuer la Vitesse

Les boutons Augmenter la vitesse et Diminuer la vitesse sont situés sur le dessus de la télécommande et sont identifiés par des symboles positif et négatif. Appuyer sur ces boutons et les relâcher ajuste la vitesse par incréments de 1. La vitesse est réglable de 0 à 10. Au réglage 0, l'hélice ne tourne pas.

En mode audio 2, lors du changement de vitesse, un bip se fait entendre pour chaque incrément. Si vous tentez d'aller au-delà de la vitesse 10 ou au-dessous de la vitesse 0, la vitesse ne changera pas et aucun bip ne sera émis. Voir la section Mode audio pour plus d'informations.

Si le récepteur ne détecte aucune commande de pédale ou de télécommande pendant 1 heure, le réglage de vitesse de télécommande est automatiquement réglé à zéro. Cela permet d'éviter l'activation involontaire de l'hélice si le bouton Marche/arrêt de l'hélice de la télécommande est enfoncé par inadvertance.

UTILISATION GÉNÉRALE DE COPILOT

› Utilisation Avec la Télécommande et la Pédale

- Lorsque le commutateur momentané/constant sur la pédale est en position con ou lorsque le bouton momentané est gardé enfoncé, le récepteur ne répondra pas aux commandes de la télécommande. Lors de la réception des commandes de la télécommande, le récepteur émet un gazouillement. Ce signal sonore indique que la télécommande fonctionne correctement, mais que la pédale est en marche et a priorité sur la télécommande.
- Lorsque le commutateur Momentané/constant est en position MOM, l'opérateur peut commencer à utiliser la télécommande à tout moment.

MODES AUDIO



- Dès que vous appuyez sur un bouton de la télécommande, le réglage de la vitesse initiale est fixé à environ la même valeur que celle de la commande de vitesse sur la pédale. L'hélice ne se met pas automatiquement en marche jusqu'à ce que vous appuyiez sur le bouton MARCHE/ARRÊT de l'hélice de la télécommande.
- Une commande émise en appuyant sur le bouton momentané de la pédale ou en ajustant la molette de commande de vitesse aura priorité sur une commande de la télécommande et du récepteur. La commande du moteur passe automatiquement à la pédale. La vitesse de l'hélice reviendra également à la valeur actuelle de la molette de commande de vitesse sur la pédale.

Utilisation sans la Pédale

- Si la pédale n'est pas utilisée, le récepteur CoPilot réagira toujours à toutes les commandes de la télécommande CoPilot.

MODES AUDIO

Il existe trois modes audio pour le récepteur. L'unité est réglée en usine au mode audio 2. Pour passer d'un mode audio à un autre, gardez enfoncés simultanément les boutons d'augmentation et de diminution de vitesse pendant une seconde. Le récepteur répondra par 1, 2 ou 3 bips indiquant le changement de mode audio correspondant du récepteur.

Mode Audio	Fonction
Mode 1	Tous les sons normaux mentionnés dans ce manuel du propriétaire, mais pas de bips pour l'augmentation ou la diminution de la vitesse, ni pour la mise en marche/arrêt de l'hélice.
Mode 2	Identique au mode audio 1 avec un bip pour l'augmentation ou la diminution de la vitesse et pour la mise en marche/arrêt de l'hélice.
Mode 3	Identique au mode audio 2, avec un clic sonore à chaque 1,5 seconde lorsque l'hélice est en marche.

AVIS : Quand la pédale commande le moteur, que l'hélice est en marche et que le récepteur est réglé au mode audio 3, on entendra un déclic indiquant que l'hélice est en marche.

Séquence Sonore	Quelles Conditions Caused Quelle Séquence Sonore	Mode Audio
1 Bip	Appuyer sur le bouton Augmenter la vitesse ou Diminuer la vitesse	Modes 2 et 3
1 Bip	Appuyer sur le bouton MARCHE/ARRÊT de l'hélice pour mettre l'hélice en marche	Modes 2 et 3
2 Bips	Appuyer sur le bouton MARCHE/ARRÊT de l'hélice pour arrêter l'hélice	Modes 2 et 3
Un seul déclic à chaque 1,5 seconde	Lorsque l'hélice est en marche, y compris lorsque la molette de commande de vitesse est réglée à 0	Mode 3
1 Bip	Passage au mode audio 1	Tous
2 Bips	Passage au mode audio 2	Tous
3 Bips	Passage au mode audio 3	Tous
1 Pépiement	Chaque fois que le récepteur est mis sous tension et qu'il a été couplé à au moins une télécommande	Tous
1 Bip de 2 Secondes	Chaque fois que le récepteur est allumé et qu'il n'y a pas de télécommande couplée	Tous
5 Bips	La molette de commande de vitesse sur la pédale est déplacée après que la vitesse a été ajustée avec la télécommande	Tous
Tonalité Continue	Entendu lorsqu'on maintient enfoncé le bouton Coupler sur le récepteur	Tous
4 Bips	Entendu après que vous appuyez sur une touche de la télécommande tandis que le récepteur s'y couple	Tous
Gazouillement de 10 secondes qui passe à une tonalité continue	Entendu au cours du processus utilisé pour effacer toutes les télécommandes stockées après avoir relâché le commutateur Coupler, un bip de 2 secondes est émis	Tous
1 bip long, 2 bips courts, pause (répétition)	Mis sous tension avec le commutateur Momentané/constant en position CON (ou le bouton Momentané gardé enfoncé) lorsque la pédale est déplacée vers Momentané, on entendra le signal sonore de mise sous tension	Tous

AJOUT/RETRAIT DE TÉLÉCOMMANDES

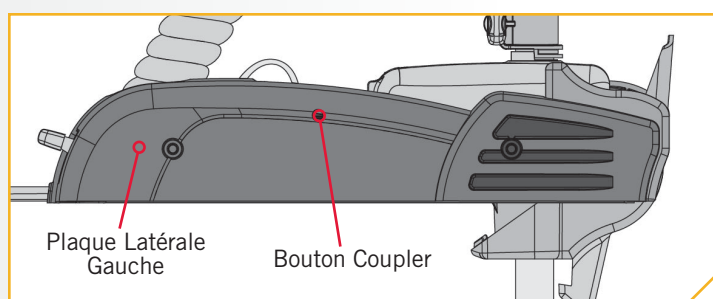
La télécommande copilote est livrée déjà couplée avec le récepteur copilote. Toute télécommande supplémentaire doit être couplée au récepteur. Le récepteur stocke toutes les informations de couplage, même lorsque le moteur est déconnecté d'une source d'alimentation.

► Pour Coupler des Télécommandes

Votre récepteur peut être couplé avec un maximum de dix télécommandes. Les télécommandes supplémentaires peuvent être couplées en suivant les étapes suivantes. Ces étapes fonctionnent également pour coupler une télécommande si toutes les télécommandes sont effacées du récepteur.

1

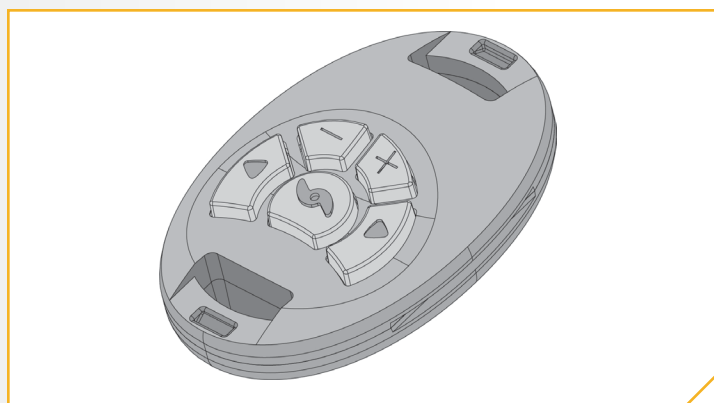
- À l'aide d'un petit objet pointu tel qu'un stylo ou un tournevis, gardez enfoncé le bouton coupler situé sur le côté du récepteur.
- Le récepteur émettra une tonalité continue.



2

- Appuyez sur n'importe quel bouton de la télécommande.
- Le récepteur émettra 4 bips confirmant qu'il a bien été couplé à la télécommande.

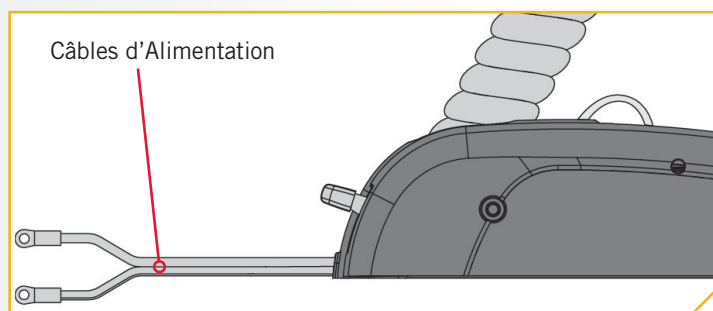
AVIS : Coupler la même télécommande n'effacera pas les télécommandes précédemment couplées. Si le récepteur a été couplé à dix télécommandes, y coupler une onzième remplacera la première télécommande.



► Pour Effacer Toutes les Télécommandes du Récepteur

1

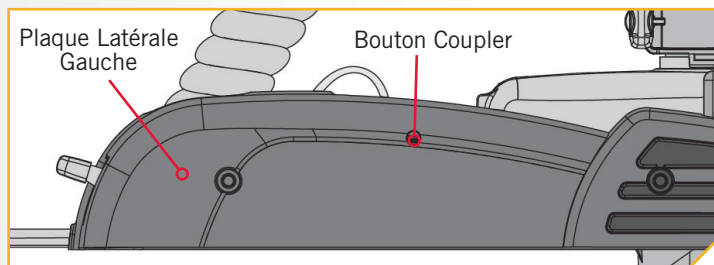
- Déconnectez l'alimentation du récepteur CoPilot en débranchant les câbles d'alimentation, ou en vous assurant que le disjoncteur, le cas échéant, ouvre le circuit.



REPLACEMENT DE LA PILE

2

- b. Maintenez enfoncé le bouton Coupler et allumez le récepteur CoPilot en reconnectant les câbles d'alimentation, ou en vous assurant que le disjoncteur, le cas échéant, ferme le circuit.
- c. Continuez à appuyer sur le bouton Coupler pendant 10 secondes. Pendant ce temps, le récepteur audio émet un gazouillement, qui passe lentement à un bip continu, puis s'éteint.
- d. Relâchez le bouton Coupler et le récepteur redémarrera. Le récepteur émettra un bip de 2 secondes indiquant que la mémoire est vide. Cette séquence sonore se produira chaque fois que le récepteur est mis sous tension jusqu'à un numéro d'ID de télécommande soit couplé.



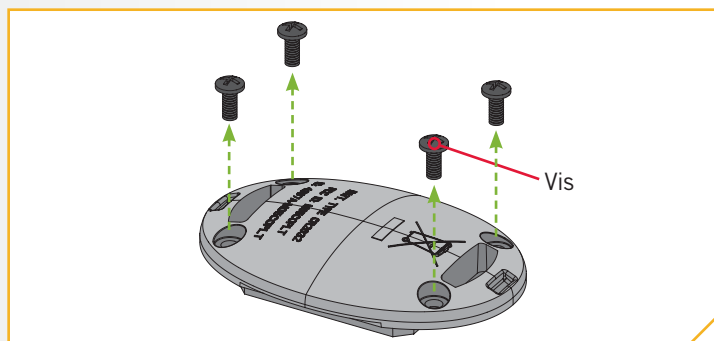
Remplacement de la Pile

1

- a. Raccordez-vous temporairement à la terre en touchant un objet métallique mis à la terre afin de décharger toute électricité statique de votre corps.

AVIS : La pile de remplacement doit être une pile de type bouton, modèle CR2032. Il est fortement recommandé d'utiliser une pile de marque.

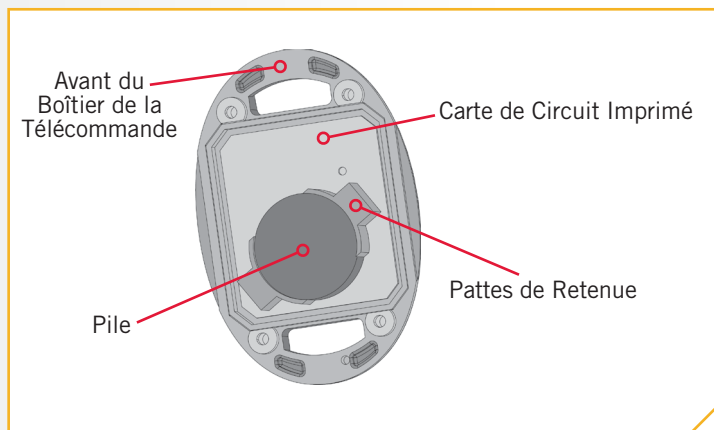
- b. Retirez les quatre vis sur le dessous du boîtier de la télécommande.
- c. Séparez les moitiés du boîtier pour accéder à la carte de circuit imprimé.



2

- d. Pour retirer la pile, placez le bout d'un doigt ou du pouce sous le bord exposé de la pile et tirez-la vers le haut.
- e. Installez la nouvelle pile avec le côté positif (+) de la pile face vers le haut, au loin de la carte de circuit imprimé. Assurez-vous que la pile est bien fixée en place.

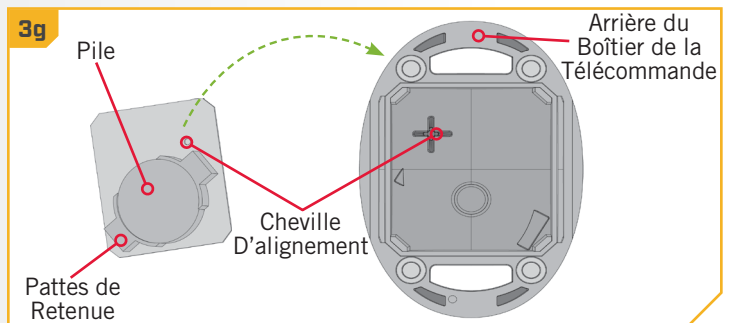
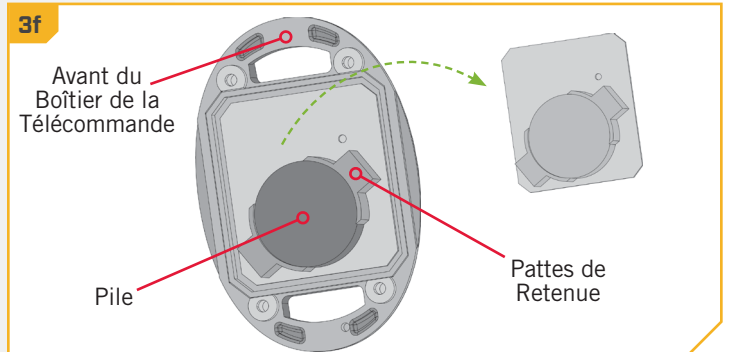
AVIS : La pile de remplacement doit être une pile de type bouton, modèle CR2032. Il est fortement recommandé d'utiliser une pile de marque.



REPLACEMENT DE LA PILE

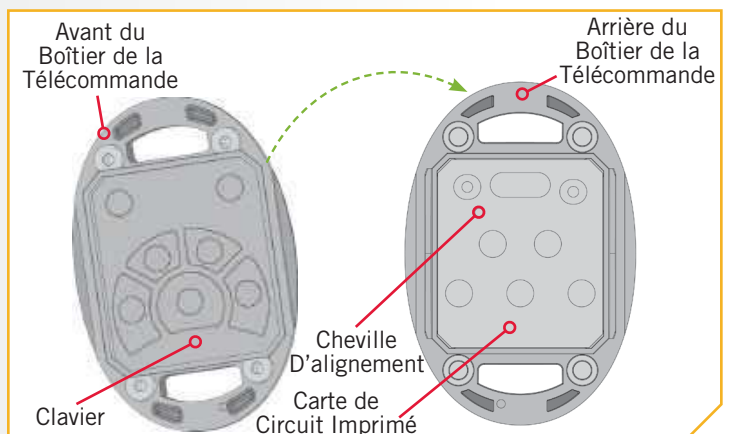
3

- f. Réassemblez la télécommande. Commencez par retirer la carte du devant du boîtier de la télécommande. Il s'agit de la même carte qui maintient la pile en place. Laissez le clavier en place sur le devant de la télécommande.
- g. Notez que la cheville d'alignement à l'arrière du boîtier de la télécommande doit être alignée avec le trou d'alignement correspondant dans la carte de circuit imprimé. Placez la carte avec la pile vers le bas sur l'arrière du boîtier de la télécommande.



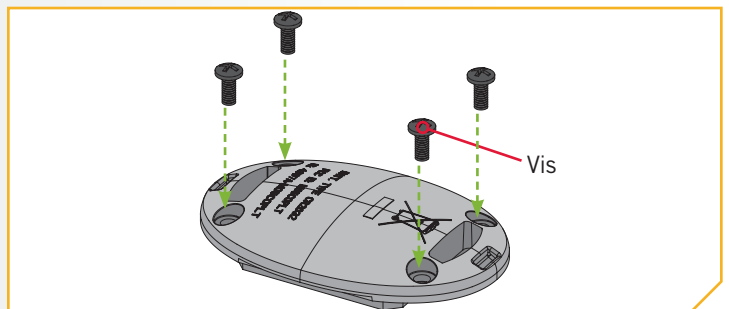
4

- h. Placez l'arrière du boîtier de la télécommande de façon à ce que la cheville d'alignement soit vers le haut lorsque la télécommande est posée sur une surface plane. Positionnez le devant du boîtier de la télécommande de façon à ce que le clavier et les boutons incurvés soient pointés vers le bas lorsque la télécommande est posée sur une surface plane.
- i. Gardez l'arrière du boîtier de la télécommande à plat. Placez le devant du boîtier de la télécommande, avec le clavier en place, sur l'arrière du boîtier de la télécommande. Assurez-vous que le boîtier est bien en place.



5

- j. Réinstallez les quatre vis du boîtier et serrez-les au besoin.



SERVICE ET ENTRETIEN

REPLACEMENT DE L'HÉLICE

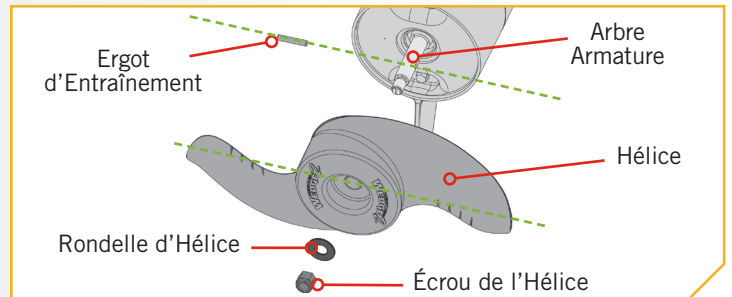
OUTILS ET RESSOURCES NÉCESSAIRES >

- Clé plate 9/16 po (14,29 mm)
- Tournevis à lame plate

INSTALLATION >

- a. Débrancher le moteur de toute source d'alimentation avant de changer l'hélice.
 - b. Maintenez l'hélice et desserrez l'écrou de l'hélice à l'aide d'une pince ou d'une clé.
 - c. Retirez l'écrou et la rondelle de l'hélice.

AVIS : Si l'ergot d'entraînement est cisailé ou cassé, tenez l'arbre stable à l'aide d'une lame de tournevis enfoncée dans la fente à l'extrémité de l'arbre pendant que vous desserrez l'écrou de l'hélice.



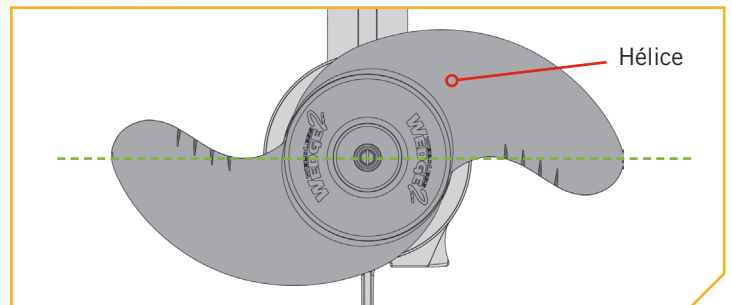
⚠ ATTENTION

Débranchez le moteur de la batterie avant d'effectuer tout travail ou entretien sur l'hélice.

- d. Tournez la vieille hélice à l'horizontale, puis la retirer à la verticale. Si l'ergot d'entraînement tombe, repoussez-le vers l'intérieur.

⚠ ATTENTION

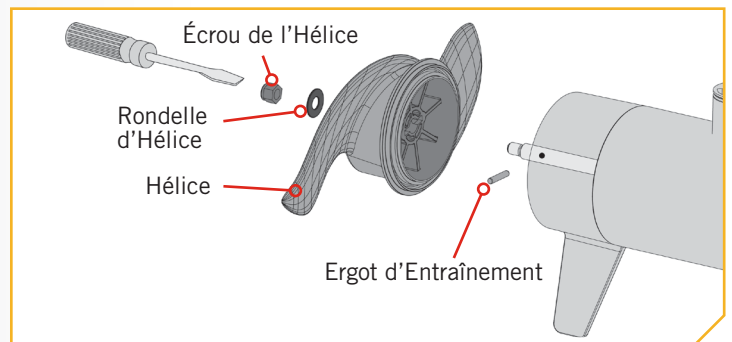
Si l'hélice ne glisse pas facilement, tirez sur l'hélice de manière égale en faisant attention à ne pas plier l'arbre armature tout en retirant l'hélice hors de l'arbre armature.



- e. Alignez la nouvelle hélice avec l'ergot d'entraînement.
 - f. Installez la rondelle et l'écrou de l'hélice.
 - g. Serrez l'écrou de l'hélice 1/4 de tour passé le serrage confortable à 25-35 po-lb (2,8-4 Nm).

⚠ ATTENTION

Ne pas trop serrer pour ne pas endommager l'hélice.



ENTRETIEN GÉNÉRAL

- Après chaque utilisation, le moteur entier doit être rincé à l'eau douce, puis essuyé avec un chiffon imbibé d'un protecteur au silicone à base d'eau.
- N'aspergez pas d'eau les ouvertures de ventilation dans la tête du moteur.
- L'arbre en composite doit être régulièrement nettoyé et lubrifié pour une bonne rétraction et un bon déploiement. Une vaporisation de silicone à base aqueuse améliorera son fonctionnement.
- Après chaque utilisation, on doit inspecter l'hélice et éliminer les herbes ainsi que les lignes de pêche pouvant s'y trouver. Les lignes de pêche et les herbes peuvent se nicher derrière l'hélice, abîmer les joints et laisser l'eau pénétrer dans le moteur.
- Chaque fois que le moteur est utilisé, assurez-vous que l'anode/écrou de l'hélice est fixé solidement.
- Afin de prévenir les dommages accidentels, pendant le transport ou l'entreposage, débranchez la batterie lorsque le moteur est hors de l'eau.
- Pour un entreposage prolongé, enduisez légèrement toutes les parties métalliques d'un protecteur aqueux à base de silicone.
- Pour maximiser de la durée de vie de la batterie, rechargez la ou les batteries dès que possible après l'utilisation. Pour une performance maximale du moteur, rechargez la batterie complètement avant utilisation.
- Gardez les bornes de la batterie propres à l'aide de papier sablé fin ou de toile d'émeri (batteries plomb/acide seulement).
- L'hélice est conçue pour assurer un fonctionnement optimal et un niveau d'efficacité très élevé. Pour maintenir ce haut rendement, le bord d'attaque des pales doit être gardé lisse. S'il est rugueux ou ébréché en raison de l'utilisation, le rendre lisse à nouveau à l'aide de papier de verre fin.
- Arrimez le moteur après chaque utilisation afin de permettre à l'eau de se vider du boîtier du gouvernail. De l'eau restant dans le boîtier du gouvernail lorsque le moteur n'est pas utilisé pourrait causer des dommages.

DÉPANNAGE

1. Le moteur ne tourne pas ou manque de puissance:
 - Vérifier la polarité des raccordements de batterie.
 - Vérifier que les bornes sont propres et exemptes de corrosion. Utiliser du papier sablé ou de la toile d'émeri pour nettoyer les bornes.
 - Vérifier le niveau d'eau de la batterie. Ajouter de l'eau, le cas échéant.
2. Le moteur baisse en puissance peu après son démarrage:
 - Vérifier la charge de la batterie. Si le niveau est bas, la remettre à pleine charge.
3. Le moteur est difficile à diriger:
 - Vérifier que les câbles de direction ont une tension appropriée. Régler, selon le besoin.
4. Si l'hélice vibre en cours de fonctionnement normal:
 - Retirer, puis faire pivoter l'hélice à 180°. Voir les directives pour le retrait dans la section portant sur le remplacement de l'hélice.
5. Votre sondeur fait l'objet d'interférences:
 - Dans certaines applications, de l'interférence à l'écran de l'échosondeur pourra survenir. Nous recommandons qu'une batterie marine à décharge profonde séparée soit utilisée pour votre propulseur électrique et que l'échosondeur soit alimenté à l'aide d'une batterie de démarrage/à manivelle. Si les problèmes persistent, communiquer avec le service technique au 1 800 227 6433.

AVIS : Pour tout autre défaut de fonctionnement, visitez un centre de service agréé. Vous pouvez trouver un centre de service agréé dans votre région en consultant la liste de nos centres de service agréés sur le site minnkotamotors.com, ou en appelant notre service à la clientèle au 1 800 227-6433.


ENTRETIEN GÉNÉRAL


DÉPANNAGE DU COPILOT


Cause	Effet	Solution
La télécommande ne transmet pas.	La pile est déchargée.	Remplacez la batterie.
	Le récepteur peut ne pas être couplé à la télécommande.	La télécommande doit être couplée. Consultez la section Ajout/retrait de télécommandes de ce manuel pour coupler la télécommande.
	Avec la pédale connectée, le commutateur MOM-CON est en position CON. Un signal sonore sera émis si un bouton est enfoncé lorsque la pédale est en position CON.	Le commutateur de pédale doit être réglé au mode Momentané (MOM). Le récepteur n'acceptera pas les commandes de la télécommande avec le commutateur réglé au mode Constant (CON).
	Si la télécommande a été démontée, le clavier et le boîtier du haut peuvent avoir été posés à l'envers.	Démontez la télécommande. Consultez la section Remplacement de la pile de ce manuel et réinstallez les moitiés du boîtier dans la bonne orientation.
Lorsque le récepteur est mis sous tension, il émet une séquence de bips (1 bip long, 2 bips courts, pause, répétition).	Le commutateur Momentané/constant de la pédale est en position CON.	Le commutateur de la pédale doit être placé en position MOM. Le signal sonore se poursuivra jusqu'à ce que le commutateur soit placé en position MOM.
L'hélice ne tourne pas, mais la séquence sonore Hélice en MARCHE continue à se faire entendre.	La vitesse de l'hélice est réglée à "0".	Augmentez la vitesse de l'hélice à plus que "0".
	La séquence sonore Hélice en MARCHE est émise uniquement en mode audio 3	Faites passer le mode audio à audio 1 ou 2. Consultez la section Modes audio de ce manuel.


POUR D'AUTRES SERVICES DE DÉPANNAGE ET DE RÉPARATION

Nous offrons plusieurs options de dépannage et/ou de réparation pour le produit. Veuillez parcourir les options énumérées ci-dessous.

 **Acheter des Pièces en Ligne**
Vous pouvez acheter des pièces en ligne directement à partir de notre site web à minnkotamotors.com. Les commandes confirmées avant midi (heure du centre) seront expédiées le jour même, si les articles sont en stock. Les commandes placées après midi (heure du centre) seront expédiées le jour suivant, si les articles sont en stock.

 **Foire Aux Questions**
Notre site Web met à votre disposition des FAQ visant à répondre à toutes vos questions au sujet des produits Minn Kota. Veuillez visiter le site Web minnkotamotors.com puis cliquer sur "Foire Aux Questions" pour trouver réponse à vos questions.

 **Appelez-Nous (Pour les états-unis et le Canada)**
Nos représentants du service à la clientèle sont disponibles du lundi au vendredi, de 7 h à 16 h 30 (hnc), au 800-227-6433. Pour commander des pièces, veuillez avoir sous la main le numéro de série à 11 chiffres du produit, les numéros des pièces nécessaires et les renseignements relatifs à la carte de crédit. Vous économiserez ainsi du temps pour un service à la clientèle de qualité supérieure. Vous pouvez consulter la liste de votre manuel pour obtenir les numéros.

 **Envoyez-Nous un Courriel**
Vous pouvez envoyer par courriel vos questions au sujet des produits minn kota à notre service à la clientèle. Pour transmettre votre question par courriel, visitez minnkotamotors.com, puis cliquez sur "Soutien".

 **Centres de Service Agréés**
Minn Kota compte plus de 800 centres de service agréés aux États-Unis et au Canada pour acheter des pièces ou faire réparer vos produits. Veuillez consulter la page Centres de service agréés sur notre site Web pour trouver un centre de service dans votre région.



Balayez le code qr pour visiter le service en ligne Minn Kota.

DÉCLARATIONS DE CONFORMITÉ

DÉCLARATION DE CONFORMITÉ ENVIRONNEMENTALE

Il est dans l'intention de JOME d'être une entreprise citoyenne responsable, dont l'exploitation est conforme à la réglementation environnementale en vigueur et qui est connue pour être un bon voisin dans les collectivités où nous fabriquons ou vendons nos produits.

DIRECTIVE DEEE

La directive européenne 2002/96/CE « Directive concernant les déchets d'équipements électriques et électroniques (DEEE) » a un impact sur la plupart des distributeurs, vendeurs et fabricants d'électronique pour le grand public au sein de l'Union européenne. La directive DEEE exige que le producteur d'électronique pour le grand public prenne une part de responsabilité, en ce qui concerne la gestion des déchets de leurs produits, afin d'atteindre une élimination écologique, et ce, tout au long du cycle de vie du produit.

Il se peut que, selon votre emplacement, vous ne soyez pas tenu (e) de vous conformer à la directive DEEE pour ce qui est des équipements électriques et électroniques (EEE), et il se peut qu'il en soit de même pour les EEE conçus et destinés à être utilisés comme installations fixes ou temporaires dans les véhicules de transport tels que les voitures, les avions et les bateaux. Dans certains États de l'Union européenne, ces véhicules sont réputés ne pas relever de la directive, et les EEE, pour ces applications peuvent être considérés comme exclus de l'exigence de la directive DEEE.

Ce symbole (DEEE poubelle sur roues) sur le produit indique que ce dernier ne doit pas être jeté avec les déchets domestiques. Il doit être éliminé et collecté pour le recyclage et la récupération des DEEE. Johnson Outdoors Inc. marquera tous les produits EEE en conformité avec la directive DEEE. C'est notre but de nous conformer à la collecte, au traitement, à la récupération et à l'élimination écologique judicieuse de ces produits, mais ces exigences varient au sein des différents États membres de l'Union européenne. Pour de l'information supplémentaire sur l'endroit où vous pouvez éliminer les équipements usagés pour leur recyclage et leur récupération et/ou selon les exigences particulières de l'État membre de l'Union européenne, veuillez communiquer avec le détaillant ou le distributeur duquel vous avez acheté le produit.



ÉLIMINATION

Les moteurs Minn Kota ne sont pas soumis à la réglementation concernant l'élimination VGE-VO (directive pour les dispositifs électriques), qui transpose la directive DEEE. Néanmoins, ne jamais jeter le moteur Minn Kota dans une poubelle, mais plutôt à l'endroit approprié où s'effectue la collecte, recommandé par le conseil municipal local.

Ne jamais jeter aucune batterie à la poubelle. Se conformer aux directives d'élimination du fabricant ou de son représentant et la jeter à l'endroit approprié où s'effectue la collecte, recommandé par le conseil municipal local.

INFORMATIONS DE CONFORMITÉ RÉGLEMENTAIRE

› Moteurs équipés de i-Pilot

Pour des informations réglementaires sur les moteurs ayant un i-Pilot installé en usine, veuillez vous reporter au manuel en ligne i-Pilot sur minnkotamotors.com.

› Modèle: CoPilot

Ces informations ne s'appliquent qu'aux moteurs ayant un système CoPilot installé en usine.

- Contient IC: 4397A-M05COPLT
- Contient une ID de la FCC: M05COPLT



CONFORMITÉ FCC

CONFORMITÉ FCC

Cet appareil est conforme à la section 15 des règles de la FCC. **Son fonctionnement est soumis aux deux conditions suivantes :**

1. Ce dispositif ne doit pas causer d'interférences nuisibles.
2. Cet appareil doit accepter toute interférence qui peut être reçue, y compris les interférences susceptibles de perturber son fonctionnement.

Les changements ou modifications non expressément approuvés par Johnson Outdoors Marine Electronics, Inc. peuvent annuler le droit d'utilisation de cet équipement accordé à l'utilisateur.

AVIS : Cet équipement a été testé et s'est avéré conforme aux limites pour un appareil numérique de classe B, conformément à la section 15 des règles de la FCC. Ces limites sont conçues pour fournir une protection raisonnable contre les interférences nuisibles dans une installation résidentielle. Cet équipement génère, utilise et peut émettre des fréquences radio et, s'il n'est pas installé et utilisé conformément aux instructions, peut causer des interférences nuisibles pour les communications radio. Il n'existe cependant aucune garantie que des interférences ne se produiront pas dans une installation donnée. **Si cet équipement provoque des interférences nuisibles à la réception radio ou télévision, ce qui peut être déterminé en l'éteignant et en le rallumant, l'utilisateur est encouragé à essayer de corriger l'interférence par une ou plusieurs des mesures suivantes :**

- Réorienter ou déplacer l'antenne de réception.
- Augmenter la distance entre l'équipement et le récepteur.
- Connecter l'équipement à une sortie sur un circuit différent de celui sur lequel est branché le récepteur.
- Consulter le revendeur ou un technicien radio/TV expérimenté.

CONFORMITÉ AUX NORMES D'INDUSTRIE CANADA

Ce produit est conforme aux spécifications techniques applicables d'Industrie Canada. Son fonctionnement est soumis aux deux conditions suivantes: (1) cet appareil ne peut causer d'interférences et (2) il doit tolérer toute interférence, même celle pouvant causer un fonctionnement indésirable de l'appareil.

Les changements ou les modifications non expressément approuvés par Johnson Outdoors Marine Electronics, Inc. peuvent annuler l'autorisation de l'utilisateur de faire fonctionner cet équipement.

COTES ENVIRONNEMENTALES

- Température ambiante de fonctionnement : -10 à 50 °C
- Humidité ambiante de fonctionnement : 5 à 95 %
- Altitude maximale de fonctionnement : 10 000 pieds (3 048 mètres)

SCHÉMA DES PIÈCES ET LISTE DES PIÈCES

RIPTIDE POWERDRIVE - POUSSÉE DE 55/70 LB (24,9/31,8 KG) - 12/24 VOLTS - ARBRE DE 48 PO/54 PO (122 CM/137 CM)

Ce schéma des pièces et cette liste des pièces fournissent les directives pour la dépose de Minn Kota en conformité avec la directive DEEE. Pour de l'information supplémentaire sur l'endroit où vous pouvez éliminer les équipements usagés pour leur recyclage et leur récupération et/ou selon les exigences particulières de l'État membre de l'Union européenne, veuillez communiquer avec le détaillant ou le distributeur duquel vous avez acheté le produit. Outils requis, entre autres : tournevis à tête plate, tournevis cruciforme, jeu de douilles, pinces, cisailles.

TÊTE DE CONTRÔLE RIPTIDE POWERDRIVE >

> Schéma des Pièces de la Tête de Contrôle

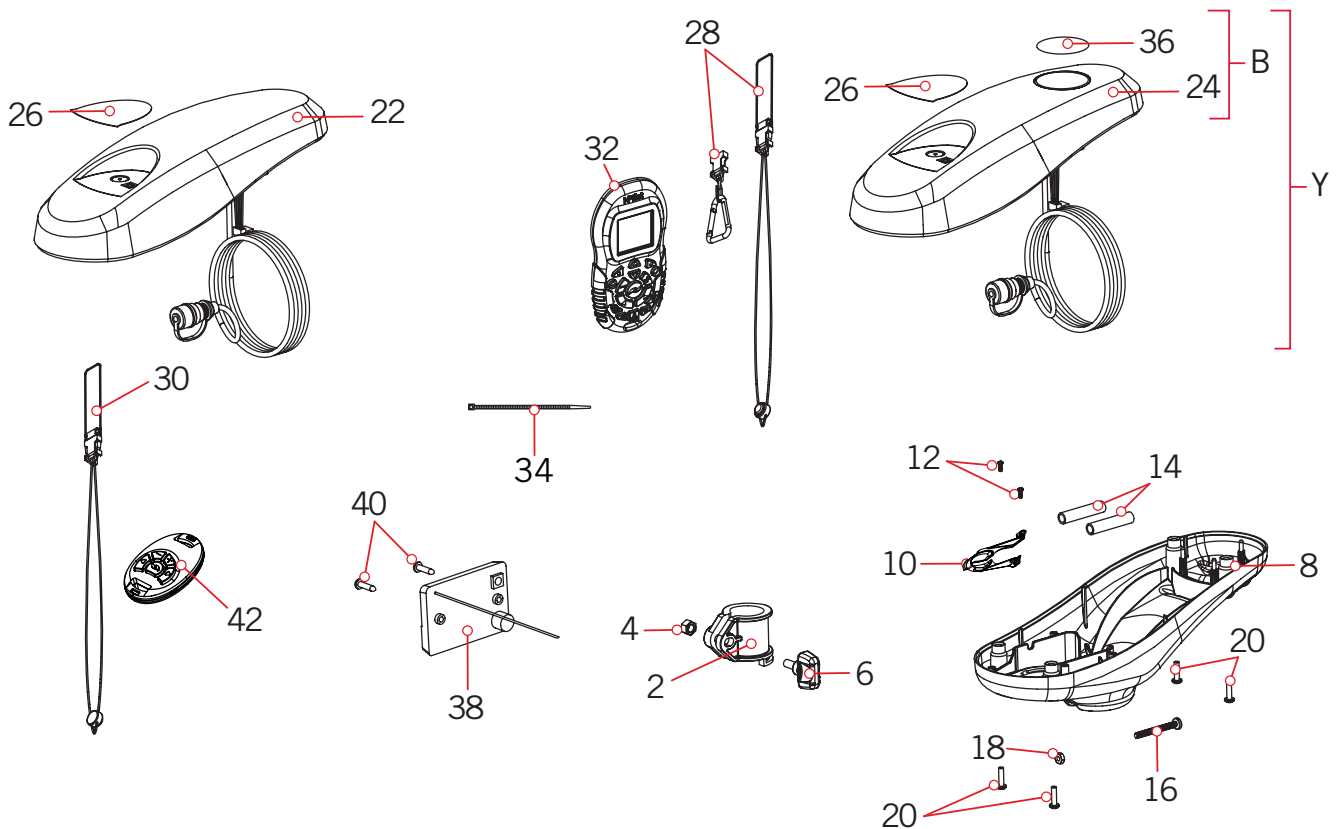


SCHÉMA DES PIÈCES ET LISTE DES PIÈCES

» Liste des Pièces de la Tête de Contrôle

Ensemble	N° de Pièce	Description	Remarques	Quantité
B	2770219 ♦	COVER KIT, RIPTIDE POWERDRIVE	*I-PILOT COVER & DECALS ONLY*	1
Y	2774126 ♦	MOTOR KIT, iP 1.6 RT POWERDRIVE	*i-PILOT RECEIVER*	1
N° d'Article	N° de Pièce	Description	Remarques	Quantité
2	2031522	COLLAR DRIVE (W/INSERT)		1
4	2323104	HEX NUT ¼ -20 SS		1
6	2011366	SCREW-COLLAR/NEW KNOB(SS)	*SALTWATER*	1
8	2292506	CONTROL BOX A/P RT-WHITE	*SALTWATER*	1
10	2224707	PLUG, SCREW-DOWN, WHT		1
12	2372103	SCREW-#6 X .375 PLASTITE SS		2
14	2305402	SHRINK TUBE-.374 OD X 2.25"	*SALTWATER*	2
16	2263406	SCREW-#10-24 X 2" S/S PPH		1
18	2333101	NUT-HEX #10-24 UNC-2B NYL SS	*SALTWATER*	1
20	2372100	SCREW-#8-18 X 5/8 THD* (SS)		5
22	✱	MOTOR KIT, IP 1.6 RT POWERDRIVE		1
24	2290218	COVER, CTRL BOX, RT PD PRINTED		1
	2290213 ♦	COVER, CTRL BOX RT PD PRINTED	*iPILOT*	1
26	2315608	DECAL, COVER, RT PD 55	*55LB*	1
	2315607	DECAL, COVER, RT PD 50	*70LB*	1
	2315731	DECAL-GENERIC, PUSH BTN TOP SW		1
	2395551 ♦	DECAL, PUSH BTN RT PD, TRV/iP 55	*iPILOT*	1
	2315604 ♦	DECAL, PUSH BTN TOP, RT V3 70iP	*iPILOT*	1
28	2390800 ♦	LANYARD, REMOTE W/ CARABINER		1
30	2390801 ●	LANYARD, REMOTE	*COPILOT*	1
32	2994075 ♦	REMOTE ASSY, IPILOT 1.6		1
34	2256300	TIE WRAP - 5.5" BLACK	*70LB*	1
36	2395546 ♦	DECAL. DOMED iPILOT SW		1
38	2994123 ●	RECIEVER ASM CO-PILOT SW		1
40	2373418 ●	SCREW-#8 X 5/8 PPHSMS S/S	*COPILOT ONLY* *SALTWATER*	2
42	2994020 ●	TRASMTR, ASY, PD/AP COPLT	*COPILOT ONLY* *SALTWATER*	1
▲	2397100 ♦	MANUAL, iPILOT 1.6	*i-PILOT*	1
▲	2397106 ♦	GUIDE-QUICK REFERENCE iP 1.6	*iPILOT*	1
▲	2015800	HANG TAG "CAUTION... TILT HINGE"		1
▲	2317123	MANUAL, INSTALL GUIDE, RTPD BT		1
▲	2297165	MANUAL, DISCLAIMER, DOWNLOAD INFO		1
▲	2317121	MANUAL, RT POWERDRIVE BT		1

▲ N'est pas montrée sur le schéma des pièces.

✱ Cette pièce est incluse dans un ensemble et ne peut pas être commandée individuellement.

♦ Uniquement disponible avec les modèles possédant un système i-Pilot ou i-Pilot Link installé en usine.

● Uniquement disponible avec les modèles possédant un système CoPilot installé en usine.

SCHÉMA DES PIÈCES ET LISTE DES PIÈCES

MOTEUR DE 12 VOLTS RIPTIDE POWERDRIVE >

> Schéma des Pièces du Moteur de 12 volts

12 volt - 3,25 po
(8,255 cm)

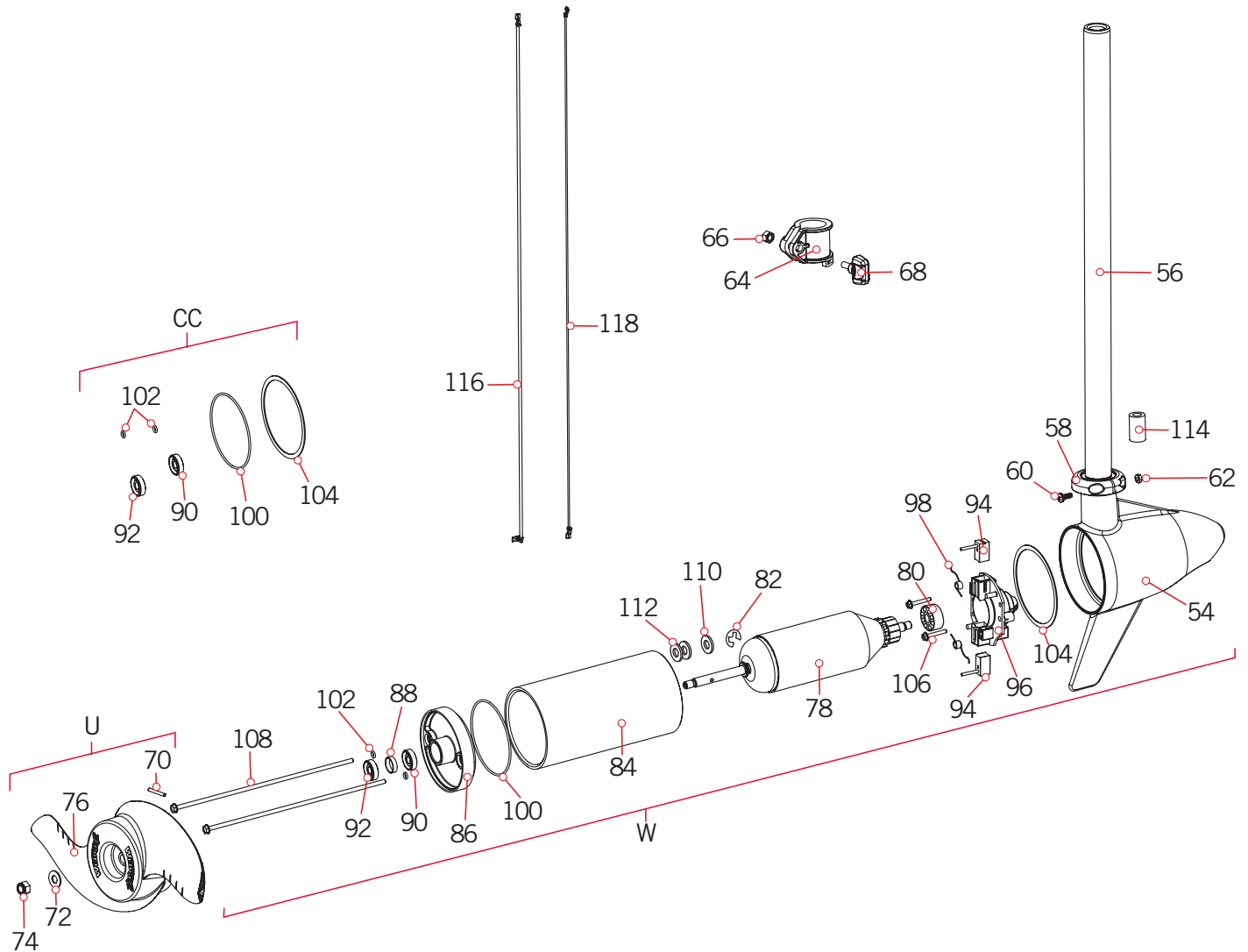


SCHÉMA DES PIÈCES ET LISTE DES PIÈCES

› Liste des Pièces du Moteur de 12 volts

Ensemble	N° de Pièce	Description	Remarques	Quantité
W	2097095	MTR ASY 12V 3.62 VS 55#	*SALTWATER*	1
U	1378131	PROP IND 2091160 (WDLS WDGII)		1
CC	2888460	SEAL & O-RING KIT	*3.625*	1
N° d'Article	N° de Pièce	Description	Remarques	Quantité
54	421-336	HSG BRUSH END 3.62 WHITE	*SALTWATER*	1
56	2002000	TUBE COMPOSITE 48" RT/SP-WHT	*SALTWATER* *55LB* *48"	1
	2002001	TUBE COMPOSITE 54" RT/SP-WHT	*55LB* *54"	1
58	2301555	COLLAR-LATCH, PD/AP		1
60	2303434	SCREW-#8-32 X 5/8 MACH PHCR SS		1
62	2303112	NUT-#8-32 NYLOCK SS		1
64	2031522	COLLAR DRIVE (W/INSERT)		1
66	2323104	HEX NUT 1/4 - 20 SS		1
68	2011366	SCREW-COLLAR/NEW KNOB(SS)	*SALTWATER*	1
70	2092600	PIN-DRIVE 1.06" LG (SS)		1
72	2151726	WASHER-5/16 STD (S/S)		1
74	2053101	NUT-PROP,NYLOC (MED) 5/16 SS		1
76	2091160	PROP-WW2 (3 5/8") REAMED		1
78	2-100-117A	ARM ASY 12V 3.62 55#2.88"		1
80	140-010	BALL BEARING		1
82	788-015	RETAINING RING		1
84	2-200-303A	CTR HSG ASY 3.6 MAGNETIZED		1
86	2-400-337A	PLAIN END HSG ASY 3.6 TX/W		1
88	144-049	BEARING - FLANGE	*SERVICE ONLY*	1
90	880-003	SEAL		1
92	880-006	SEAL WITH SHIELD		1
94	188-036	BRUSH ASSEMBLY 3.625 55#		2
96	738-036	BRUSH PLATE WITH HOLDER 3.625		1
98	975-040	SPRING-TORSION		2
100	701-081	O-RING		1
102	701-007	O-RING		2
104	337-036	GASKET		1
106	830-007	SCREW, # 8-32		2
108	830-042	THRU BOLT 10-32 X 8.83	*55LB*	2
110	990-067	WASHER - STEEL THRUST		1
112	990-070	WASHER - NYLATRON		2

▲ N'est pas montrée sur le schéma des pièces.

✳ Cette pièce est incluse dans un ensemble et ne peut pas être commandée individuellement.

◆ Uniquement disponible avec les modèles possédant un système i-Pilot ou i-Pilot Link installé en usine.

● Uniquement disponible avec les modèles possédant un système CoPilot installé en usine.

SCHÉMA DES PIÈCES ET LISTE DES PIÈCES



N° d'Article	N° de Pièce	Description	Remarques	Quantité
114	2307317	BEAD-FERRITE, SHORT		1
116	640-107	LEADWIRE RED 10AWG 65-1/2" GPT		1
118	640-008	LEADWIRE BLK 10AWG 63-1/2" GPT		1

▲ *N'est pas montrée sur le schéma des pièces.*

✘ *Cette pièce est incluse dans un ensemble et ne peut pas être commandée individuellement.*

◆ *Uniquement disponible avec les modèles possédant un système i-Pilot ou i-Pilot Link installé en usine.*

● *Uniquement disponible avec les modèles possédant un système CoPilot installé en usine.*



SCHÉMA DES PIÈCES ET LISTE DES PIÈCES



MOTEUR DE 24 VOLTS RIPTIDE POWERDRIVE >

> Schéma des Pièces du Moteur de 24 volts

24 volt - 3,625 po
(9,208 cm)

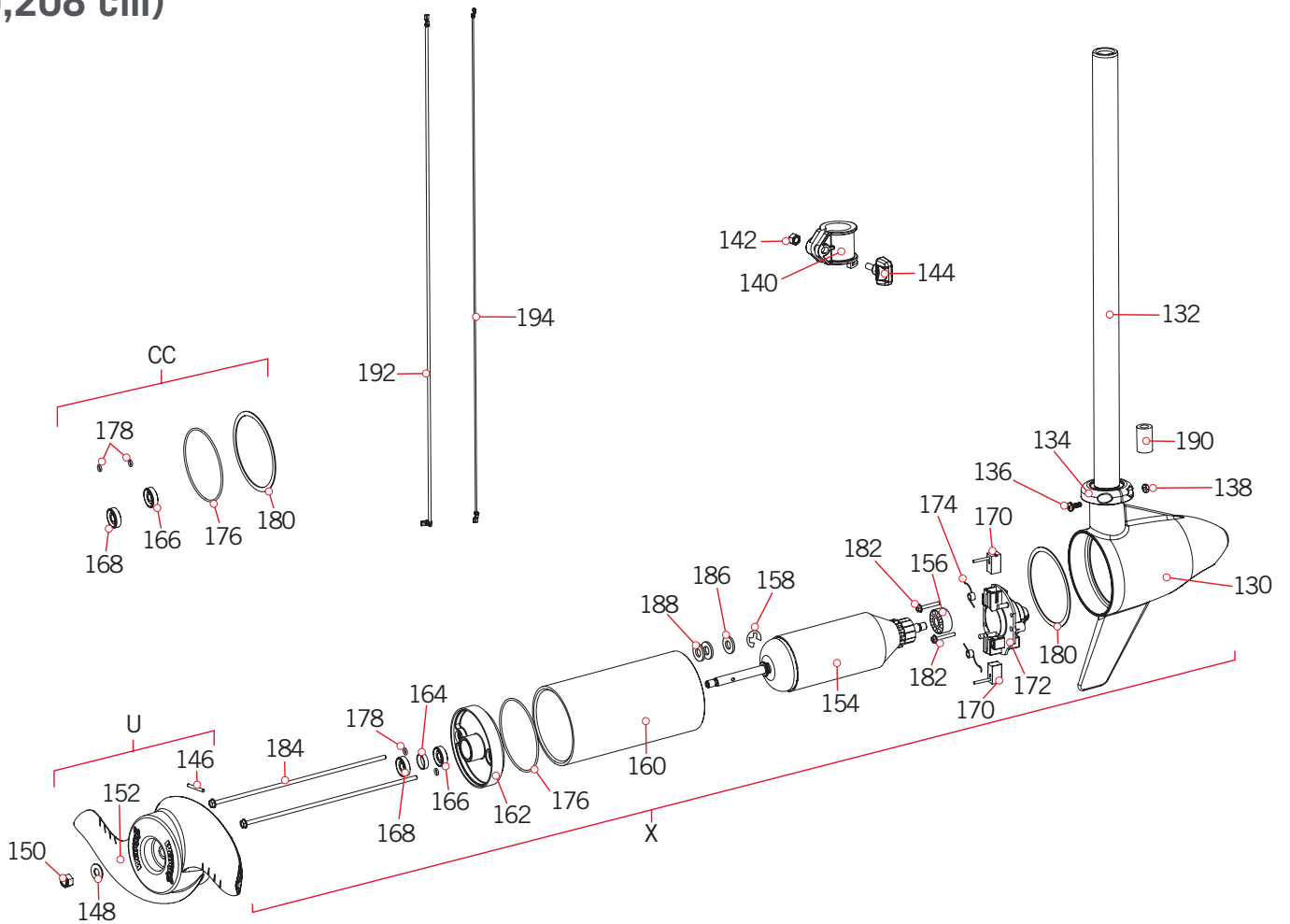


SCHÉMA DES PIÈCES ET LISTE DES PIÈCES

► Liste des Pièces du Moteur de 24 volts

Ensemble	N° de Pièce	Description	Remarques	Quantité
X	2096056	MTR ASY 24V 3.62 VS 70#SW	*SALTWATER*	1
U	1378131	PROP IND 2091160 (WDLS WDGII)		1
CC	2888460	SEAL & O-RING KIT *3.625*		1
N° d'Article	N° de Pièce	Description	Remarques	Quantité
130	421-336	HSG BRUSH END 3.62 WHITE	*SALTWATER*	1
132	2002001	TUBE COMPOSITE 54" RT/SP-WHT	*SALTWATER*	1
134	2301555	COLLAR-LATCH, PD/AP		1
136	2303434	SCREW-#8-32 X 5/8 MACH PHCR SS		1
138	2303112	NUT-#8-32 NYLOCK SS		1
140	2031522	COLLAR DRIVE (W/INSERT)		1
142	2323104	HEX NUT 1/4 - 20 SS		1
144	2011366	SCREW-COLLAR/NEW KNOB(SS)	*SALTWATER*	1
146	2092600	PIN-DRIVE 1.06" LG (SS)		1
148	2151726	WASHER-5/16 STD (S/S)		1
150	2053101	NUT-PROP,NYLOC (MED) 5/16 SS		1
152	2091160	PROP-WW2 (3 5/8") REAMED		1
154	2-100-128	ARM ASSY 24V 3.62 70#		1
156	140-010	BALL BEARING		1
158	788-015	RETAINING RING		1
160	2-200-307	CTR HSG ASM 3.6" SW MAGNETIZED		1
162	2-400-337A	PLAIN END HSG ASY 3.6 TX/W		1
164	144-049	BEARING - FLANGE	*SERVICE ONLY*	1
166	880-003	SEAL		1
168	880-006	SEAL WITH SHIELD		1
170	188-038	BRUSH ASSEMBLY 3.625 70# 6H3		2
172	9-738-038	BRUSH PLATE WITH HOLDER 3.625, #70 LOWER UNIT		1
174	975-042	SPRING-TORSION		2
176	701-081	O-RING		1
178	701-007	O-RING THRU BOLT		2
180	337-036	GASKET		1
182	830-007	SCREW, # 8-32		2
184	830-008	THRU BOLT 10-32 x 9.205 70LB		2
186	990-067	WASHER - STEEL THRUST		1
188	990-070	WASHER - NYLATRON		2
190	2307314	BEAD-FERRITE		1

▲ N'est pas montrée sur le schéma des pièces.

✘ Cette pièce est incluse dans un ensemble et ne peut pas être commandée individuellement.

◆ Uniquement disponible avec les modèles possédant un système i-Pilot ou i-Pilot Link installé en usine.

● Uniquement disponible avec les modèles possédant un système CoPilot installé en usine.

SCHÉMA DES PIÈCES ET LISTE DES PIÈCES



N° d'Article	N° de Pièce	Description	Remarques	Quantité
192	640-106	LEADWIRE RED 10 AWG 64 GPT		1
194	640-008	LEADWIRE BLK 10AWG 63-1/2" GPT		1

▲ *N'est pas montrée sur le schéma des pièces.*

✘ *Cette pièce est incluse dans un ensemble et ne peut pas être commandée individuellement.*

◆ *Uniquement disponible avec les modèles possédant un système i-Pilot ou i-Pilot Link installé en usine.*

● *Uniquement disponible avec les modèles possédant un système CoPilot installé en usine.*



BOÎTIER DE DIRECTION DU RIPTIDE POWERDRIVE >

> Schéma des Pièces du Boîtier de Direction

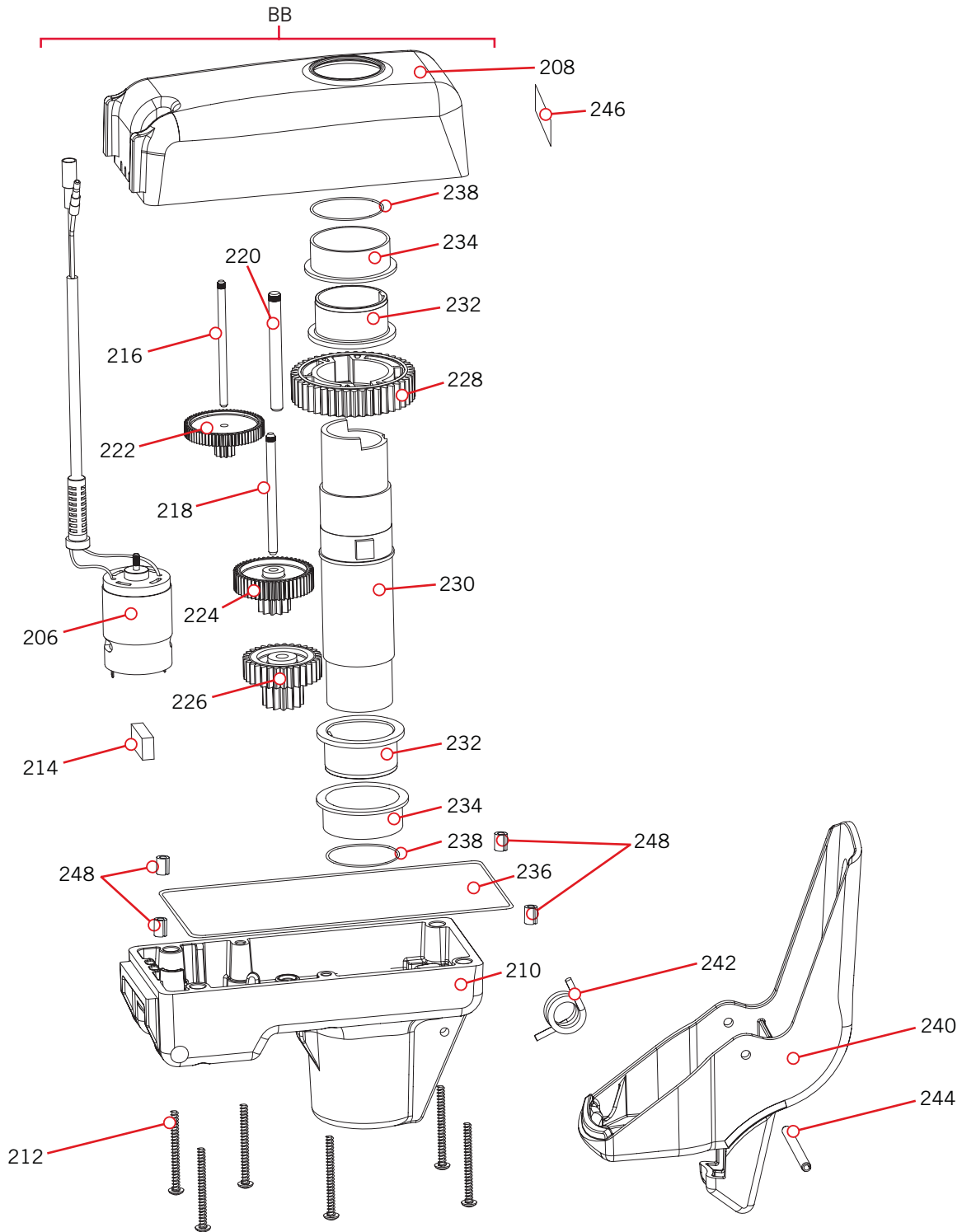


SCHÉMA DES PIÈCES ET LISTE DES PIÈCES

» Liste des Pièces du Boîtier de Direction

Ensemble	N° de Pièce	Description	Remarques	Quantité
BB	2771827	DRIVE HOUSING ASSY, RT SP		1
N° d'Article	N° de Pièce	Description	Remarques	Quantité
206	2307050	MOTOR DR.HSG PD/AP 12,24V		1
208	2302543	CASE-UPPER,ALUM, SW - WHITE		1
210	2302562	CASE-LOWER, ALUM, SW - WHITE		1
212	2303408	SCREW-#8-32 TYPE F TORX PH SS		6
214	2308601	BREATHER FILTER, DR.HOUSING		1
216	✘	SHAFT-GEAR, FIRST CLUSTER		1
218	✘	SHAFT-GEAR,INTERMED.CLUSTER		1
220	✘	SHAFT-GEAR, THIRD CLUSTER		1
222	2302245	GEAR & PINION,DR. HSG, STAGE 2		1
224	2302250	GEAR & PINION,DR. HSG, STAGE 3		1
226	2302255	GEAR & PINION,DR. HSG, STAGE 4		1
228	2302260	GEAR-OUTPUT SHAFT,STG 5		1
230	2302010	SHAFT-OUTPUT, DR.HOUSING		1
232	2307304	BUSHING-INNER, UPPER/LOWER		2
234	2307305	BUSHING-OUTER, UPPER/LOWER		2
236	2304603	O-RING-SHAFT SEAL UPPER/LOW		2
238	2304604	O-RING-CASE SEAL		1
240	2307201	LEVER,GRIP GLIDE II		1
242	2302750	SPRING-LATCH,TORSION,PD/AP,S/S		1
244	2302628	PIN-ROLL,3/16 X 2.5" SS		1
246	2305641	DECAL - STOW/DEPLOY; POWERDRIVE		1
248	2302605	PIN-ROLL 5/16" X 1/2"		4

▲ N'est pas montrée sur le schéma des pièces.

✘ Cette pièce est incluse dans un ensemble et ne peut pas être commandée individuellement.

◆ Uniquement disponible avec les modèles possédant un système i-Pilot ou i-Pilot Link installé en usine.

● Uniquement disponible avec les modèles possédant un système CoPilot installé en usine.

SCHÉMA DES PIÈCES ET LISTE DES PIÈCES

PÉDALE POWERDRIVE »

» Schéma des Pièces de la Pédale

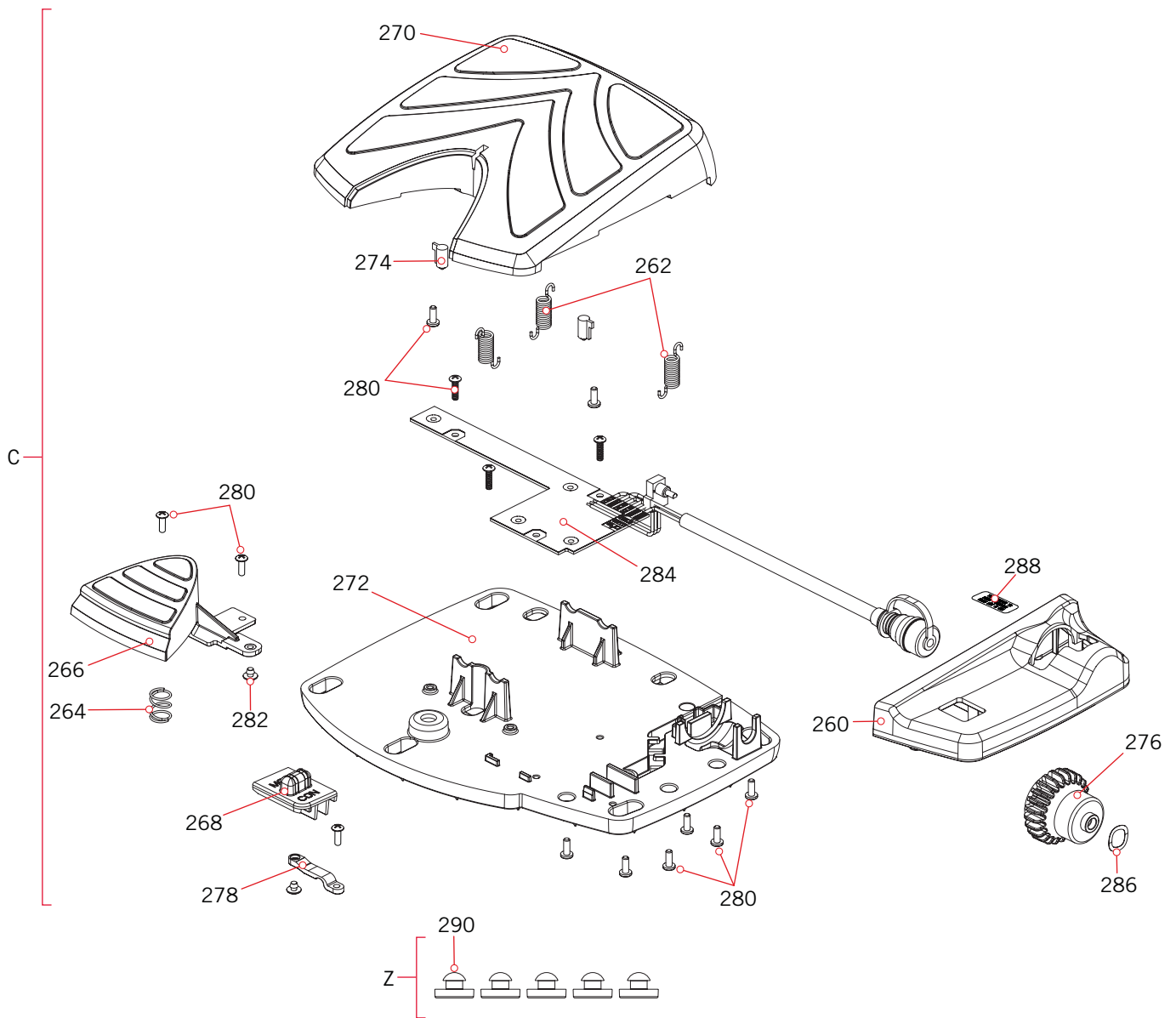


SCHÉMA DES PIÈCES ET LISTE DES PIÈCES

» Liste des Pièces de la Pédale

Ensemble	N° de Pièce	Description	Remarques	Quantité
C	2994728	FOOT PEDAL ASSEMBLY, PD		1
Z	2994859	BAG ASY-TERROVA/V2,RUB.BUMPERS		1
N° d'Article	N° de Pièce	Description	Remarques	Quantité
260	2300275	COVER-SPEED SELECTOR,PD FP,BLK		1
262	2302730	SPRING-LONG-UPPER PEDAL		3
264	2302732	SPRING-LOWER PEDAL S/S		1
266	2303725	BUTTON-MOMENTARY, PD FP, BLK		1
268	2303730	BUTTON-MOM/CON, PD FP, BLK		1
270	2304406	PEDAL, STRG ROCKER, PD FP, BLK		1
272	2304508	BASE, PEDAL PD		1
274	2305136	BUMPER,STRG RCKR,PD FP,RUBBER		2
276	2307905	WHEEL-SPEED, PD FP, BLK		1
278	2308609	SWITCH LEVER, SINGLE		1
280	2302105	SCREW #6-19 X 3/8 HIGH-LOW SS		14
282	2335130	BUMBER ACTUATOR		2
284	2994053	PCB/CTRL CORD, PD FT PEDAL		1
286	2301750	WASHER, WAVE, PD V3 FP		1
288	2316600	DECAL-ON/OFF SWITCH/PD V2 PED		1
290	2325110	PAD, FOOT PEDAL PD		5

▲ N'est pas montrée sur le schéma des pièces.

✘ Cette pièce est incluse dans un ensemble et ne peut pas être commandée individuellement.

◆ Uniquement disponible avec les modèles possédant un système i-Pilot ou i-Pilot Link installé en usine.

● Uniquement disponible avec les modèles possédant un système CoPilot installé en usine.

SCHEMA DES PIÈCES ET LISTE DES PIÈCES

SUPPORT RIPTIDE POWERDRIVE >

> Schéma des Pièces du Support

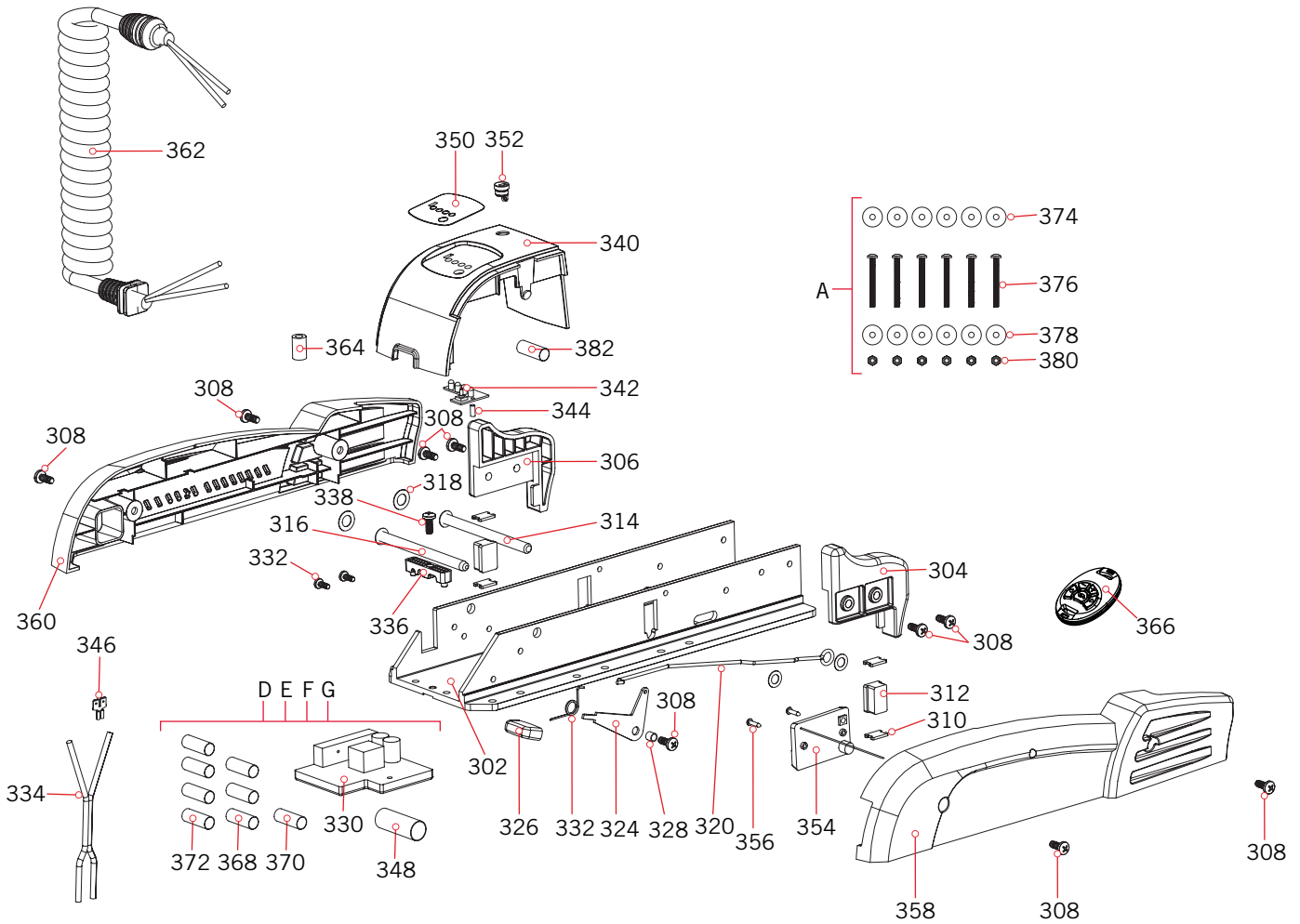


SCHÉMA DES PIÈCES ET LISTE DES PIÈCES

» Liste des Pièces du Support

Ensemble	N° de Pièce	Description	Remarques	Quantité
A	2994864	BAG ASSEMBLY - (BOLT, NUT, WASHERS)		1
D	2884058	CONTROL BOARD-24V V2 W AP W/SHRNK	*AUTOPILOT*	1
E	2884055	CONTROL BRD-12V V2 W/O AP W/SHRNK		1
F	2884057	CONTROL BOARD-12V V2 W/AP W/SHRNK	*AUTOPILOT*	1
G	2884056	CONTROL BRD-24V V2 W/O AP W/SHRNK		1
N° d'Article	N° de Pièce	Description	Remarques	Quantité
302	2301937	EXTRUSION BASE PD V2	*SALTWATER*	1
304	2303932	MOTOR REST-RIGHT, 3 5/8"		1
306	2303937	MOTOR REST-LEFT, 3 5/8"		1
308	2332104	SCREW-1/4-20 X 5/8 S/S	*SALTWATER*	9
310	2335110	PAD-PIVOT SUPPORT(SS)	*SALTWATER*	4
312	2305103	PIVOT PAD,559 FB DUROMETER 90A		2
314	2330510	PIN-LATCH (PD BASE)SS	*SALTWATER*	1
316	2330520	PIN-PIVOT (PD BASE)SS	*SALTWATER*	1
318	2333100	NUT-SPEED (SS)	*SALTWATER*	4
320	2303612	ROD-RELEASE (RT/AP) S/S		1
322	2322700	SPRING-TORSION		1
324	2333705	LEVER-RELEASE S/S	*SALTWATER*	1
326	2300101	RELEASE-KNOB		1
328	2301700	SPACER-RELEASE LEVER-BRASS		1
330	2304067	CONTROL BOARD-24V V2 W/AP	*AUTOPILOT*	1
	2304064	CONTROL BRD-12V V2 W/O AP		1
	2304066	CONTROL BOARD-12V V2 W/AP	*AUTOPILOT*	1
	2304065	CONTROL BRD-24V V2 W/O AP		1
332	2303434	SCREW-#8-32 X 5/8 MACH PHCR SS		3
334	2090651	LEADWIRE,10 GA, PD/GENESIS		1
336	2321310	STRAIN RELIEF		1
338	2323405	SCREW-1/4-20 X 1/2" MCH SS		1
340	2306571	HOUSING-CENTER RT-WHITE	*SALTWATER*	1
342	2074081	BATTERY METER, 24V	*SALTWATER* *70LB*	1
	2074080	BATTERY METER, 12V	*SALTWATER* *55LB*	1
244	2383428	SCREW-#4-24 X 5/8 HI-LO SS		1
246	2320710	TERMINAL-AMP (T-TAB)		1
248	2325401	SHRINK TUBE-3/4 ID X 2" W/ADHS		1
350	2305642	DECAL,BATTERY METER PD V2 SW	*SALTWATER*	1

▲ N'est pas montrée sur le schéma des pièces.

✳ Cette pièce est incluse dans un ensemble et ne peut pas être commandée individuellement.

◆ Uniquement disponible avec les modèles possédant un système i-Pilot ou i-Pilot Link installé en usine.

● Uniquement disponible avec les modèles possédant un système CoPilot installé en usine.

SCHÉMA DES PIÈCES ET LISTE DES PIÈCES

N° d'Article	N° de Pièce	Description	Remarques	Quantité
352	2302935	STRAIN RELIEF-DR. HOUSING		1
354	2994112 ●	TRANS/REC ASY PD V2 SW	*COPILOT ONLY* *SALTWATER*	1
356	2373418 ●	SCREW-#8 X 5/8 PPHSMS S/S	*COPILOT ONLY* *SALTWATER*	2
358	2303982	SIDEPLATE-RIGHT RT-WHITE	* SALTWATER*	1
360	2303987	SIDEPLATE-LEFT RT-WHITE	*SALTWATER*	1
362	2991280	COIL CRD W/STRN RLF, PD 48"/54"		1
364	2307313	BEAD-FERRITE		1
366	2994020 ●	TRASMTR, ASY, PD/AP COPLT	*COPILOT ONLY* *SALTWATER*	1
368	2305410	SHRINK TUBE-.315 OD X 2.25"	*SALTWATER*	3
370	2305415	SHRINK TUBE-.472 ID X 2.25"	*SALTWATER*	1
372	2305403	SHRINK TUBE-.500 IDX1.0" ADHSV	*SALTWATER*	4
374	2263462	SCREW-1/4-20 X 2" S/S PPH ADJT		6
376	2261713	WASHER-1/4 FLAT 18-8 SS		6
378	2263103	NUT-1/4-20 NYLOCK SS		6
380	2301720	WASHER-MOUNTING - RUBBER		6
382	2375400	SHRINK		1

▲ N'est pas montrée sur le schéma des pièces.

✘ Cette pièce est incluse dans un ensemble et ne peut pas être commandée individuellement.

◆ Uniquement disponible avec les modèles possédant un système i-Pilot ou i-Pilot Link installé en usine.

● Uniquement disponible avec les modèles possédant un système CoPilot installé en usine.

ACCESSOIRES RECOMMANDÉS

CHARGEURS DE BATTERIE EMBARQUÉS ET PORTATIFS

Ne plus acheter de nouvelles batteries et commencer à prendre soin de celles déjà en votre possession. Plusieurs chargeurs peuvent en fait endommager les batteries à la longue, pouvant entraîner une autonomie réduite et une durée de vie plus courte. Les chargeurs Minn Kota à commande numérique assurent une charge rapide pour une protection et une durée de vie prolongée.



MK212PC



MK210D



MK110PD

ANCRE POUR EAUX PEU PROFONDES TALON

Voici le tout nouveau Talon à nouvelle conception profilée. Talon est la seule ancre pour eaux peu profondes avec jusqu'à 15 pi (4,6 m) de profondeur d'ancrage, plusieurs modes d'ancrage et le contrôle à partir de la proue, du tableau arrière, de la console, de la télécommande ou d'un appareil mobile.



ÉCLAIRAGE DE TRAVAIL INTÉGRÉ

Vous permet de fixer les lignes et de travailler à partir du tableau arrière à tout moment de la journée, ou de la nuit. Comprend des lumières DEL blanches et bleues avec trois intensités.



JUSQU'À UNE PROFONDEUR DE 15 PI [4,6 M]

Contrôlez plus d'eau et attrapez plus de poissons avec la première ancre de 15 pi (4,6 m) pour eau peu profonde.



CONNECTIVITÉ BLUETOOTH®

Vous permet de contrôler votre Talon à partir de votre appareil mobile, ainsi que le mettre à jour facilement. Elle ouvre aussi la communication à d'autres options de contrôle.



D'AUTRES OPTIONS DE COMMANDE

- Panneau de commande
- Télécommande sans fil
- Application mobile
- Pédale sans fil
- Connectivité Humminbird^{MD}
- Télécommande i-Pilot[®] et i-Pilot Link



ACCESSOIRES MINN KOTA

Nous offrons un large éventail d'accessoires pour les propulseurs électriques, y compris:

- Un Disjoncteur de 60 A
- Des Supports de Montage
- Des Ensembles Stabilisateur
- Des Rallonges de Poignée
- Des connecteurs de batterie
- Bacs à Batterie
- Des fiches de connexion rapide

