

**KM**

**Coaxial Speakers  
Owner's Manual**

**KM4 | KM65 | KM8**

Manual del Propietario | **Español**  
ALTAVOZ COAX KM

Benutzerhandbuch | **Deutsch**  
KM KOAX-SYSTEM

Manuel d'utilisation | **Française**  
HAUT-PARLEURS COAXIAUX KM

Authorized KICKER Dealer: \_\_\_\_\_

Purchase Date: \_\_\_\_\_

Speaker Model Number: \_\_\_\_\_

### IMPORTANT SAFETY WARNING

Prolonged continuous operation of an amplifier, speaker, or subwoofer in a distorted, clipped or over-powered manner can cause your audio system to overheat, possibly catching fire and resulting in serious damage to your components and/or vehicle. Amplifiers require up to 4 inches (10cm) open ventilation. Subwoofers should be mounted with at least 1 inch (2.5cm) clearance between the front of the speaker and any surface.

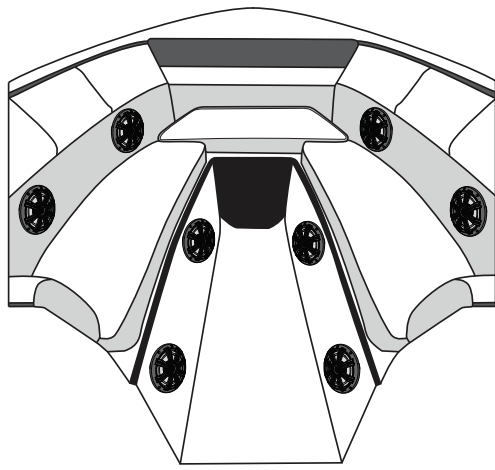
The KICKER KM coaxial speakers are specifically designed for mounting in free-air applications. The speakers do not require a sealed enclosure for optimum performance. It is important to isolate the sound coming off the front of the driver from the sound radiating from the back of the driver. This isolation is usually accomplished by using the driver in a factory speaker location, or in a location with a semi-isolated rear chamber.

## SPECIFICATIONS

<b>Model:</b>	<b>KM4</b>	<b>KM65</b>	<b>KM8</b>
Woofer [in, mm]	4, 100	6-1/2, 165	8, 200
Tweeter [in,mm]	1/2, 13	3/4, 20	1, 25
Rated Impedance [ $\Omega$ ]	2, 4	4	4
Peak Power Handling [ Watts]	150	195	300
Continuous Power Handling [Watts RMS]	50	65	150
Sensitivity [1W, 1m]	89	90	92
Frequency Response [Hz]	60-20k	35-21k	30-21k
Mounting Hole Diameter [in, mm]	3-3/4, 94	5-1/16, 128	6-9/16, 170
Mounting Depth [in, mm]	1-13/16, 46	2-3/8, 59.9	3-5/16, 82.9
Grilles	Yes	Yes	Yes
Tweeter Magnet Material	Neodymium	Neodymium	Neodymium
Tweeter Dome Material	PEI (polyether imide)	Titanium	Titanium
Tweeter Design	Balanced Dome	Dome	Dome
Woofer Cone Material	Polypropylene	Polypropylene	Polypropylene
Woofer Surround Material	Santoprene	Santoprene	Santoprene

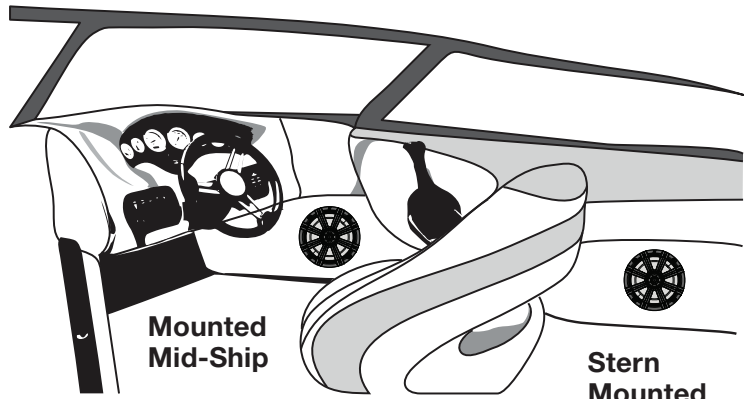
## LOCATION

The sound produced by the KM coaxials is directional. Find the best location for stereophonic sound. If necessary, add more KM coaxial speakers to the system to help distribute and balance the sound-stage. After determining the best mounting locations, carefully check the areas where the mounting hardware will be placed.



**Mounted in the Bow**

**Possible locations for KM Coaxial Speaker Mounting**



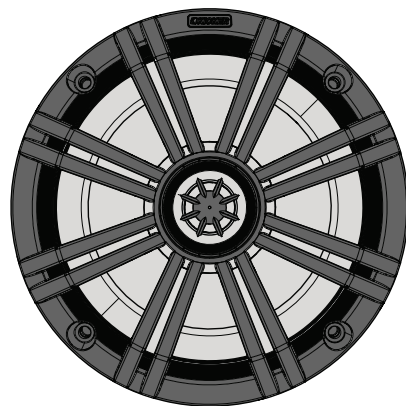
**Mounted Mid-Ship**

**Stern Mounted**

**INSTALLATION**

**Mounting:** Make sure the stainless steel mounting screws and U-type speed clips will not puncture the fuel cell, wiring, or interfere with any mechanical parts on the underside of the mounting surface. Pre-drill the mounting screw holes using a 7/64" (2.5mm) bit, and attach the KM coaxial speakers to the boat by fastening the supplied stainless steel coarse-threaded screws to the boat's structure. If applicable, use the enclosed stainless steel U-type speed clips. If the supplied hardware is not applicable to your installation, some other means of securely attaching the speakers to the boat must be used.

**Wiring:** Carefully place the speaker wire in a location that is clear of standing water and moving components of the boat. For reference, the Blue wire is Positive and the Grey wire is Negative. The locking terminal cover with water resistant gasket is removable for wiring installation; it helps prevent terminal corrosion and electrical shorting. Connect the gold-plated male quick-disconnect on the end of the 7 inch (175mm) speaker wire leads coming out of the sealed speaker basket to the wires from your amplifier or source unit. Place the connected wires into the locking terminal, making sure the divider separates the blue and silver wire quick disconnects, and snap the locking terminal cover into place. Connect the other end of the wire to your amplifier in accordance with its owner's manual. Mount the locking terminal cover in a location free and clear of standing water by utilizing the supplied zip ties through the integrated loops in the locking terminal cover.

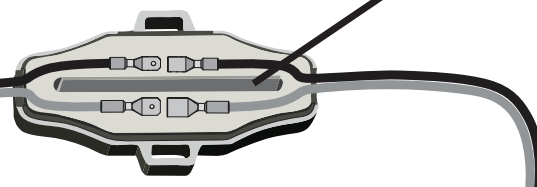


**Mount the speaker and grille right side-up to take advantage of the coaxial system's integrated moisture draining system.**

**Locking Terminal Cover**

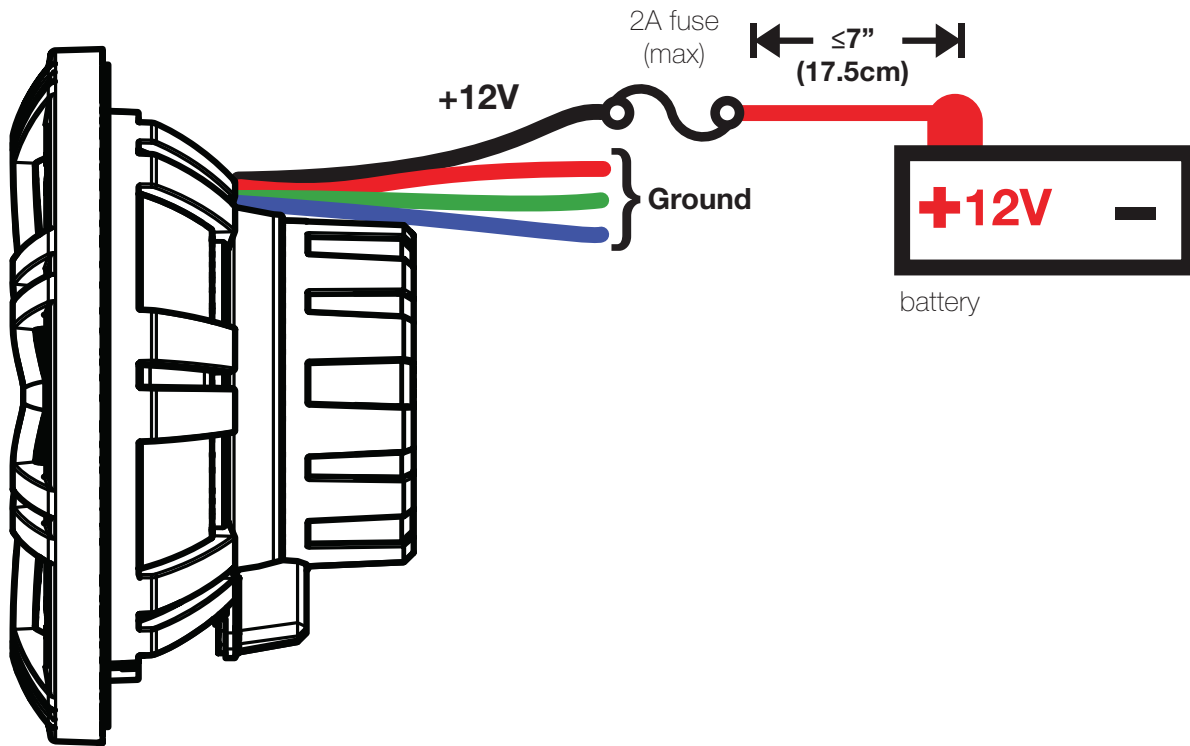


**Wire Divider**



**Loops for mounting with Zip Ties**

**LED Wiring (KM65/KM8 only):** When hard-wiring the RGB lighting, the black lead is +12V and the red, green, and blue leads are ground. There are seven colors available, depending on your wiring configuration. KICKER recommends using the KMLC lighting controller (sold separately) for more colors, patterns, and special effects.



**Color Combinations:** Splice and combine the ground wires to yield a different color.

<b>Red</b>	<b>Red</b>
<b>Green</b>	<b>Green</b>
<b>Blue</b>	<b>Blue</b>
<b>Red/Green</b>	<b>Lime Green</b>
<b>Red/Blue</b>	<b>Magenta</b>
<b>Blue/Green</b>	<b>Aquamarine</b>
<b>Red/Green/Blue</b>	<b>Blue-White</b>

**Pro Tip:** You are one KMA Amplifier and a few cables away from a complete, high-quality system with rock-solid bottom end as only available from KICKER! Please ask your dealer about KICKER KMA amplifier upgrades.

**Note:** KICKER Marine speakers meet or exceed industry standards for environmental humidity and corrosion, and for material degradation due to UV exposure. All specifications and performance figures are subject to change. Please visit [www.kicker.com](http://www.kicker.com) for the most current information.

## **ACOUSTICS LIMITED WARRANTY**

When purchased from an Authorized KICKER Dealer, KICKER warrants this product to be free from defects in material and workmanship under normal use for a period of ONE (1) YEAR from date of original purchase. If this product is identified as "Refurbished" or "B Goods", the warranty is limited to a period of THREE (3) MONTHS from date of original purchase. In all cases you must have the original receipt. Should service be necessary under this warranty for any reason due to manufacturing defect or malfunction during the warranty period, KICKER will repair or replace (at its discretion) the defective merchandise with equivalent merchandise. Warranty replacements may have cosmetic scratches and blemishes. Discontinued products may be replaced with more current equivalent products. This warranty is valid only for the original purchaser and is not extended to owners of the product subsequent to the original purchaser. Any applicable implied warranties are limited in duration to a period of the express warranty as provided herein beginning with the date of the original purchase at retail, and no warranties, whether express or implied, shall apply to this product thereafter. Some states do not allow limitations on implied warranties; therefore, these exclusions may not apply to you. This warranty gives you specific legal rights; however you may have other rights that vary from state to state.

### **WHAT TO DO IF YOU NEED WARRANTY OR SERVICE:**

Defective merchandise should be returned to your local Authorized Stillwater Designs (KICKER) Dealer for warranty service. Assistance in locating an Authorized Dealer can be found at [www.kicker.com](http://www.kicker.com) or by contacting Stillwater Designs directly. You can confirm that a dealer is authorized by asking to see a current authorized dealer window decal.

If it becomes necessary for you to return defective merchandise directly to Stillwater Designs (KICKER), call the KICKER Customer Service Department at (405) 624-8510 for a Return Merchandise Authorization (RMA) number. Package only the defective items in a package that will prevent shipping damage, and return to:

**Stillwater Designs, 3100 North Husband St, Stillwater, OK 74075**

The RMA number must be clearly marked on the outside of the package. Please return only defective component systems. The return of functioning items increases your return freight charges. Non-defective items will be returned freight collect to you. For example, if a subwoofer is defective, only return the defective subwoofer, not the entire enclosure. Include a copy of the original receipt with the purchase date clearly visible, and a "proof-of-purchase" statement listing the Customer's name, Dealer's name and invoice number, and product purchased. Warranty expiration on items without proof-of-purchase will be determined from the type of sale and manufacturing date code. Freight must be prepaid; items sent freight-collect, or COD, will be refused.

### **WHAT IS NOT COVERED?**

This warranty is valid only if the product is used for the purpose for which it was designed. It does not cover:

- o Damage due to improper installation
- o Subsequent damage to other components
- o Damage caused by exposure to moisture, excessive heat, chemical cleaners, and/or UV radiation
- o Damage through negligence, misuse, accident or abuse. Repeated returns for the same damage may be considered abuse
- o Any cost or expense related to the removal or reinstallation of product
- o Speakers damaged due to amplifier clipping or distortion
- o Items previously repaired or modified by any unauthorized repair facility
- o Return shipping on non-defective items
- o Products with tampered or missing barcode labels
- o Products with tampered or missing serial numbers
- o Products returned without a Return Merchandise Authorization (RMA) number
- o Products purchased from an UNAUTHORIZED dealer
- o Freight Damage
- o The cost of shipping product to KICKER
- o Service performed by anyone other than KICKER



### **HOW LONG WILL IT TAKE?**

KICKER strives to maintain a goal of one-week service for all acoustics (subwoofers, midrange drivers, tweeters, crossovers, etc) returns. Delays may be incurred if lack of replacement inventory or parts is encountered. Failure to follow these steps may void your warranty. Any questions can be directed to the KICKER Customer Service Department at (405) 624-8510. Contact your International KICKER dealer or distributor concerning specific procedures for your country's warranty policies.

**Note:** All specifications and performance figures are subject to change. Please visit [www.kicker.com](http://www.kicker.com) for the most current information. To get the best performance from your new KICKER speakers, we recommend using genuine KICKER accessories and wiring. Please allow two weeks of break-in time for the speakers to reach optimum performance

## **INTERNATIONAL WARRANTY**

Contact your International KICKER dealer or distributor concerning specific procedures for your country's warranty policies.

WARNING: KICKER products are capable of producing sound levels that can permanently damage your hearing! Turning up a system to a level that has audible distortion is more damaging to your ears than listening to an undistorted system at the same volume level. The threshold of pain is always an indicator that the sound level is too loud and may permanently damage your hearing. Please use common sense when controlling volume.

Our goods come with guarantees that cannot be excluded under the **Australian Consumer Law**. You are entitled to a replacement or refund for a major failure and for compensation for any other reasonably foreseeable loss or damage. You are also entitled to have the goods repaired or replaced if the goods fail to be of acceptable quality and the failure does not amount to a major failure.

### **GARANTÍA INTERNACIONAL**

### ***Versión Español***

Comuníquese con su concesionario o distribuidor KICKER internacional para obtener información sobre procedimientos específicos relacionados con las normas de garantía de su país.

ADVERTENCIA: Los excitadores KICKER son capaces de producir niveles de sonido que pueden dañar permanentemente el oído. Subir el volumen del sistema hasta un nivel que produzca distorsión es más dañino para el oído que escuchar un sistema sin distorsión al mismo volumen. El dolor es siempre una indicación de que el sonido es muy fuerte y que puede dañar permanentemente el oído. Sea precavido cuando controle el volumen.

La frase "combustible para vivir la vida Livin' Loud™ a todo volumen" se refiere al entusiasmo por la vida que la marca KICKER de estéreos de automóvil representa y a la recomendación a nuestros clientes de que vivan lo mejor posible ("a todo volumen") en todo sentido. La línea de altavoces y amplificadores KICKER es la mejor del mercado de audio de automóviles y por lo tanto representa el "combustible" para vivir a todo volumen en el área de "estéreos de automóvil" de la vida de nuestros clientes. Recomendamos a todos nuestros clientes que obedezcan todas las reglas y reglamentos locales sobre ruido en cuanto a los niveles legales y apropiados de audición fuera del vehículo.

### **INTERNATIONALE GARANTIE**

### ***Deutsche Version***

Nehmen Sie mit Ihren internationalen KICKER-Fachhändler oder Vertrieb Kontakt auf, um Details über die Garantieleistungen in Ihrem Land zu erfahren.

WARNUNG: KICKER-Treiber können einen Schallpegel erzeugen, der zu permanenten Gehörschäden führen kann! Wenn Sie ein System auf einen Pegel stellen, der hörbare Verzerrungen erzeugt, schadet das Ihren Ohren mehr, als ein nicht verzerrtes System auf dem gleichen Lautstärkepegel. Die Schmerzschwelle ist immer eine Anzeige dafür, dass der Schallpegel zu laut ist und zu permanenten Gehörschäden führen kann. Seien Sie bei der Lautstärkeinstellung bitte vernünftig!

Der Slogan "Treibstoff für Livin' Loud" bezieht sich auf die mit den KICKER-Autostereosystemen assoziierte Lebensfreude und die Tatsache, dass wir unsere Kunden ermutigen, in allen Aspekten ihres Lebens nach dem Besten ("Livin' Loud") zu streben. Die Lautsprecher und Verstärker von KICKER sind auf dem Markt für Auto-Soundsysteme führend und stellen somit den "Treibstoff" für das Autostereoelebnis unserer Kunden dar. Wir empfehlen allen unseren Kunden, sich bezüglich der zugelassenen und passenden Lautstärkepegel außerhalb des Autos an die örtlichen Lärmvorschriften zu halten.

### **GARANTIE INTERNATIONALE**

### ***Version Française***

Pour connaître les procédures propres à la politique de garantie de votre pays, contactez votre revendeur ou distributeur International KICKER.

AVERTISSEMENT: Les haut-parleurs KICKER ont la capacité de produire des niveaux sonores pouvant endommager l'ouïe de façon irréversible ! L'augmentation du volume d'un système jusqu'à un niveau présentant une distorsion audible endommage davantage l'ouïe que l'écoute d'un système sans distorsion au même volume. Le seuil de la douleur est toujours le signe que le niveau sonore est trop élevé et risque d'endommager l'ouïe de façon irréversible. Réglez le volume en faisant preuve de bon sens!

L'expression "carburant pour vivre plein pot" fait référence au dynamisme de la marque KICKER d'équipements audio pour véhicules et a pour but d'encourager nos clients à faire le maximum ("vivre plein pot") dans tous les aspects de leur vie. Les haut-parleurs et amplificateurs KICKER sont les meilleurs dans le domaine des équipements audio et représentent donc pour nos clients le "carburant pour vivre plein pot" dans l'aspect "installation audio de véhicule" de leur vie. Nous encourageons tous nos clients à respecter toutes les lois et réglementations locales relatives aux niveaux sonores acceptables à l'extérieur des véhicules.

