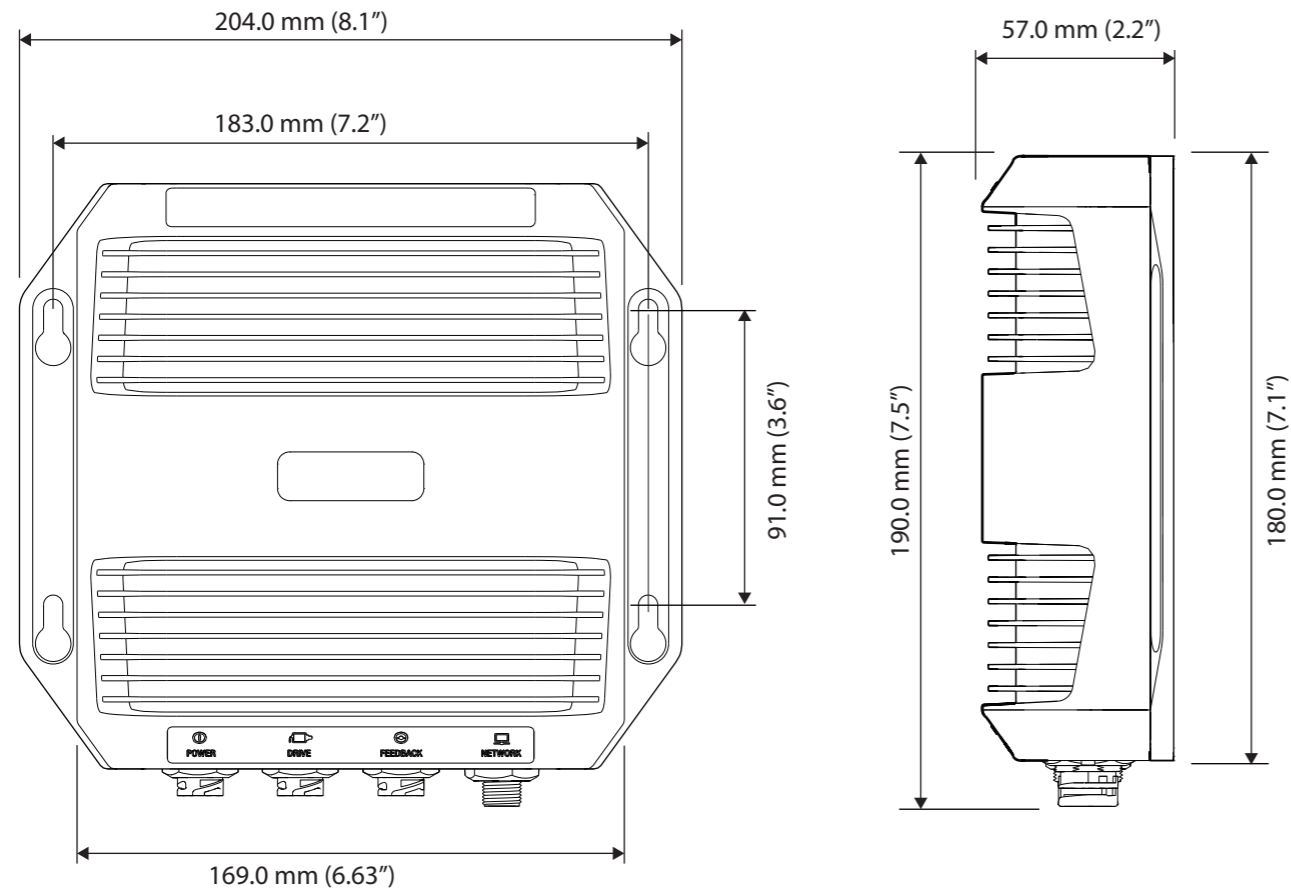
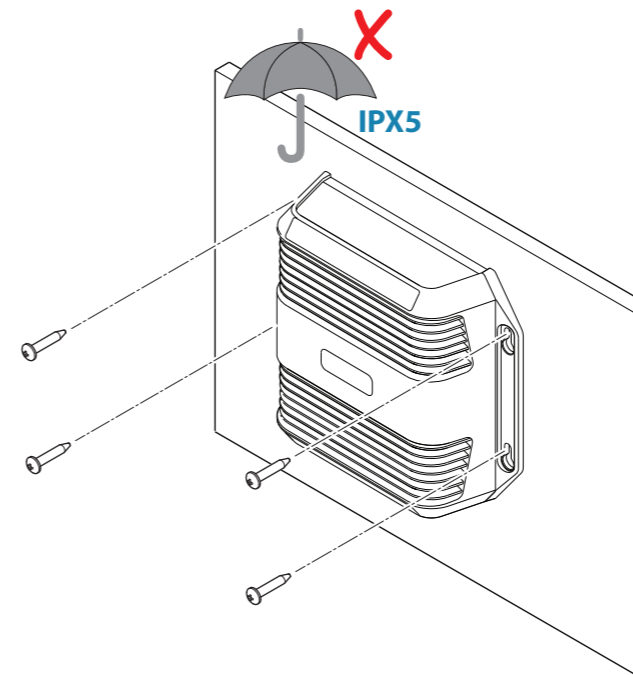


Dimensions



Mounting

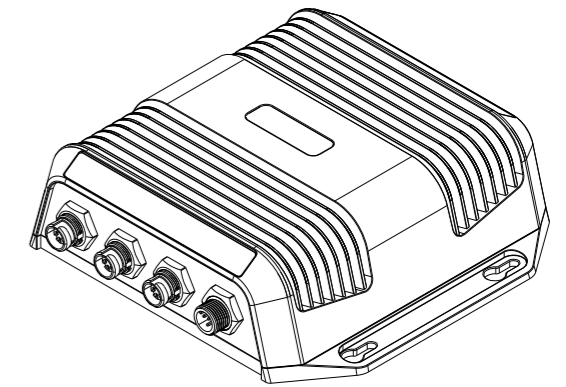


SIMRAD®

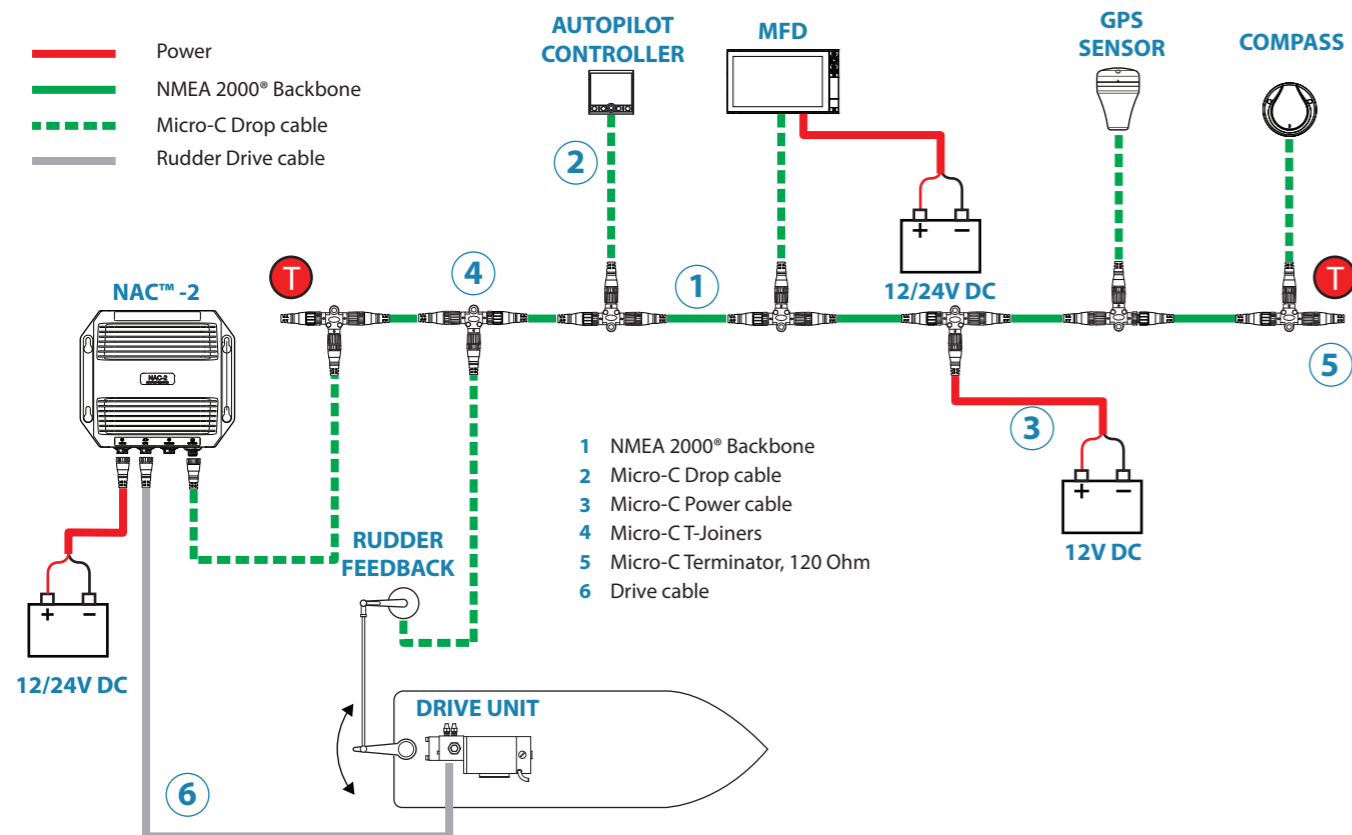
B&G®

NAC™ -2

INSTALLATION GUIDE



System wiring example



For setup instructions, commissioning guide, product manuals, technical specifications, certificates and declarations, refer to the product website:

www.simrad-yachting.com

www.bandg.com

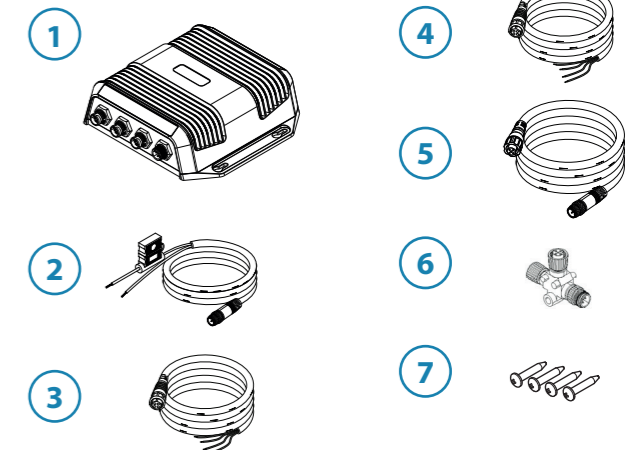
Trademark

®Reg. U.S. Pat. & Tm. Off, and ™ common law marks. Visit www.navico.com/intellectual-property to review the global trademark rights for Navico Holding AS."



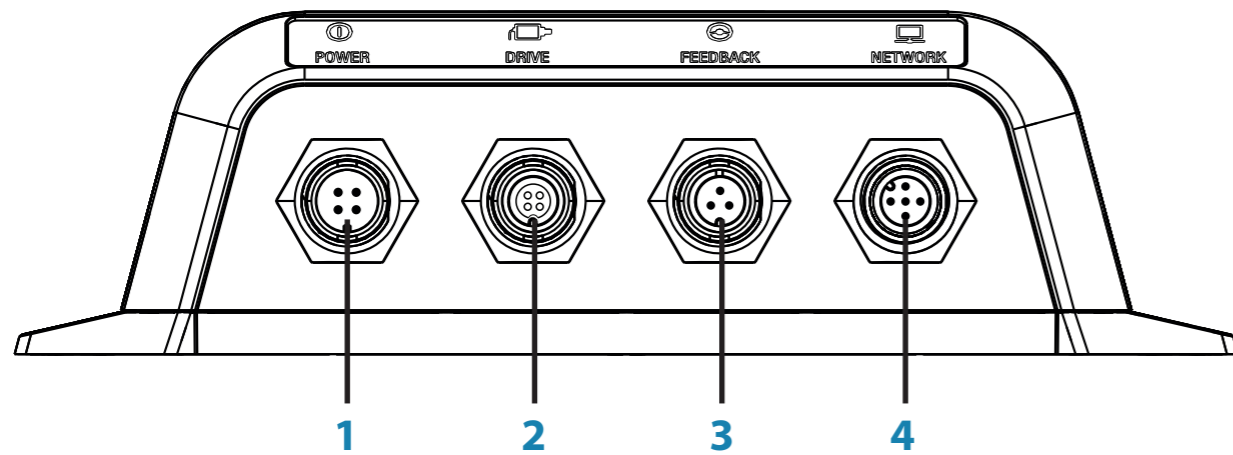
* 9 8 8 - 1 1 1 4 4 - 0 0 2 *

Parts included



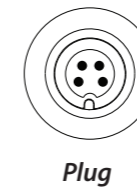
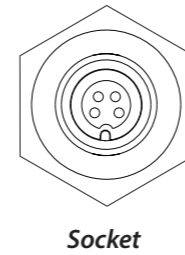
- 1 x NAC™ -2 Autopilot Computer - IPX5
- 1 x NAC™ -2 Power cable - 2 m
- 1 x NAC™ -2 Drive cable - 2 m
- 1 x NAC™ -2 Feedback cable - 2 m
- 1 x NMEA 2000® Network cable - 0.6 m
- 1 x Micro-C T-Joiner
- 4 x Fixing screws
- Warranty card & literature pack

Connectors & Wiring

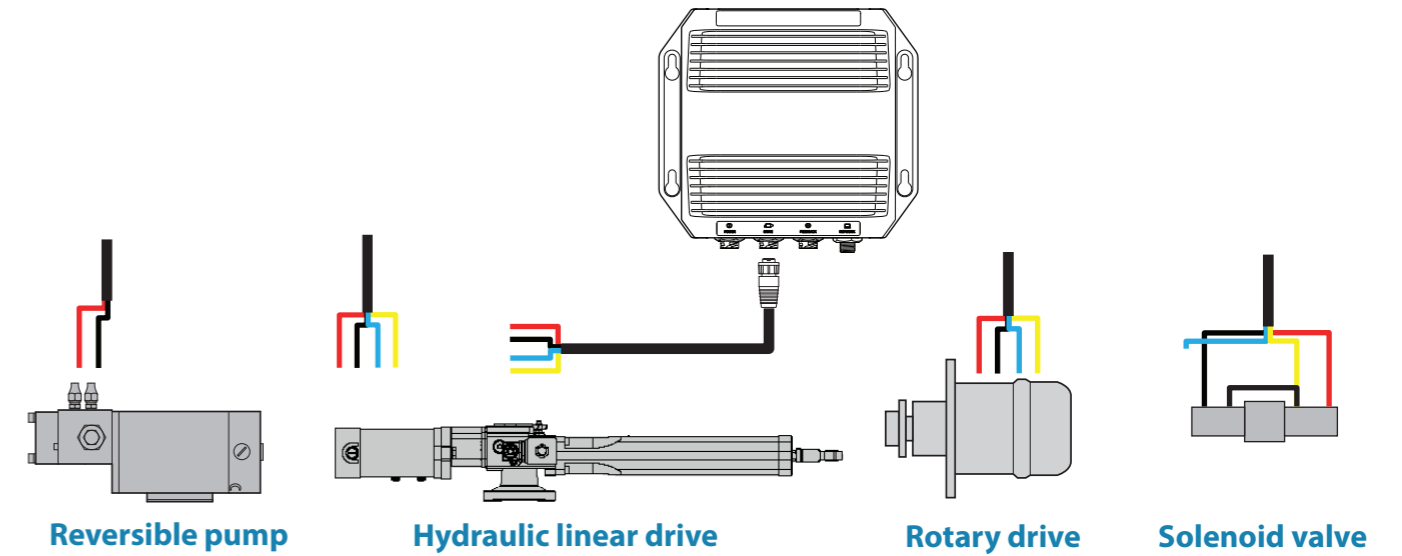


1. **Power** (12 / 24 V DC) - Max 8A/12A Continuous/Peak
2. **Drive** (Drive unit) - Max 8A/12A Continuous/Peak
3. **Feedback** (Rudder reference - Resistive feedback units only)
4. **Network** (NMEA 2000®)

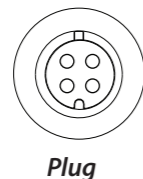
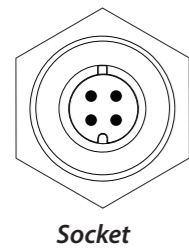
Drive (Max 8A/12A Continuous/Peak)



Key	Function	Color
1	Clutch GND/Solenoid Common	Yellow
2	Clutch	Blue
3	Motor_A	Red
4	Motor_B	Black

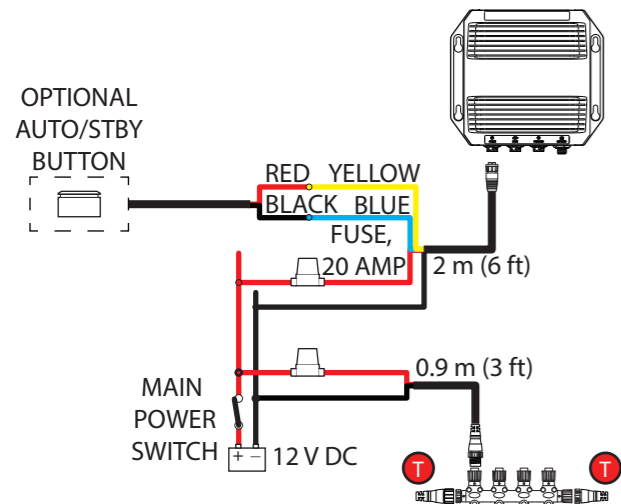


Power

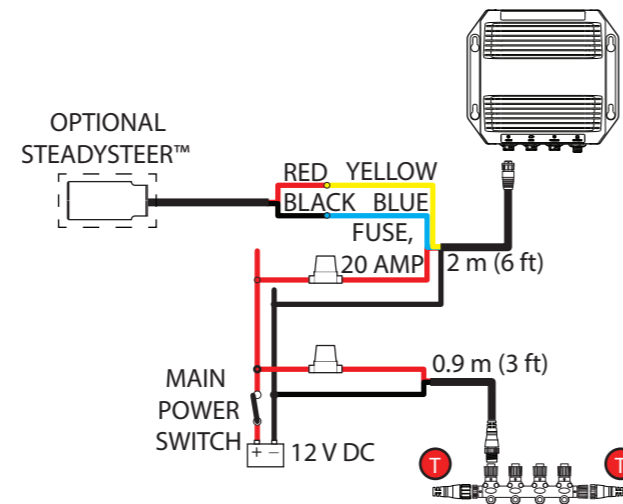


Key	Function	Color
1	- 0V DC	Black
2	+ 12 / 24V DC	Red
3	AUTO/ STBY button or SteadySteer™	Yellow
4	(Optional)	Blue

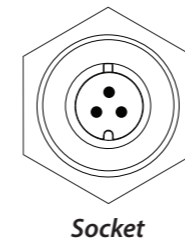
Option 1



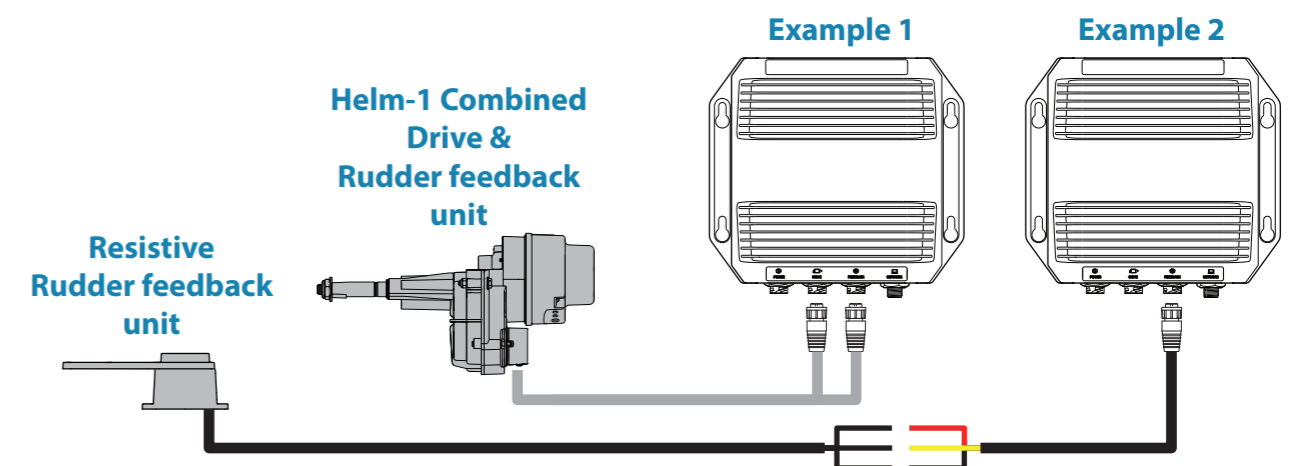
Option 2



Feedback



Key	Function	Color
1	+ 5V DC	Red
2	Signal	Yellow
3	- 0V DC	Black



→ **Note:** Navico NMEA 2000® Rudder feedback units should be connected directly to the NMEA 2000 backbone.