

SMARTSHUNT

Version 0.37

Version : 100A | 300A | 500A



Version : 1000A



ENGLISH	Installation manual – Digital Battery Monitoring SmartShunt	8
DEUTCH	Installationshandbuch - Digitaler Batterieüberwachungs- SmartShunt	17
FRANCAIS	Manuel d'installation - SmartShunt surveillance de batterie numérique	27
ITALIANO	Manuale d'installazione - SmartShunt digitale di protezione della batteria	37
ESPAÑOL	Manual de instalación - Derivador digital de control de batería	47
NEDERLANDS	Installatie handleiding - Digitale accubewaking SmartShunt	58
POLSKI	Instrukcja instalacji - Cyfrowy bocznik akumulatora	67
DANSK	Installation s vejledning - Digital batteriovervågning SmartShunt	77
SVENSK	Installationsmanual - Digital batteribevakningsshunt	86
NORSK	Installasjons handbok - Digital akkumulator overvåknings SmartShunt	95
SUOMEKSI	Asennusopas - Digitaalinen akkumonitori ja shuntti	104

ENGLISH

1	Important Notices.....	8
1.1	Limited Warranty	
2	Safety	8
2.1	Symbols for warning indications	
3	General information.....	9
	Two operation modes	9
4	Installation.....	10
4.1	Mounting recommendation	
4.2	NMEA2000 specifications	
4.3	Connectors	
	Power supply & battery inputs B1-B3	10
4.3.1	External temperature sensor inputs	11
4.3.2	Shunt	11
4.3.3	NMEA2000 compatible M12 connector	11
4.4	LED Indications	
5	Configuring SMARTSHUNT... 	12
6	Configuring via WIFI	14
6.1.1	Homepage	14
6.1.2	Battery configuration.....	14
6.1.3	Shunt configuration page ...	14
6.1.4	Info page.....	14
6.2	Configuration via LXNAV	
	Exxx device	
6.2.1	Battery setup	14
6.2.2	Shunt setup	14
7	First operation.....	14
8	Dimensions.....	15
9	Wiring.....	16

DEUTSCH

1	Wichtige Hinweise	17
1.	Eingeschränkte Garantie	8
2	Sicherheit	17
2.1	Symbole für Warnhinweise	
3	Allgemeine Informationen.. 	18
	Zwei Betriebsmodi	18
4	Installation.....	19
4.1	Montageempfehlung	
4.2	NMEA2000 specifications	10
4.3	Verbinder	10
	Stromversorgung & Batterieeingänge B1-B3.....	19
4.3.1	Externe Temperatursensor-Eingänge.....	20
4.3.2	Shunt.....	20
4.3.3	NMEA2000-kompatibler M12-Stecker	20
4.4	LED-Anzeigen	
5	Konfigurierend SMARTSHUNT	21
6	Konfiguration über WLAN ...	23
6.1.1	Homepage	23
6.1.2	Batteriekonfiguration.....	23
6.1.3	Shunt Seite "Konfiguration"	23
6.1.4	Info page	23
6.2	Configuration via LXNAV	
	Exxx device	14
6.2.1	Battery setup.....	23
6.2.2	Shunt setup.....	23
7	Erste Inbetriebnahme	24
8	Dimensionen	25
9	Verdrahtung	26

FRANCAIS

1	Avis importants	27
1.1	Garantie limitée	
2	Sécurité	27
2.1	Symboles pour les indications d'avertissement	
3	Informations générales.....	28
2	modes opérationnels.....	28
4	Installation	29
4.1.1	Recommandation de montage	29
4.2	Spécifications NMEA2000	
4.3	Connecteurs	
	Alimentation et entrées batterie B1-B3	29
4.3.1	Entrées externes du capteur de température	30
4.3.2	Shunt.....	30
4.3.3	Connecteur M12 compatible NMEA2000	30
4.4	Indicateurs LED	
5	Configuration du SMARTSHUNT	31
6	Configuration via WIFI.....	33
6.1.1	Page d'accueil	33
6.1.2	Configuration de la batterie	33
6.1.3	Sur cette page, l'utilisateur configure le type de batterie avec toutes les données nécessaires qui sont obligatoires pour des calculs corrects de l'état et de la santé de la batterie.....	33
6.1.4	Page de configuration du shunt	33
6.1.5	Page d'information	33
6.1.6	Configuration via le périphérique LXNAV Exxx	33
6.1.7	Configuration de la batterie	33
6.1.8	Configuration du shunt	33
7	Première opération	34
8	Dimensions	35
9	Câblage.....	36

ITALIANO

1	Avvisi importanti	37
1.1	Garanzia limitata	27
2	Sicurezza.....	37
2.1	Simboli per le indicazioni di avvertimento	27
3	Generalità	38
Due	modalità operative	38
4	Installazione.....	39
4.1	Raccomandazione di montaggio	
4.2	Specifiche NMEA2000	29
4.3	Connettori	29
	Alimentazione e ingressi batteria B1-B3	39
4.3.1	External Ingressi del sensore di temperatura	40
4.3.2	Shunt.....	40
4.3.3	NMEA2000 connettore M12 compatibile	40
4.4	Indicazioni LED	31
5	Configurando SMARTSHUNT	41
6	Configurazione tramite WIFI	43
6.1.1	Homepage.....	43
6.1.2	Configurazione della batteria	43
6.1.3	Pagina di configurazione dello shunt	43
6.1.4	Info page.....	43
6.2	Configurazione via LXNAV Exxx dispositivo	
6.2.1	Configurazione della batteria	43
6.2.2	Shunt apparecchio.....	43
7	Prima operazione.....	43
8	Dimensioni.....	44
9	Cablaggio	45

ESPAÑOL

1 Avisos importantes	46
1.1 Garantía limitada	
2 Seguridad	46
2.1 Símbolos para indicaciones de advertencia	
3 Información general	47
2 modos de operación.....	47
4 Instalación	48
4.1 Recomendación de montaje	
4.2 NMEA2000 specifications	
4.3 Connectors	
Power supply & battery inputs B1-B3	48
4.3.1 Entradas de sensor de temperatura externo	49
4.3.2 Shunt	49
4.3.3 NMEA2000 compatible M12 connector	49
4.4 Indicaciones LED	
5 Configuración de SMARTSHUNT	50
6 Configuración a través de WIFI	52
6.1.1 Homepage	52
6.1.2 Battery configuration.....	52
6.1.3 Página de configuración de derivación	52
6.1.4 Página de información.....	52
6.2 Configuration via LXNAV Exxx device	
6.2.1 Configuración de la batería .	52
6.2.2 Shunt setup	52
7 Primera operación.....	53
8 Dimensión	54
9 Alambrado	55

NEDERLANDS

1 Belangrijke mededelingen ..	56
1.1 Beperkte garantie	46
2 Veiligheid.....	56
2.1 Symbolen voor waarschuwingsindicaties	46
3 Algemene informatie.....	57
Twee bedrijfsmodi	57
4 Installatie.....	58
4.1 Montage aanbeveling	48
4.2 NMEA2000 Specificaties	48
4.3 Verbindingslijnen	48
Voeding & batterij-ingangen B1-B3 .	58
4.3.1 Externe temperatuursensoringangen.....	59
4.3.2 Shunt.....	59
4.3.3 NMEA2000 compatibele M12-connector	59
4.4 LED-indicaties	
5 SMARTSHUNT configureren	60
6 Configureren via WIFI	62
6.1 Homepage	
6.2 Batterij configuratie	
6.3 Shunt configuratie pagina	
6.4 Info pagina	
6.5 Configuratie via LXNAV Exxx-apparaat	
6.6 Batterij instellen	
1. Shunt instellen	62
7 Eerste operatie.....	63
8 Dimensies.....	64
9 Bedrading	65

POLSKI

1	Ważne uwagi	66
1.1	Ograniczona gwarancja	
2	Bezpieczeństwo.....	66
2.1	Symbolle wskazujące ostrzeżenia	
3	Informacje ogólne.....	67
	Dwa tryby pracy	67
4	Instalacja	68
4.1	Zalecenie montażu	
4.2	NMEA2000 - specyfikacje i dane techniczne	
4.3	Złącza	
	Zasilacz i wejścia akumulatorowe B1-B3	68
4.3.1	Wejścia zewnętrznych czujników temperatury.....	69
4.3.2	Shunt.....	69
4.3.3	Złącze M12 kompatybilne z NMEA2000	69
4.4	Wskaźniki LED	
5	Konfiguracja SMARTSHUNT	70
6	Konfiguracja przez WIFI	72
6.1	Strona główna	
6.2	Konfiguracja baterii	
6.2.1	Strona konfiguracji bocznika	72
6.2.2	Strona informacyjna	72
6.2.3	Konfiguracja przez urządzenie LXNAV Exxx	72
6.2.4	Konfiguracja baterii	72
6.2.5	Konfiguracja bocznika.....	72
7	Pierwsza operacja	72
8	Wymiary	74
9	Okablowanie.....	75

DANSK

1	Vigtige meddelelser.....	76
1.1	Begrænset garanti	66
2	Sikkerhed.....	76
2.1	Symboler til advarselsindikationer	66
3	Generelle oplysninger.....	77
	To driftstilstande	77
4	Installation	78
4.1	Anbefaling af montering	68
4.2	NMEA2000 specifications	
4.3	Connectors	68
	Strømforsyning og batteriindgange B1-B3	78
4.3.1	Eksterne temperaturfølerindgange	79
4.3.2	Shunt	79
4.3.3	NMEA2000-kompatibelt M12-stik	79
4.4	LED-indikationer	
5	Konfigurere SMARTSHUNT ..	80
6	Konfiguration via WIFI.....	82
6.1.1	Homepage	82
6.1.2	Konfiguration af batteri	82
6.1.3	Shunt Konfigurationside....	82
6.1.4	Info page.....	82
	6.2 Konfiguration via LXNAV Exxx device	
6.2.1	Battery setup	82
6.2.2	Shunt setup	82
7	Første operation	82
8	Dimensioner	83
9	Ledninger.....	84

SVENSK

1 Viktig information	85
1.1 Begränsad garanti	
2 Säkerhet.....	85
2.1 Symboler för varningsindikationer	
3 Allmän information	86
Två driftlägen.....	86
4 Installation.....	87
4.1 Rekommendation för montering	
4.2 NMEA2000 Specifikationer	
4.3 Kontakter	
Strömförsörjning och batteriingångar B1-B3.....	87
4.3.1 Ingångar för extern temperaturgivare	88
4.3.2 Shunt	88
4.3.3 NMEA2000-kompatibel M12-kontakt	88
4.4 LED-indikationer	
5 Konfigurera SMARTSHUNT ..	89
6 Konfigurera via WIFI	91
6.1 Hemsida	
6.2 Batteriets konfiguration	
6.2.1 Shunt configuration page ...	91
1. Info sida.....	91
6.3 Konfiguration via LXNAV Exxx device	
6.3.1 Battery setup	91
6.3.2 Shunt setup	91
7 Första operationen.....	91
8 Mått.....	92
9 Ledningsdragning	93

NORSK

1 Viktige merknader.....	94
1.1 Begrenset garanti	85
2 Sikkerhet	94
2.1 Symboler for advarselsangivelser	85
3 Generell informasjon.....	95
To driftsmoduser.....	95
4 Installasjon	96
4.1 Montering anbefaling	
4.2 NMEA2000 Spesifikasjoner	87
4.3 Connectors	87
Strømforsyning og batteriinganger B1-B3.....	96
4.3.1 Eksterne temperatursensorinnganger	97
4.3.2 Shunt.....	97
4.3.3 NMEA2000-kompatibel M12-kontakt	97
4.4 LED Indications	
5 Konfigurere SMARTSHUNT..	98
6 Konfigurere via WIFI	100
6.1.1 Homepage	100
6.1.2 Battery configuration.....	100
6.1.3 Shunt configuration page..	100
6.1.4 Info side	100
6.2 Konfigurasjon via LXNAV Exxx device	
6.2.1 Battery setup.....	100
6.2.2 Shunt setup.....	100
7 Første operasjon	100
8 Dimensjoner	101
9 Ledningsnett	102

SUOMEKSI

1	Tärkeitä huomautuksia	103
1.1	Rajoitettu takuu	103
2	Turvallisuus	103
2.1	Varoitusmerkkien symbolit	103
3	Yleistä tietoa	104
	Kaksi toimintatilaa	104
4	Asennus	105
4.1.1	Asennussuositus.....	105
4.2	NMEA2000: n tekniset tiedot	105
4.3	Liittimet	105
	Virtalähde ja akkutulot B1-B3	105
4.3.1	Ulkoiset lämpötila-anturin tulot.....	106
4.3.2	Shunt.....	106
4.3.3	NMEA2000-yhteensopiva M12-liitin	106
4.4	LED-merkkivalot	107
5	Määrittäminen SMARTSHUNT	107
6	Konfigurointi kautta WIFI.....	109
6.1.1	Homepage.....	109
6.1.2	Battery konfiguraatio	109
6.1.3	Shuntin määrittämissivu	109
6.1.4	Info page	109
6.2	Konfigurointi kautta LXNAV Exxx device	109
6.2.1	Battery setup	109
6.2.2	Shunt setup	109
7	Ensimmäinen operaatio.....	109
8	Mitat	110
9	Johdotus	111

1 Important Notices

Information in this document is subject to change without notice. LXNAV reserves the right to change or improve their products and to make changes in the content of this material without obligation to notify any person or organization of such changes or improvements.

1.1 Limited Warranty

This digital battery monitoring unit product is warranted to be free from defects in materials or workmanship for two years from the date of purchase. Within this period, LXNAV will, at its sole option, repair or replace any components that fail in normal use. Such repairs or replacement will be made at no charge to the customer for parts and labour, provided that the customer pays for shipping costs. This warranty does not cover failures due to abuse, misuse, accident, or unauthorized alterations or repairs.

THE WARRANTIES AND REMEDIES CONTAINED HEREIN ARE EXCLUSIVE AND IN LIEU OF ALL OTHER WARRANTIES EXPRESSED OR IMPLIED OR STATUTORY, INCLUDING ANY LIABILITY ARISING UNDER ANY WARRANTY OF MERCHANTABILITY OR FITNESS FOR A PARTICULAR PURPOSE, STATUTORY OR OTHERWISE. THIS WARRANTY GIVES YOU SPECIFIC LEGAL RIGHTS, WHICH MAY VARY FROM STATE TO STATE.

IN NO EVENT SHALL LXNAV BE LIABLE FOR ANY INCIDENTAL, SPECIAL, INDIRECT OR CONSEQUENTIAL DAMAGES, WHETHER RESULTING FROM THE USE, MISUSE, OR INABILITY TO USE THIS PRODUCT OR FROM DEFECTS IN THE PRODUCT.

Some states do not allow the exclusion of incidental or consequential damages, so the above limitations may not apply to you. LXNAV retains the exclusive right to repair or replace the unit or software, or to offer a full refund of the purchase price, at its sole discretion. SUCH REMEDY SHALL BE YOUR SOLE AND EXCLUSIVE REMEDY FOR ANY BREACH OF WARRANTY.

To obtain warranty service, contact your local LXNAV dealer or contact LXNAV directly.

April 2020

2 Safety

2.1 Symbols for warning indications

The following warning indications are used in this manual in the context of safety.



Notes with a red triangle indicates that great potential danger exists that can lead to serious injury or death. It also describes procedures which are critical and may result in loss of data or any other critical situation.



A Yellow triangle is shown for parts of the manual which should be read very carefully and are important when operating the E500/E700/E900.



A bulb icon is shown when a useful hint is provided to the reader.

Pass on the safety instructions to other users.

General rules and laws concerning safety and accident prevention must always be observed.

© 2020 LXNAV. All rights reserved.

3 General information

LXNAV SMARTSHUNT is smart battery monitoring unit compatible with NMEA2000 network standard. It accurately measures DC voltages of up to three batteries bounded in series and includes shunt for current measurements. It estimates state of charge, state of health and remaining time until empty battery. Up to three temperatures can be measured. It supports multiple types of batteries and can be configured through any LXNAV Exxx device or via webpage accessible over internal Wi-Fi hotspot. Parameters set there are available on NMEA2000 network to any device such as LXNAV's E350, E500 etc. LXNAV SMARTSHUNT is available in four versions with 100, 300, 500 and 1000A shunt. All of them are 25 mV. For proper installation read next chapters carefully.

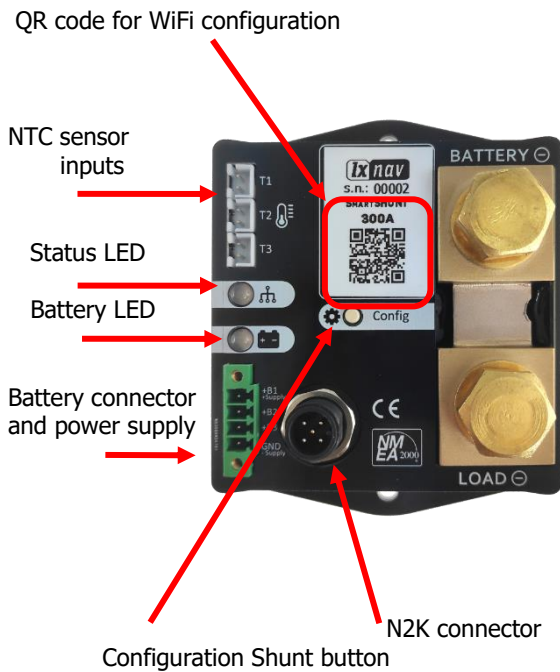


Figure 1: SMARTSHUNT - top view

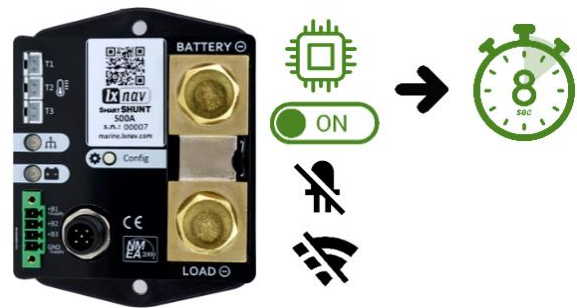
Two operation modes

The SmartSHUNT operates in 2 modes:

1. LOW POWER MODE

To consume as less energy as possible, the SmartSHUNT goes in "Low power mode" when the following conditions are met:

- ✓ NMEA2000 connection is offline
- ✓ No load connected
- ✓ Charger is not connected
- ✓ SOC is valid



The SmartSHUNT wakes up periodically (8s) from low power mode to check the conditions between LOW POWER MODE / NORMAL POWER MODE operation. In this mode, the shunt is measuring if the above conditions (low power mode) are still met. If so, the device continues to run in Low power mode otherwise it switches to normal operation.



The user can force the SHUNT to enter normal operation mode by pressing the button on the unit for 8 seconds (for the whole sleep period). It will stay in normal operation for 10 minutes. If after 10 minutes conditions to enter low power mode are met, shunt will re-enter in low power mode.

Every 2 hours, the SmartSHUNT goes to normal operation for 2 minutes even when all of the above conditions are met in order to recalculate the algorithm every once in a while.

2. NORMAL POWER MODE

In normal power mode, the SmartSHUNT is visible on the NMEA2000 network, the LEDS indicates the SHUNT status (see section 4.4) and the Wi-Fi for configuration and monitoring the battery.



4 Installation

4.1 Mounting recommendation

SMARTSHUNT has flat bottom and should be mounted with two screws to solid surface next to battery packs to minimize wire length from battery terminals to connector on SMARTSHUNT. With this, measurement error is minimized to minimum.



- Do not work on the electrical system while it is energized.
- Do not install the SmartSHUNT near inflammable substances.
- Do not place the SmartSHUNT in a wet, humid or high temperature compartments.
- Unauthorized modifications exclude manufacturers' liability for any resulting damage.
- Do not mix batteries of various brands, voltages or capacities.

4.2 NMEA2000 specifications

Parameter	Description
Compatibility	NMEA2000 compatible
Bit rate	250 kbps
Connection	A coded M12 connector

Table 1: NMEA2000 specifications

4.3 Connectors

Power supply & battery inputs B1-B3

LXNAV SMARTSHUNT is powered from 4-pin terminal connector from which it also measures voltages of up to three batteries. Maximum allowable voltage on each +Bx terminal is 65 V. When installing, try to make sense wires as short as possible and keep them away from high current sources like cables, electric motors etc.



Figure 2: Battery terminals

Pin name	Description
+B1 (+Supply)	Power supply for device and measuring port for first battery
+B2	Measuring terminal for second battery
+B3	Measuring terminal for third battery
GND (-Supply)	Common ground terminal for all three batteries, also for power Supply

Table 2: Battery connector pinout

4.3.1 External temperature sensor inputs

Each external NTC 10 kΩ temperature sensor is supplied with SMARTSHUNT for additional information of battery status. With it we can calculate even more precise capacity of battery that changes with temperature. Besides that, lifetime of battery also depends on temperature of environment, where battery is stored. Sensor is supplied on 1 m long cable that fits in two pin connectors labeled from T1 to T3. On the other side of cable is ring lug terminal with mounting whole diameter of 3.7 mm. When installing system keep in mind that each sensor number refers to same battery number. For example, sensor T1 is for battery pack B1, T2 for B2 and T3 for B3.



Figure 3: NTC sensors inputs T1-T3

4.3.2 Shunt

SMARTSHUNT is low side current sense device and it must be placed between load and ground. Wire the terminal labelled BATTERY - to battery ground and LOAD - to ground from system load. Depends on power needs use suitable cross sections of cables and screw them with appropriate ring lugs, that are compatible with shunt's bolt thread size of M10. Tighten the shunt bolt with a maximum torque of 21Nm.

Cont.Current	Area
1000A	2x 220mm ²
500A	220mm ²
400A	150mm ²
300A	95mm ²
200A	50mm ²
100A	25mm ²

Table 3: Cable cross sectional area

4.3.3 NMEA2000 compatible M12 connector

M12 5-pin A-coded connector on top of unit is compatible with NMEA2000 and has standard pinout. When installing, follow the recommendations of NMEA2000 network wiring. Always use free Tee connector on existing network. Make sure that connectors are tightened together properly to seal metal contacts inside and prevent oxidation.



Figure 4: M12 N2K connector on SMARTSHUNT

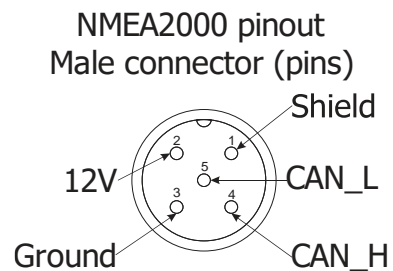


Figure 5: NMEA2000 M12 Male connector pinout (view from unit side)

4.4 LED Indications

SMARTSHUNT unit features two RGB LEDs on top side for quick status indication. One for general status of unit while the other is for battery state of charge indication. All possible modes are described in tables below:

- Status LED:

Colour	Description
Blinking blue LED with 1 Hz	Working CAN network
Blinking blue LED with 10 Hz	Initialization of WIFI network
Solid blue LED	WIFI initialized, configuration disabled
Solid violet LED	WIFI initialized, configuration enabled
Blinking red LED	Hardware fault

Table 4: Status LED color description

- Battery LED:

Colour	Description
Blinking red LED 1 Hz	SMARTSHUNT is not configured
Solid red LED	State of charge <30 %
Solid yellow LED	State of charge <50 %
Solid green LED	State of charge >50 %

Table 5: Battery LED color description

5 Configuring SMARTSHUNT

For proper operation SMARTSHUNT must be configured prior use. Configuration can be performed via WiFi connection or NMEA2000 network with one of LXNAV devices.

There are several parameters that should be either selected from available options or written by the user.

Selecting right parameters is crucial for correct calculations and displaying warnings.

Battery parameter	Options
Bank type	Main battery, primary battery, secondary battery, auxiliary battery, port battery, starboard battery, bow battery, stern battery, solar battery, starter battery, battery bank 1, battery bank 2 and "other" battery
Chemistry type	Lead Acid, Li-Ion, Ni-Cad, Zn-O, Ni-Mh
Battery type	Flooded, GEL, AGM
Nominal voltage	6 V, 12 V, 24 V, 32 V, 36 V, 42 V, 48 V
Rated capacity	Should be set by the user according to battery capacity
Temperature	Celsius, Fahrenheit, Kelvin

Table 7: Battery parameters

Shunt parameter	Options
Peukert exponent	Dependency between battery capacity and discharge rate. Valid values 1.0 ~ 1.5 Initial value is set automatically based on battery chemistry.
Charging efficiency	Charger's efficiency. Valid values 0.6 ~ 1.0 Value is constantly modified during battery lifetime.
Temperature coefficient	Dependency between battery capacity and environment temperature. Valid values 0.0 ~ 1.0
Voltage at battery full (V)	Charger's float voltage. Initial value is set automatically based on battery chemistry and nominal voltage.
Current at battery full (A)	Charger's float current. Initial value is set automatically based on battery chemistry and rated capacity.
Voltage at battery empty (V)	Battery empty voltage. Initial value is set automatically based on battery chemistry and nominal voltage.
Config button action	No action: WiFi is always on and ready for configuration; WiFi power: button press enables or disables WiFi. When enabled, it gets automatically in config mode; WiFi config: WiFi is enabled all the time, with pressing button SMARTSHUNT enters, or exit, config mode;
SoC low limit (%)	0, 5, 10, 15, 20, 25, 30, 35, 40, 45, 50, 55, 60

Table 6: Shunt parameters

Alert parameters:

Parameter values in this menu can be freely selected by the user. When measurements are outside limited values, warning message will be sent to NMEA2000 network and shown on screen of Exxx device. List of available alerts is written below:

Alert parameter	Options
Low voltage	Alert will show up when voltage on battery will be below selected value
High voltage	Alert will show up when voltage on battery will be above selected value
High charge current	Set the maximum charging current
High discharge current	Set upper limit of current that can be drawn by devices
Low temperature	Set low temperature limit for alert
High temperature	Set high temperature limit for alert
Low state of charge	Set when to alert battery remaining capacity

Table 8: Alarm parameter



Press "SAVE" to keep your settings.

6 Configuring via WIFI

SMARTSHUNT has integrated WIFI hot spot to which you can connect with smart phone or any other device that allows web browsing. It can be automatically connected with scanning QR code bellow serial number. You may get a message from the system, that there may not be available internet connection but just simply run your web browser and type in config.lxnav.com. With pressing enter, configuration page will show up. Before changing any parameter, user should put SMARTSHUNT in config mode. That means violet status LED must be lit. In any other mode, settings will not be saved. For enabling WIFI or putting it in config mode press Config button for more than a second.

Configuration webpage that will show up consist of four pages easily selectable on top of the screen: Home, Battery config, Shunt config and Info page.



6.1.1 Homepage

On home page user can view all current data of system in real time that are result of selected values on config pages, for example voltages, temperatures, current drawn, state of charge etc. as well as peak recorded values and history of alarm messages.

6.1.2 Battery configuration

On this page user configures battery type with all necessary data that are mandatory for correct calculations of battery state and health.



Please do not access to the browser via QR code for configuration, because browser does not support popup windows and saving configuration will not be possible.

The only way is to open browser and visit config.lxnav.com. Then you can change and save configuration settings.

6.1.3 Shunt configuration page

All the necessary data related to current measurements should be filled out in this page. There is also button setting for desired WIFI action.

6.1.4 Info page

On this page are all information about device. Its serial number, hardware and software version.

6.2 Configuration via LXNAV Exxx device

Second option for configuration of SMARTSHUNT is via any Exxx device. Assuming that the NMEA2000 network is established battery and shunt configuration pages are accessible under different paths under setting menus. In following two chapters are written paths where menus can be found and their window previews. For operating and calibrating external devices on Exxx units refer also to Exxx user manual.

6.2.1 Battery setup

Parameters related to battery packs should be set in menu that is accessible under this path:

Settings->Network->Device calibration->Battery

6.2.2 Shunt setup

Second configuration menu is found under:

Settings->Network->Connected devices->Device details->Device setup

Parameters there relates to measurements between shunt's terminals. There is also information about WiFi hotspot name and password under which is SMARTSHUNT accessible.

Inside shunt setup is submenu **Alerts configuration** with user selectable parameters limits for warning messages. There are seven warnings available in total.

7 First operation

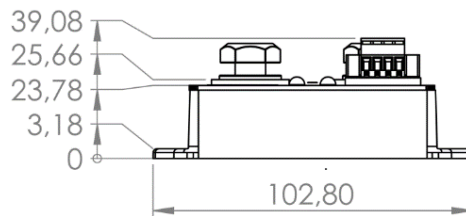
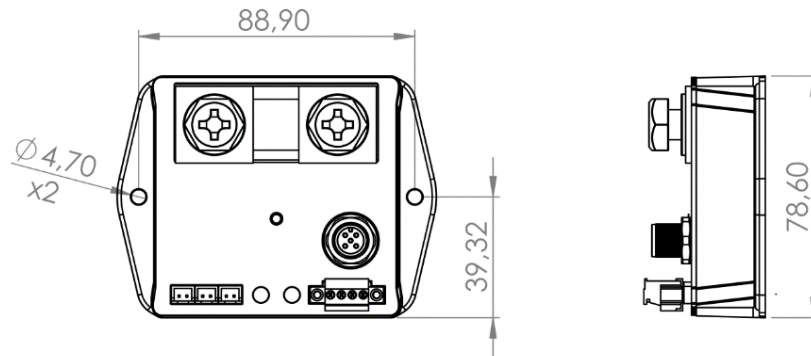
SmartShunt will start to operate normally and indicate real values after initial cycle. Initial cycle is finished, when first time are fulfilled conditions for battery full (Voltage must be higher than voltage setting for full and charge current must drop below full current setting)

To get really good performance, smart shunt will need more charge/discharge cycles, to tune also other parameters like charge efficiency...

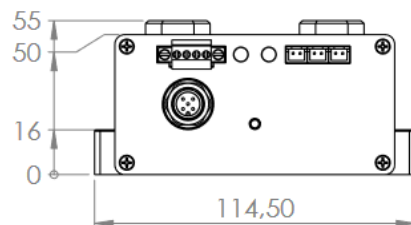
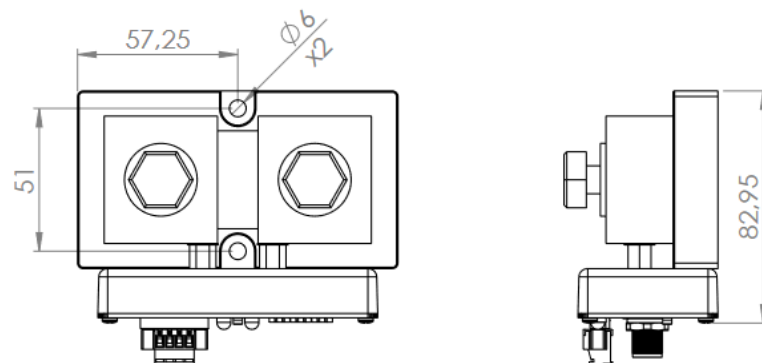
8 Dimensions

Version :

- 100A
- 300A
- 500A



Version : 1000A



Drawing is not to scale

9 Wiring

Figure bellow shows example wiring with combination of three battery packs. In case user has fewer batteries, leave dedicated terminals empty.

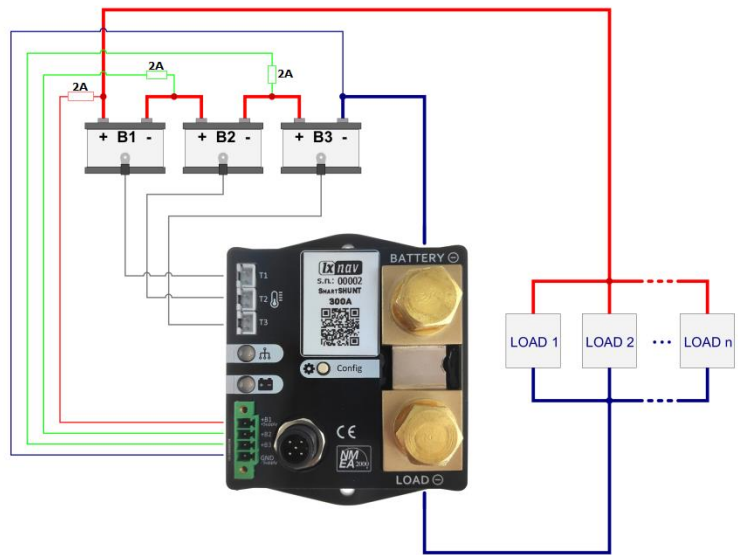


Figure 5: Batteries in series

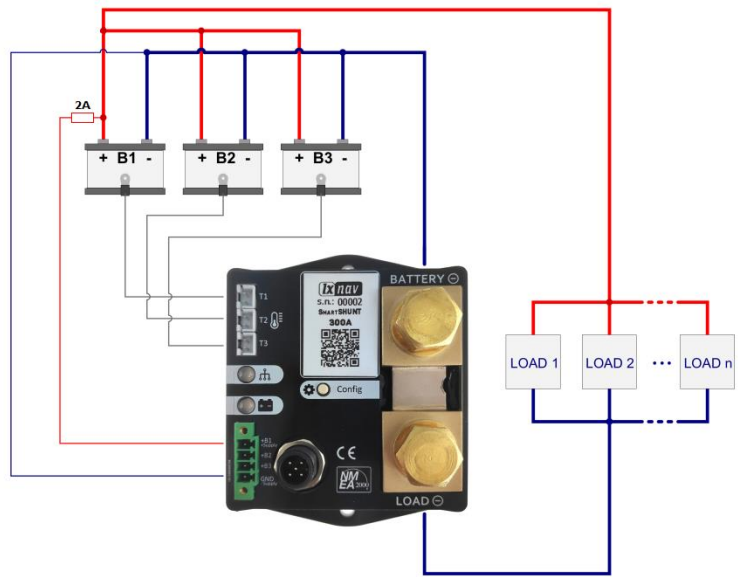


Figure 6: Batteries in parallel

1 Wichtige Hinweise

Die Informationen in diesem Dokument können ohne vorherige Ankündigung geändert werden. LXNAV behält sich das Recht vor, seine Produkte zu ändern oder zu verbessern und Änderungen am Inhalt dieses Materials vorzunehmen, ohne verpflichtet zu sein, eine Person oder Organisation über solche Änderungen oder Verbesserungen zu informieren.

1. Eingeschränkte Garantie

Für dieses digitale Batterieüberwachungsgerät gilt eine Garantie von zwei Jahren ab Kaufdatum, dass es frei von Material- oder Verarbeitungsfehlern ist. Innerhalb dieses Zeitraums wird LXNAV nach eigenem Ermessen alle Komponenten reparieren oder ersetzen, die bei normalem Gebrauch ausfallen. Solche Reparaturen oder Ersatzlieferungen werden dem Kunden kostenlos für Teile und Arbeit berechnet, sofern der Kunde die Versandkosten trägt. Diese Garantie deckt keine Ausfälle ab, die auf Missbrauch, Unfall oder nicht autorisierte Änderungen oder Reparaturen zurückzuführen sind.

DIE HIERIN ENTHALTENEN GARANTIEEN UND RECHTSMITTEL SIND AUSSCHLIESSLICH UND ERSETZEN ALLE ANDEREN AUSDRÜCKLICHEN ODER STILLSCHWEIGENDEN ODER GESETZLICHEN GARANTIEEN, EINSCHLIESSLICH JEDLICHER HAFTUNG, DIE SICH AUS EINER GARANTIE DER MARKTGÄNGIGKEIT ODER EIGNUNG FÜR EINEN BESTIMMTEN ZWECK, GESETZLICH ODER ANDERWEITIG, ERGIBT. DIESE GARANTIE GEWÄHRT IHNEN BESTIMMTE GESETZLICHE RECHTE, DIE VON STAAT ZU STAAT UNTERSCHIEDLICH SEIN KÖNNEN.

IN KEINEM FALL HAFTET LXNAV FÜR ZUFÄLLIGE, SPEZIELLE, INDIREKTE ODER FOLGESCHÄDEN, UNABHÄNGIG DAVON, OB SIE SICH AUS DER VERWENDUNG, DEM MISSBRAUCH ODER DER UNFÄHIGKEIT, DIESES PRODUKT ZU VERWENDEN, ODER AUS MÄNGELN DES PRODUKTS ERGEBEN.

In einigen Staaten ist der Ausschluss von Neben- oder Folgeschäden nicht zulässig, so dass die oben genannten Einschränkungen möglicherweise nicht auf Sie zutreffen. LXNAV behält sich das ausschließliche Recht vor, das Gerät oder die Software nach eigenem Ermessen zu reparieren oder zu ersetzen oder eine vollständige Rückerstattung des Kaufpreises anzubieten. EIN SOLCHER RECHTSBEHELF IST IHR EINZIGER UND AUSSCHLIESSLICHER RECHTSBEHELF BEI EINER VERLETZUNG DER GARANTIE.

Um Garantieleistungen in Anspruch zu nehmen, wenden Sie sich an Ihren LXNAV-Händler vor Ort oder wenden Sie sich direkt an LXNAV.

2 Sicherheit

2.1 Symbole für Warnhinweise

Die folgenden Warnhinweise werden in diesem Handbuch im Zusammenhang mit der Sicherheit verwendet.



Notizen mit einem roten Dreieck weisen darauf hin, dass ein großes Gefahrenpotenzial besteht, das zu schweren Verletzungen oder zum Tod führen kann. Es beschreibt auch Verfahren, die kritisch sind und zu Datenverlusten oder anderen kritischen Situationen führen können.



Ein gelbes Dreieck markiert Teile der Bedienungsanleitung, die man sehr gut lesen sollte und die wichtig bei der Bedienung des E500/E700/E900 sind.



Ein Glühbirnensymbol wird angezeigt, wenn dem Leser ein nützlicher Hinweis gegeben wird.

Geben Sie die Sicherheitshinweise an andere Benutzer weiter.

Allgemeine Regeln und Gesetze zur Sicherheit und Unfallverhütung sind stets zu beachten.

3 Allgemeine Informationen

LXNAV SMARTSHUNT ist eine intelligente Batterieüberwachungseinheit, die mit dem NMEA2000-Netzwerkstandard kompatibel ist. Es misst präzise Gleichspannungen von bis zu drei in Reihe geschalteten Batterien und verfügt über einen Shunt für Strommessungen. Es schätzt den Ladezustand, den Gesundheitszustand und die verbleibende Zeit bis zur leeren Batterie. Es können bis zu drei Temperaturen gemessen werden. Es unterstützt mehrere Batterietypen und kann über jedes LXNAV Exxx-Gerät oder über eine über einen internen WLAN-Hotspot zugängliche Webseite konfiguriert werden. Die dort eingestellten Parameter sind im NMEA2000-Netzwerk für jedes Gerät wie E350, E500 usw. von LXNAV verfügbar. LXNAV SMARTSHUNT ist in vier Versionen mit 100, 300, 500 und 1000A Shunt erhältlich. Alle sind 25 mV. Für eine ordnungsgemäße Installation lesen Sie die nächsten Kapitel sorgfältig durch.

QR-Code für WLAN-Konfiguration

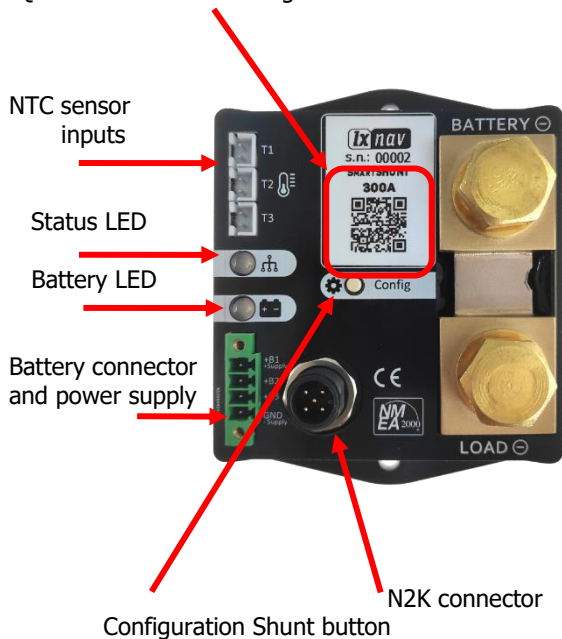


Figure 7: SMARTSHUNT - top view

Zwei Betriebsmodi

Der SmartSHUNT arbeitet in 2 Modi:

1. **LOW POWER MODE**

Um so wenig Energie wie möglich zu verbrauchen, wechselt der SmartSHUNT in den "Low power mode", wenn die folgenden Bedingungen erfüllt sind:

- ✓ NMEA2000 Verbindung ist offline
- ✓ Keine Last angeschlossen
- ✓ Ladegerät ist nicht angeschlossen
- ✓ SOC ist gültig



Der SmartSHUNT wacht regelmäßig (8 Sekunden) aus dem Energiesparmodus auf, um die Bedingungen zwischen dem Betrieb im LOW POWER MODE / NORMAL POWER MODE zu überprüfen.

In diesem Modus misst der Shunt, ob die oben genannten Bedingungen (Energiesparmodus) noch erfüllt sind. Ist dies der Fall, läuft das Gerät im Energiesparmodus weiter, andernfalls schaltet es in den Normalbetrieb.



Der Benutzer kann den SHUNT in den normalen Betriebsmodus versetzen, indem er die Taste am Gerät 8 Sekunden lang (während der gesamten Ruhephase) gedrückt hält.

Es bleibt 10 Minuten im normalen Betrieb. Wenn nach 10 Minuten die Bedingungen für den Wechsel in den Energiesparmodus erfüllt sind, wechselt der Shunt wieder in den Energiesparmodus.

Alle 2 Stunden geht der SmartSHUNT für 2 Minuten in den Normalbetrieb, auch wenn alle oben genannten Bedingungen erfüllt sind, um den Algorithmus von Zeit zu Zeit neu zu berechnen.

2. NORMAL POWER MODE

Im normalen Power-Modus ist der SmartSHUNT im NMEA2000 Netzwerk sichtbar, die LEDs zeigen den SHUNT-Status (siehe Abschnitt 4.4) und das WLAN zur Konfiguration und Überwachung der Batterie an.



4 Installation

4.1 Montageempfehlung

SMARTSHUNT hat einen flachen Boden und sollte mit zwei Schrauben auf fester Oberfläche neben Batteriepacks montiert werden, um die Kabellänge von den Batteriepolen zum Stecker am SMARTSHUNT zu minimieren. Damit wird der Messfehler auf ein Minimum minimiert.

Arbeiten Sie nicht an der elektrischen Anlage, während sie unter Spannung steht.

Installieren Sie den SmartSHUNT nicht in der Nähe von brennbaren Stoffen.

Platzieren Sie den SmartSHUNT nicht in nassen, feuchten oder Hochtemperaturkammern.



Eigenmächtige Änderungen schließen die Haftung des Herstellers für daraus resultierende Schäden aus.

Mischen Sie keine Batterien verschiedener Marken, Spannungen oder Kapazitäten.

4.2 NMEA2000 specifications

Parameter	Beschreibung
Kompatibilität	NMEA2000-kompatibel
Bitfrequenz	250 kbps
Verbindung	Ein codiertes M12 Verbinder

Tabelle 9: NMEA2000-Spezifikationen

4.3 Verbinder

Stromversorgung & Batterieeingänge B1-B3

LXNAV SMARTSHUNT wird über einen 4-poligen Klemmenstecker mit Strom versorgt, von dem aus er auch Spannungen von bis zu drei Batterien misst. Die maximal zulässige Spannung an jeder +Bx-Klemme beträgt 65 V. Versuchen Sie bei der Installation, sinnvolle Drähte so kurz wie möglich zu halten und halten Sie sie von Hochstromquellen wie Kabeln, Elektromotoren usw. fern.



Figure 8: Battery terminals

Pin name	Beschreibung
+B1 (+Supply)	Stromversorgung für Gerät und Messanschluss für erste Batterie
+B2	Messklemme für Zweitbatterie
+B3	Messklemme für dritte Batterie
GND (-Supply)	Gemeinsame Masseklemme für alle drei Batterien, auch für die Stromversorgung Versorgung

Table 10: Battery connector pinout

4.3.1 Externe Temperatursensor-Eingänge

Jeder externe NTC 10 kΩ Temperatursensor wird mit SMARTSHUNT für zusätzliche Informationen über den Batteriestatus geliefert. Damit können wir die Kapazität der Batterie, die sich mit der Temperatur ändert, noch genauer berechnen. Außerdem hängt die Lebensdauer der Batterie auch von der Temperatur der Umgebung ab, in der die Batterie gelagert wird. Der Sensor wird mit einem 1 m langen Kabel geliefert, das in zwei Pin-Steckverbinder passt, die von T1 bis T3 beschriftet sind. Auf der anderen Seite des Kabels befindet sich eine Ringschuhklemme mit einem Montagedurchmesser von 3,7 mm. Beachten Sie bei der Installation des Systems, dass sich jede Sensornummer auf dieselbe Batterienummer bezieht. Zum Beispiel ist Sensor T1 für Akkupack B1, T2 für B2 und T3 für B3.



Figure 9: NTC sensors inputs T1-T3

4.3.2 shunt

SMARTSHUNT ist ein Low-Side-Strommessgerät und muss zwischen Last und Masse platziert werden. Verdrahten Sie die Klemme **mit der Bezeichnung BATTERY** - mit Batteriemasse und **LOAD** - mit Masse von der Systemlast. Je nach Leistungsbedarf geeignete Kabelquerschnitte verwenden und diese mit entsprechenden Ringfahnen verschrauben, die mit der Gewindegröße M10 des Shunts kompatibel sind.

FortsetzungAktuell	Fläche
1000A	2X 220mm ²
500A	220mm ²
400A	150mm ²
300A	95mm ²
200A	50mm ²
100A	25mm ²

Tabelle 11: Querschnittsfläche des Kabels

4.3.3 NMEA2000-kompatibler M12-Stecker

Der 5-polige M12-A-kodierte Stecker auf der Oberseite des Geräts ist mit NMEA2000 kompatibel und verfügt über eine Standard-Pinbelegung. Befolgen Sie bei der Installation die Empfehlungen der NMEA2000-Netzwerkverkabelung. Verwenden Sie immer den freien T-Shirt-Anschluss im vorhandenen Netzwerk. Stellen Sie sicher, dass die Steckverbinder richtig angezogen sind, um Metallkontakte im Inneren abzudichten und Oxidation zu verhindern.



Figure 10: M12 N2K Steckverbinder auf SMARTSHUNT

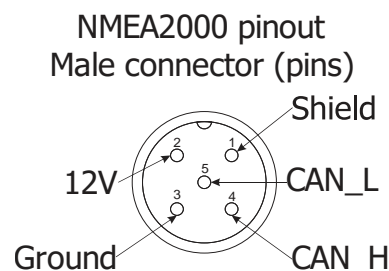


Figure 11: NMEA2000 M12 Stecker Pinbelegung (Ansicht von der Geräteseite)

4.4 LED-Anzeigen

Die SMARTSHUNT-Einheit verfügt über zwei RGB-LEDs auf der Oberseite für eine schnelle Statusanzeige. Eine für den allgemeinen Status des Geräts, während die andere für die Anzeige des Ladezustands der Batterie vorgesehen ist. Alle möglichen Modi sind in den folgenden Tabellen beschrieben:

1. Status-LED:

Farbe	Beschreibung
Blau blinkende LED mit 1 Hz	Funktionierendes CAN-Netzwerk
Blau blinkende LED mit 10 Hz	Initialization of WIFI network
Durchgehend blaue LED	WLAN initialisiert, Konfiguration deaktiviert
Durchgehend violette LED	WLAN initialisiert, Konfiguration aktiviert
Blinking red LED	Hardware-Fehler

Table 12: Farbbeschreibung der Status-LED

1. Batterie-LED:

Farbe	Beschreibung
Blinking red LED 1 Hz	SMARTSHUNT is not configured
Solid red LED	State of charge <30 %
Solid yellow LED	State of charge <50 %
Solid green LED	State of charge >50 %

Table 13: Farbbeschreibung der Batterie-LED

5 Konfigurierend SMARTSHUNT

Für einen ordnungsgemäßen Betrieb muss SMARTSHUNT vor der Verwendung konfiguriert werden. Die Konfiguration kann über eine WLAN-Verbindung oder ein NMEA2000-Netzwerk mit einem der LXNAV-Geräte erfolgen.

Es gibt mehrere Parameter, die entweder aus den verfügbaren Optionen ausgewählt oder vom Benutzer geschrieben werden sollten.

Die Auswahl der richtigen Parameter ist entscheidend für korrekte Berechnungen und die Anzeige von Warnungen.

Batterie-Parameter	Optionen
Art der Bank	Hauptbatterie, Primärbatterie, Sekundärbatterie, Zusatzbatterie, Backbordbatterie, Steuerbordbatterie, Bugbatterie, Heckbatterie, Solarbatterie, Starterbatterie, Batteriebank 1, Batteriebank 2 und "andere" Batterie
Art der Chemie	Lead Acid, Li-Ion, Ni-Cad, Zn-O, Ni-Mh
Batterietyp	Flooded, GEL, AGM
Nennspannung	6 V, 12 V, 24 V, 32 V, 36 V, 42 V, 48 V
Nennkapazität	Sollte vom Benutzer entsprechend der Batteriekapazität eingestellt werden
Temperature	Celsius, Fahrenheit, Kelvin

Table 15: Battery parameters

Parameter "Shunt"	Optionen
Peukert exponent	Abhängigkeit zwischen Batteriekapazität und Entladerate. Gültige Werte 1,0 ~ 1,5 Der Anfangswert wird automatisch basierend auf der Batteriechemie festgelegt.
Effizienz beim Aufladen	Effizienz des Ladegeräts. Gültige Werte 0,6 ~ 1,0 Der Wert wird während der Batterielebensdauer ständig geändert.
Temperaturkoeffizient	Abhängigkeit zwischen Batteriekapazität und Umgebungstemperatur. Gültige Werte 0.0 ~ 1.0
Spannung bei voller Batterie (V)	Erhaltungsspannung des Ladegeräts. Der Anfangswert wird automatisch auf der Grundlage der Batteriechemie und der Nennspannung eingestellt.
Strom bei voller Batterie (A)	Erhaltungsstrom des Ladegeräts. Der Anfangswert wird automatisch auf der Grundlage der Batteriechemie und der Nennkapazität eingestellt.
Spannung bei leerer Batterie (V)	Batterie leere Spannung. Der Anfangswert wird automatisch auf der Grundlage der Batteriechemie und der Nennspannung eingestellt.
Config Schaltflächen-Aktion	Keine Aktion: WLAN ist immer eingeschaltet und bereit für die Konfiguration; WLAN-Stromversorgung: Ein Tastendruck aktiviert oder deaktiviert WLAN. Wenn diese Option aktiviert ist, wechselt sie automatisch in den Konfigurationsmodus. WiFi-Konfiguration: WiFi ist die ganze Zeit aktiviert, mit Drücken der Taste SMARTSHUNT wechselt in den Konfigurationsmodus oder verlässt er ihn.
SoC-Untergrenze (%)	0, 5, 10, 15, 20, 25, 30, 35, 40, 45, 50, 55, 60

Table 14: Shunt parameters

Parameter der Warnung:

Die Parameterwerte in diesem Menü können vom Benutzer frei gewählt werden. Wenn die Messungen außerhalb der begrenzten Werte liegen, wird eine Warnmeldung an das NMEA2000-Netzwerk gesendet und auf dem Bildschirm des Exxx-Geräts angezeigt. Die Liste der verfügbaren Warnungen finden Sie unten:

Alert parameter	Optionen
Kleinspannung	Die Warnung wird angezeigt, wenn die Spannung an der Batterie unter dem ausgewählten Wert liegt
Hochspannung	Die Warnung wird angezeigt, wenn die Spannung an der Batterie über dem ausgewählten Wert liegt
Hoher Ladestrom	Stellen Sie den maximalen Ladestrom ein
Hoher Entladestrom	Legen Sie die Obergrenze des Stroms fest, der von Geräten entnommen werden kann
Niedrige Temperatur	Legen Sie eine untere Temperaturgrenze für den Alarm fest
Hohe Temperatur	Legen Sie einen hohen Temperaturgrenzwert für den Alarm fest
Niedriger Ladezustand	Legen Sie fest, wann die verbleibende Akkukapazität alarmiert werden soll

Table 16: Alarm parameter



Klicken Sie auf "SPEICHERN", um Ihre Einstellungen beizubehalten.

6 Konfiguration über WLAN

SMARTSHUNT verfügt über einen integrierten WLAN-Hotspot, mit dem Sie eine Verbindung mit einem Smartphone oder einem anderen Gerät herstellen können, das das Surfen im Internet ermöglicht. Es kann automatisch mit dem Scannen des QR-Codes unter der Seriennummer verbunden werden. Möglicherweise erhalten Sie eine Meldung vom System, dass möglicherweise keine Internetverbindung verfügbar ist, aber führen Sie einfach Ihren Webbrowser aus und geben Sie config.lxnav.com ein. Wenn Sie die Eingabetaste drücken, wird die Konfigurationsseite angezeigt. Bevor Sie einen Parameter ändern, sollte der Benutzer SMARTSHUNT in den Konfigurationsmodus versetzen. Das bedeutet, dass die violette Status-LED leuchten muss. In jedem anderen Modus werden die Einstellungen nicht gespeichert. Um WIFI zu aktivieren oder in den Konfigurationsmodus zu versetzen, drücken Sie die Konfigurationstaste länger als eine Sekunde.

Die Konfigurationswebseite, die angezeigt wird, besteht aus vier Seiten, die oben auf dem Bildschirm einfach ausgewählt werden können: Home, Batteriekonfiguration, Shunt-Konfiguration und Info-Seite.

6.1.1 Homepage

Auf der Startseite kann der Benutzer alle aktuellen Daten des Systems in Echtzeit anzeigen, die sich aus den ausgewählten Werten auf den Konfigurationsseiten ergeben, z. B. Spannungen, Temperaturen, Stromaufnahmen, Ladezustand usw. sowie aufgezeichnete Spitzenwerte und Historie von Alarmmeldungen.

6.1.2 Batteriekonfiguration

Auf dieser Seite konfiguriert der Benutzer den Batterietyp mit allen notwendigen Daten, die für die korrekte Berechnung des Batteriezustands und des Batteriezustands erforderlich sind.



Bitte greifen Sie zur Konfiguration nicht per QR-Code auf den Browser zu, da der Browser keine Popup-Fenster unterstützt und das Speichern der Konfiguration nicht möglich ist. Die einzige Möglichkeit besteht darin, den Browser zu öffnen und config.lxnav.com zu besuchen. Anschließend können Sie die Konfigurationseinstellungen ändern und speichern.

6.1.3 Shunt Seite "Konfiguration"

Alle notwendigen Daten zu den aktuellen Messungen sollten auf dieser Seite ausgefüllt werden. Es gibt auch eine Tasteneinstellung für die gewünschte WIFI-Aktion.

6.1.4 Info page

Auf dieser Seite finden Sie alle Informationen zum Gerät. Seriennummer, Hardware- und Softwareversion.

6.2 Configuration via LXNAV Exxx device

Die zweite Möglichkeit zur Konfiguration von SMARTSHUNT ist über ein beliebiges Exxx-Gerät. Unter der Annahme, dass das NMEA2000-Netzwerk aufgebaut ist, sind Batterie- und Shunt-Konfigurationsseiten unter verschiedenen Pfaden unter Einstellungsmenü zugänglich. In den folgenden zwei Kapiteln werden Pfade beschrieben, in denen Menüs und deren Fenstervorschau zu finden sind. Informationen zum Bedienen und Kalibrieren von externen Geräten an Exxx-Geräten finden Sie auch im Exxx-Benutzerhandbuch.

6.2.1 Battery setup

Parameter, die sich auf Akkus beziehen, sollten im Menü eingestellt werden, das unter diesem Pfad zugänglich ist:

Einstellungen->Netzwerk->Gerätekalibrierung->Batterie

6.2.2 Shunt setup

Das zweite Konfigurationsmenü finden Sie unter: *Einstellungen->Netzwerk->Verbundene Geräte->Gerätedetails->Geräteeinrichtung*

Die Parameter beziehen sich dort auf Messungen zwischen den Klemmen des Shunts. Es gibt auch Informationen über den Namen und das Passwort des WLAN-Hotspots, unter denen SMARTSHUNT zugänglich ist.

Innerhalb des Shunt-Setups befindet sich das Untermenü **Warnungskonfiguration** mit vom Benutzer wählbaren Parametern, Grenzwerten für Warnmeldungen. Insgesamt stehen sieben Warnungen zur Verfügung.

7 Erste Inbetriebnahme

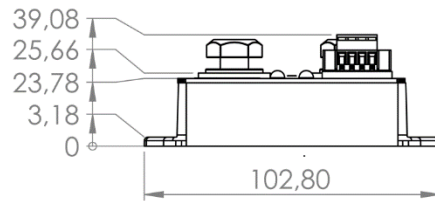
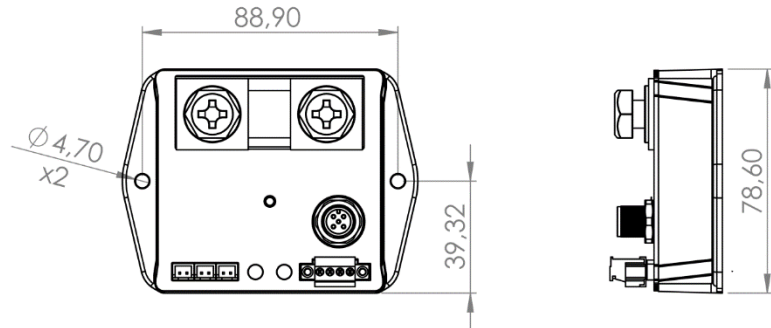
SmartShunt beginnt normal zu arbeiten und zeigt nach dem ersten Zyklus reale Werte an. Der erste Zyklus ist beendet, wenn zum ersten Mal die Bedingungen für die volle Batterie erfüllt sind (die Spannung muss höher sein als die eingestellte Spannung für voll und der Ladestrom muss unter die volle Stromeinstellung fallen)

Um eine wirklich gute Leistung zu erzielen, benötigt der intelligente Shunt mehr Lade-/Entladezyklen, um auch andere Parameter wie die Ladeeffizienz abzustimmen....

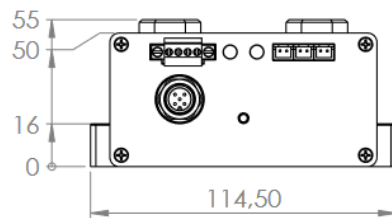
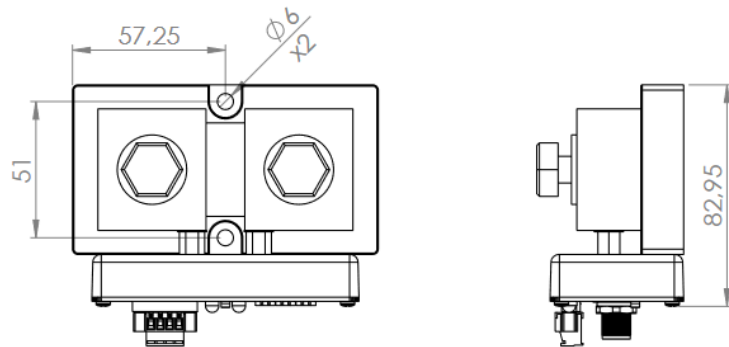
8 Dimensionen

Version :

- 100A
- 300A
- 500A



Version : 1000A



Die Zeichnung ist nicht maßstabsgetreu

9 Verdrahtung

Die folgende Abbildung zeigt eine beispielhafte Verdrahtung mit Kombination von drei Batteriepaketen. Falls der Benutzer weniger Batterien hat, lassen Sie die entsprechenden Klemmen leer.

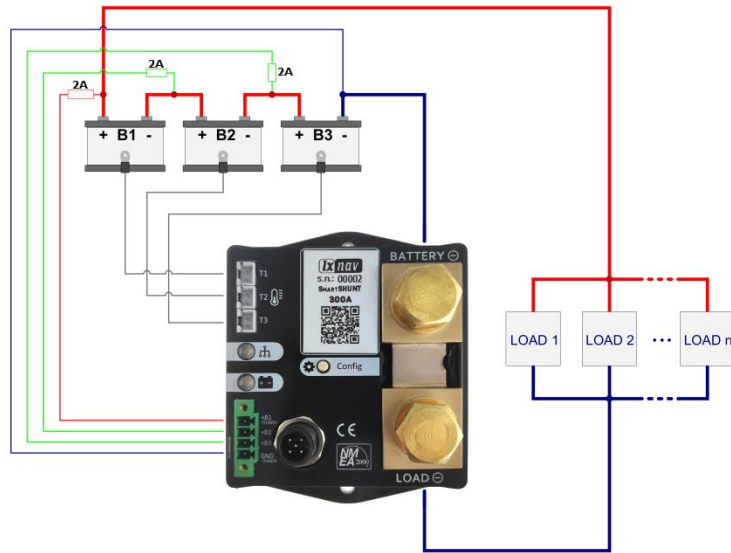


Figure 12: Batteries in series

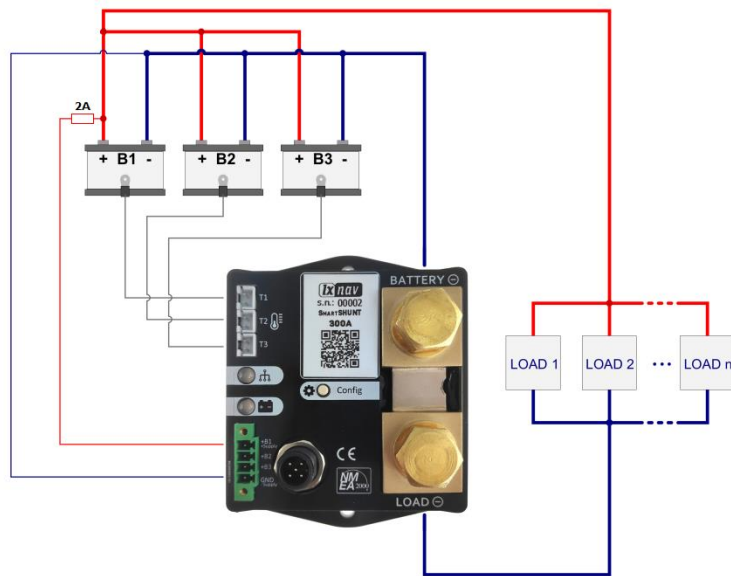


Figure 13: Batteries in parallel

1 Avis importants

Les informations contenues dans ce document peuvent être modifiées sans préavis. LXNAV se réserve le droit de modifier ou d'améliorer ses produits et d'apporter des modifications au contenu de ce matériel sans obligation d'informer toute personne ou organisation de ces changements ou améliorations.

1.1 Garantie limitée

Ce produit d'unité de surveillance numérique de batterie est garanti exempt de défauts de matériaux ou de fabrication pendant deux ans à compter de la date d'achat. Dans ce délai, LXNAV réparera ou remplacera, à sa seule discrétion, les composants défectueux dans des conditions normales d'utilisation. Ces réparations ou remplacements seront effectués sans frais pour le client pour les pièces et la main-d'œuvre, à condition que le client paie les frais d'expédition. Cette garantie ne couvre pas les défaillances dues à un abus, à une mauvaise utilisation, à un accident ou à des modifications ou réparations non autorisées.

LES GARANTIES ET RECOURS CONTENUS DANS LES PRÉSENTES SONT EXCLUSIFS ET REMPLACENT TOUTES LES AUTRES GARANTIES EXPRESSES OU IMPLICITES OU STATUTAIRES, Y COMPRIS TOUTE RESPONSABILITÉ DÉCOULANT DE TOUTE GARANTIE DE QUALITÉ MARCHANDE OU D'ADÉQUATION À UN USAGE PARTICULIER, LÉGALE OU AUTRE. CETTE GARANTIE VOUS DONNE DES DROITS LÉGAUX SPÉCIFIQUES, QUI PEUVENT VARIER D'UN ÉTAT À L'AUTRE.

LXNAV NE POURRA EN AUCUN CAS ÊTRE TENU RESPONSABLE DES DOMMAGES ACCESSOIRES, SPÉCIAUX, INDIRECTS OU CONSÉCUTIFS, RÉSULTANT DE L'UTILISATION, DE LA MAUVAISE UTILISATION OU DE L'IMPOSSIBILITÉ D'UTILISER CE PRODUIT OU DE DÉFAUTS DU PRODUIT.

Certains États n'autorisent pas l'exclusion des dommages accessoires ou consécutifs, de sorte que les limitations ci-dessus peuvent ne pas s'appliquer à vous. LXNAV se réserve le droit exclusif de réparer ou de remplacer l'appareil ou le logiciel, ou d'offrir un remboursement complet du prix d'achat, à sa seule discrétion. UN TEL RECOURS SERA VOTRE SEUL ET UNIQUE RECOURS EN CAS DE VIOLATION DE GARANTIE.

Pour obtenir un service de garantie, contactez votre revendeur LXNAV local ou contactez directement LXNAV.

2 Sécurité

2.1 Symboles pour les indications d'avertissement

Les indications d'avertissement suivantes sont utilisées dans ce manuel dans le contexte de la sécurité.



Les notes avec un triangle rouge indiquent qu'il existe un grand danger potentiel pouvant entraîner des blessures graves ou la mort. Il décrit également les procédures qui sont critiques et peuvent entraîner une perte de données ou toute autre situation critique.



Un triangle jaune est affiché pour les parties du manuel qui doivent être lues très attentivement et qui sont importantes lors de l'utilisation du E500/E700/E900.



Une icône d'ampoule s'affiche lorsqu'un indice utile est fourni au lecteur.

Transmettez les consignes de sécurité aux autres utilisateurs.

Les règles générales et les lois concernant la sécurité et la prévention des accidents doivent toujours être respectées.

3 Informations générales

LXNAV SMARTSHUNT est une unité de surveillance de batterie intelligente compatible avec la norme de réseau NMEA2000. Il mesure avec précision les tensions CC de jusqu'à trois batteries connectées en série et comprend un shunt pour les mesures de courant. Il estime l'état de charge, l'état de santé et le temps restant jusqu'à ce que la batterie soit vide. Jusqu'à trois températures peuvent être mesurées. Il prend en charge plusieurs types de batteries et peut être configuré via n'importe quel appareil LXNAV Exxx ou via une page Web accessible via un point d'accès Wi-Fi interne. Les paramètres qui y sont définis sont disponibles sur le réseau NMEA2000 pour n'importe quel appareil tel que les E350, E500, etc. de LXNAV. LXNAV SMARTSHUNT est disponible en quatre versions avec un shunt de 100, 300, 500 and 1000A. Tous sont de 25 mV. Pour une installation correcte, lisez attentivement les chapitres suivants.

Code QR pour la configuration WiFi

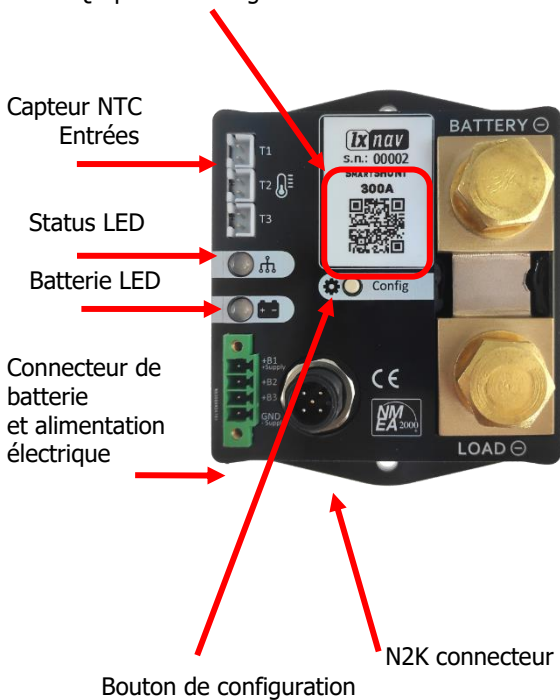


Figure 14: SMARTSHUNT - top view

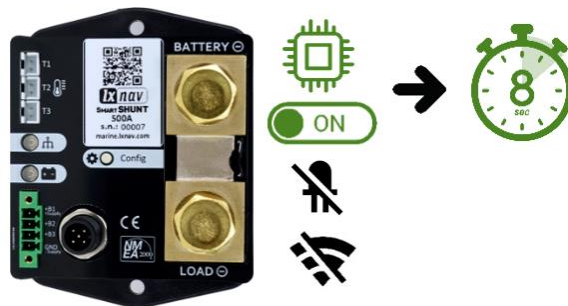
2 modes opérationnels

Le SmartSHUNT fonctionne en 2 modes :

1. LOW POWER MODE

Pour consommer le moins d'énergie possible, le SmartSHUNT passe en "Mode basse consommation" lorsque les conditions suivantes sont remplies :

- ✓ NMEA2000 connexion est hors ligne
- ✓ Aucune charge connectée
- ✓ Le chargeur n'est pas connecté
- ✓ SOC est valide



Le SmartSHUNT se réveille périodiquement (8 s) du mode basse consommation pour vérifier les conditions entre le fonctionnement MODE BASSE CONSOMMATION / MODE D'ALIMENTATION NORMAL. Dans ce mode, le shunt mesure si les conditions ci-dessus (mode basse consommation) sont toujours remplies. Si tel est le cas, l'appareil continue de fonctionner en mode basse consommation, sinon il passe en fonctionnement normal.



L'utilisateur peut forcer le SHUNT à passer en mode de fonctionnement normal en appuyant sur le bouton de l'appareil pendant 8 secondes (pendant toute la période de sommeil).

Il restera en fonctionnement normal pendant 10 minutes. Si, après 10 minutes, les conditions pour passer en mode basse consommation sont remplies, le shunt rentrera en mode basse consommation.

Toutes les 2 heures, le SmartSHUNT passe en fonctionnement normal pendant 2 minutes, même lorsque toutes les conditions ci-dessus sont remplies afin de recalculer l'algorithme de temps en temps.

2. NORMAL POWER MODE

En mode d'alimentation normale, le SmartSHUNT est visible sur le réseau NMEA2000, les LED indiquent l'état du SHUNT (voir section 4.4) et le Wi-Fi pour la configuration et la surveillance de la batterie.



4 Installation

4.1.1 Recommandation de montage

SMARTSHUNT a un fond plat et doit être monté avec deux vis sur une surface solide à côté des batteries pour minimiser la longueur du fil des bornes de la batterie au connecteur sur SMARTSHUNT. Avec cela, l'erreur de mesure est minimisée au minimum.

Ne travaillez pas sur le système électrique lorsqu'il est sous tension.

N'installez pas le SmartSHUNT à proximité de substances inflammables.

Ne placez pas le SmartSHUNT dans des compartiments humides, humides ou à haute température.

Les modifications non autorisées excluent la responsabilité des fabricants pour tout dommage en résultant.

Ne mélangez pas de batteries de différentes marques, tensions ou capacités.



4.2 Spécifications NMEA2000

Paramètre	Description
Compatibilité	NMEA2000 compatible
Débit binaire	250 kbps
Connexion	Un connecteur M12 codé

Table 17: Spécifications NMEA2000

4.3 Connecteurs

Alimentation et entrées batterie B1-B3

LXNAV SMARTSHUNT est alimenté par un connecteur de borne à 4 broches à partir duquel il mesure également des tensions allant jusqu'à trois batteries. La tension maximale autorisée sur chaque borne +Bx est de 65 V. Lors de l'installation, essayez de faire en sorte que les fils soient aussi courts que possible et éloignez-les des sources de courant élevé comme les câbles, les moteurs électriques, etc.



Figure 15: Bornes de batterie

Pin name	Description
+B1 (+Supply)	Alimentation de l'appareil et port de mesure pour la première batterie
+B2	Terminal de mesure pour deuxième batterie
+B3	Terminal de mesure pour troisième batterie
GND (-Supply)	Terminal de masse commun pour les trois batteries, également pour l'alimentation

Table 18: Brochage du connecteur de batterie

4.3.1 Entrées externes du capteur de température

Chaque capteur de température NTC externe de 10 k Ω est fourni avec SMARTSHUNT pour obtenir des informations supplémentaires sur l'état de la batterie. Avec lui, nous pouvons calculer encore plus précisément la capacité de la batterie qui change avec la température. En outre, la durée de vie de la batterie dépend également de la température de l'environnement, où la batterie est stockée. Le capteur est fourni sur un câble de 1 m de long qui s'insère dans deux connecteurs à broches étiquetés de T1 à T3. De l'autre côté du câble se trouve une borne annulaire avec un diamètre de montage total de 3,7 mm. Lors de l'installation du système, gardez à l'esprit que chaque numéro de capteur fait référence au même numéro de batterie. Par exemple, le capteur T1 est pour la batterie B1, T2 pour B2 et T3 pour B3.



Figure 16: NTC sensors entrées T1-T3

4.3.2 Shunt

SMARTSHUNT est un dispositif de détection de courant côté bas et il doit être placé entre la charge et la terre. Câblez la borne étiquetée **BATTERIE** - à la masse de la batterie et **LOAD** - à la masse de la charge du système. En fonction des besoins en énergie, utilisez des sections de câbles appropriées et vissez-les avec des cosses à anneau appropriées, compatibles avec la taille de filetage du boulon du shunt de M10. Serrer la vis shunt avec un couple maximum de 21 Nm.

Cont.Current	Area
1000A	2X 220mm ²
500A	220mm ²
400A	150mm ²
300A	95mm ²
200A	50mm ²
100A	25mm ²

Table 19: Section de câble

4.3.3 Connecteur M12 compatible NMEA2000

Le connecteur codé A M12 à 5 broches sur le dessus de l'unité est compatible avec NMEA2000 et dispose d'un brochage standard. Lors de l'installation, suivez les recommandations du câblage réseau NMEA2000. Utilisez toujours un connecteur en T libre sur le réseau existant. Assurez-vous que les connecteurs sont serrés ensemble correctement pour sceller les contacts métalliques à l'intérieur et empêcher l'oxydation.



Figure 17: M12 Connecteur N2K sur SMARTSHUNT

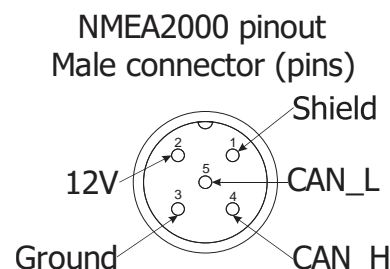


Figure 18: Brochage du connecteur mâle NMEA2000 M12 (vue du côté de l'unité)

4.4 Indicateurs LED

L'unité SMARTSHUNT dispose de deux LED RVB sur le dessus pour une indication rapide de l'état. L'un est dédié à l'état général de l'appareil, tandis que l'autre est destiné à indiquer le niveau de charge de la batterie. Tous les modes possibles sont décrits dans les tableaux suivants :

2. états des voyants:

Couleur	Description
LED bleue clignotante avec 1 Hz	Fonctionnement du réseau CAN
LED bleue clignotante à 10 Hz	Initialisation du réseau WIFI
LED bleue fixe	Wi-Fi initialisé, configuration désactivée
LED violette fixe	Wi-Fi initialisé, configuration activée
LED rouge clignotante	Défaillance matérielle

Table 20: Description des couleurs du voyant d'état

2. Batterie-LED:

Couleur	Description
LED rouge clignotante 1 Hz	SMARTSHUNT is not configured
LED rouge fixe	State of charge <30 %
LED jaune fixe	State of charge <50 %
LED verte fixe	State of charge >50 %

Table 21: Description des couleurs de la LED de la batterie

5 Configuration du SMARTSHUNT

Pour un bon fonctionnement, SMARTSHUNT doit être configuré avant utilisation. La configuration peut être effectuée via une connexion Wi-Fi ou un réseau NMEA2000 avec l'un des appareils LXNAV.

Plusieurs paramètres doivent être sélectionnés parmi les options disponibles ou écrits par l'utilisateur.

La sélection des bons paramètres est cruciale pour des calculs corrects et l'affichage d'avertissements.

Paramètres de la batterie	Options
Type de banque	Batterie principale, batterie principale, batterie secondaire, batterie auxiliaire, batterie de port, batterie tribord, batterie d'étrave, batterie arrière, batterie solaire, batterie de démarrage, banque de batteries 1, batterie 2 et batterie « autre »
Type de chimie	Lead Acid, Li-Ion, Ni-Cad, Zn-O, Ni-Mh
Type de batterie	Flooded, GEL, AGM
Tension nominale	6 V, 12 V, 24 V, 32 V, 36 V, 42 V, 48 V
Capacité nominale	Doit être ajusté par l'utilisateur en fonction de la capacité de la batterie
Temperature	Celsius, Fahrenheit, Kelvin

Table 23: Paramètres de la batterie

Paramètres Shunt	Options
Exposant de Peukert	Dépend de la capacité de la batterie et le taux de décharge. Valeurs valides 1,0 ~ 1,5 La valeur initiale est définie automatiquement en fonction de la chimie de la batterie.
Efficacité de charge	L'efficacité du chargeur. Valeurs valides 0,6 ~ 1,0 La valeur est constamment modifiée pendant la durée de vie de la batterie.
Coefficient de température	Dépend de la capacité de la batterie et la température ambiante. Valeurs valides 0,0 ~ 1,0
Tension à batterie pleine (V)	Tension flottante du chargeur. La valeur initiale est définie automatiquement en fonction de la chimie de la batterie et de la tension nominale.
Courant à batterie pleine (A)	Courant flottant du chargeur. La valeur initiale est définie automatiquement en fonction de la chimie de la batterie et de la capacité nominale.
Tension à la batterie vide (V)	Tension vide de la batterie. La valeur initiale est définie automatiquement en fonction de la chimie de la batterie et de la tension nominale.
Action du bouton de configuration	Aucune action : le WiFi est toujours activé et prêt pour la configuration ; Alimentation WiFi: appuyez sur un bouton pour activer ou désactiver le WiFi. Lorsqu'il est activé, il passe automatiquement en mode configuration ; Configuration WiFi: WiFi est activé tout le temps, en appuyant sur le bouton SMARTSHUNT entre ou quitte, le mode de configuration;
SoC low limit (%)	0, 5, 10, 15, 20, 25, 30, 35, 40, 45, 50, 55, 60

Table 22: Shunt parameters

Paramètres de l'alerte :

Les valeurs des paramètres dans ce menu peuvent être librement sélectionnées par l'utilisateur. Si les mesures sont en dehors des valeurs limitées, un message d'avertissement est envoyé au réseau NMEA2000 et affiché sur l'écran de l'appareil Exxx. La liste des alertes disponible se trouve ci-dessous:

Paramètres d'alertes	Options
Basse tension	L'avertissement s'affiche lorsque la tension aux bornes de la batterie est inférieure à la valeur sélectionnée
Haute tension	L'avertissement s'affiche lorsque la tension aux bornes de la batterie est supérieure à la valeur sélectionnée
Courant de charge élevé	Régler le courant de charge maximal
Courant de décharge élevé	Définir la limite supérieure du courant pouvant être tiré des appareils
Basse température	Définir une limite de température inférieure pour l'alarme
Haute température	Définir une limite de température élevée pour l'alarme
Faible état de charge	Spécifier quand alerter la capacité restante de la batterie

Table 24: Paramètre d'alarme



Cliquez sur « ENREGISTRER » pour conserver vos paramètres.

6 Configuration via WIFI

SMARTSHUNT a intégré un point d'accès WIFI auquel vous pouvez vous connecter avec un téléphone intelligent ou tout autre appareil permettant la navigation sur le Web. Il peut être automatiquement connecté avec le code QR scanné ci-dessous le numéro de série. Vous pouvez recevoir un message du système, qu'il n'y a peut-être pas de connexion Internet disponible, mais exécutez simplement votre navigateur Web et tapez config.lxnav.com. En appuyant sur Entrée, la page de configuration apparaîtra. Avant de modifier un paramètre, l'utilisateur doit mettre SMARTSHUNT en mode configuration. Cela signifie que la LED d'état violette doit être allumée. Dans tout autre mode, les paramètres ne seront pas enregistrés. Pour activer le WIFI ou le mettre en mode configuration, appuyez sur le bouton Config pendant plus d'une seconde.

La page Web de configuration qui apparaîtra se compose de quatre pages facilement sélectionnables en haut de l'écran : Accueil, Configuration de la batterie, Configuration du shunt et Page d'informations.

6.1.1 Page d'accueil

Sur la page d'accueil, l'utilisateur peut afficher toutes les données actuelles du système en temps réel qui sont le résultat des valeurs sélectionnées sur les pages de configuration, par exemple les tensions, les températures, le courant consommé, l'état de charge, etc. ainsi que les valeurs de pointe enregistrées et l'historique des messages d'alarme.

6.1.2 Configuration de la batterie

6.1.3 Sur cette page, l'utilisateur configure le type de batterie avec toutes les données nécessaires qui sont obligatoires pour des calculs corrects de l'état et de la santé de la batterie.



Veuillez ne pas accéder au navigateur via le code QR pour la configuration, car le navigateur ne prend pas en charge les fenêtres contextuelles et l'enregistrement de la configuration ne sera pas possible. Le seul moyen est d'ouvrir le navigateur et de visiter config.lxnav.com. Ensuite, vous pouvez modifier et enregistrer les paramètres de configuration.

6.1.4 Page de configuration du shunt

Toutes les données nécessaires relatives aux mesures actuelles doivent être remplies dans cette page. Il y a aussi un réglage de bouton pour l'action WIFI souhaitée.

6.1.5 Page d'information

Sur cette page se trouvent toutes les informations sur l'appareil. Son numéro de série, sa version matérielle et logicielle.

6.1.6 Configuration via le périphérique LXNAV Exxx

La deuxième option pour la configuration de SMARTSHUNT est via n'importe quel appareil Exxx. En supposant que le réseau NMEA2000 est établi, les pages de configuration de la batterie et du shunt sont accessibles sous différents chemins sous les menus de réglage. Dans les deux chapitres suivants sont des chemins écrits où les menus peuvent être trouvés et leurs aperçus de fenêtre. Pour l'utilisation et l'étalonnage des périphériques externes sur les unités Exxx, reportez-vous également au manuel d'utilisation Exxx.

6.1.7 Configuration de la batterie

Les paramètres liés aux batteries doivent être définis dans le menu accessible sous ce chemin :

Paramètres->Réseau->Calibrage de l'appareil->Batterie

6.1.8 Configuration du shunt

Le deuxième menu de configuration se trouve sous :

Paramètres->Réseau->Appareils connectés->Détails de l'appareil->Configuration de l'appareil

Les paramètres y sont liés aux mesures entre les terminaux du shunt. Il y a aussi des informations sur le nom et le mot de passe du hotspot WiFi sous lequel SMARTSHUNT est accessible.

À l'intérieur de la configuration du shunt se trouve **la configuration des alertes du sous-menu** avec des limites de paramètres sélectionnables par l'utilisateur pour les messages d'avertissement. Il y a sept avertissements disponibles au total.

7 Première opération

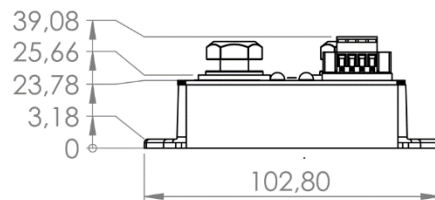
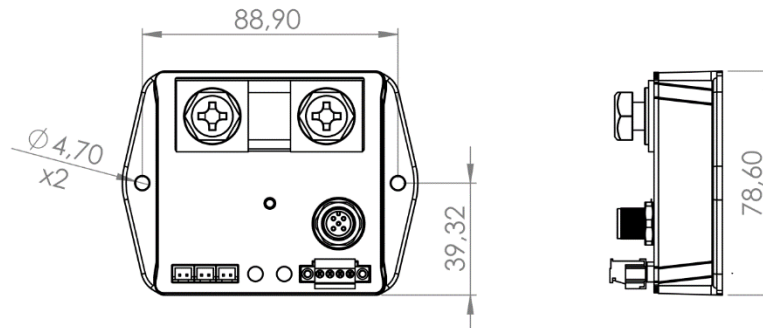
SmartShunt commencera à fonctionner normalement et indiquera les valeurs réelles après le cycle initial. Le cycle initial est terminé, lorsque les conditions de remplissage de la batterie sont remplies pour la première fois (la tension doit être supérieure au réglage de tension pour le réglage complet et le courant de charge doit tomber en dessous du réglage du courant complet)

Pour obtenir de très bonnes performances, le shunt intelligent aura besoin de plus de cycles de charge / décharge, pour régler également d'autres paramètres tels que l'efficacité de la charge...

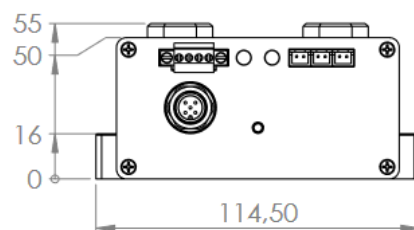
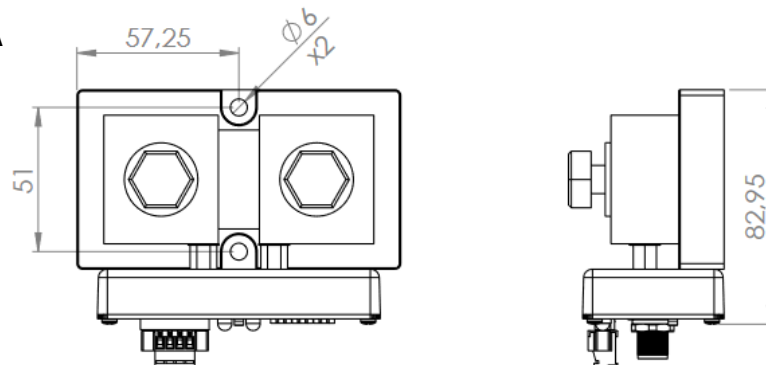
8 Dimensions

Version :

- 100A
- 300A
- 500A



Version : 1000A



Le dessin n'est pas à l'échelle

1 Avvisi importanti

Le informazioni contenute in questo documento sono soggette a modifiche senza preavviso. LXNAV si riserva il diritto di modificare o migliorare i propri prodotti e di apportare modifiche al contenuto di questo materiale senza l'obbligo di informare qualsiasi persona o organizzazione di tali modifiche o miglioramenti.

1.1 Garanzia limitata

Questo prodotto di monitoraggio digitale della batteria è garantito per essere privo di difetti nei materiali o nella lavorazione per due anni dalla data di acquisto. Entro questo periodo, LXNAV, a sua esclusiva discrezione, riparerà o sostituirà tutti i componenti che si guastano durante il normale utilizzo. Tali riparazioni o sostituzioni saranno effettuate gratuitamente per il cliente per parti e manodopera, a condizione che il cliente paghi le spese di spedizione. Questa garanzia non copre i guasti dovuti ad abuso, uso improprio, incidente o alterazioni o riparazioni non autorizzate.

LE GARANZIE E I RIMEDI CONTENUTI NEL PRESENTE DOCUMENTO SONO ESCLUSIVI E SOSTITUISCONO TUTTE LE ALTRE GARANZIE ESPLICITE, IMPLICITE O DI LEGGE, INCLUSA QUALSIASI RESPONSABILITÀ DERIVANTE DA QUALSIASI GARANZIA DI COMMERCIALIZZABILITÀ O IDONEITÀ PER UNO SCOPO PARTICOLARE, LEGALE O ALTRO. LA PRESENTE GARANZIA CONFERISCE ALL'UTENTE DIRITTI LEGALI SPECIFICI, CHE POSSONO VARIARE DA STATO A STATO.

IN NESSUN CASO LXNAV SARÀ RESPONSABILE PER EVENTUALI DANNI INCIDENTALI, SPECIALI, INDIRETTI O CONSEGUENZIALI, DERIVANTI DALL'USO, DALL'USO IMPROPRIO O DALL'IMPOSSIBILITÀ DI UTILIZZARE QUESTO PRODOTTO O DA DIFETTI DEL PRODOTTO.

Alcuni stati non consentono l'esclusione di danni incidentali o consequenziali, pertanto le limitazioni di cui sopra potrebbero non essere applicabili all'utente. LXNAV si riserva il diritto esclusivo di riparare o sostituire l'unità o il software, o di offrire un rimborso completo del prezzo di acquisto, a sua esclusiva discrezione. TALE RIMEDIO SARÀ L'UNICO ED ESCLUSIVO RIMEDIO PER QUALSIASI VIOLAZIONE DELLA GARANZIA.

Per ottenere assistenza in garanzia, contattare il rivenditore LXNAV locale o contattare direttamente LXNAV.

2 Sicurezza

2.1 Simboli per le indicazioni di avvertimento

Le seguenti indicazioni di avvertimento sono utilizzate in questo manuale nel contesto della sicurezza.



Le banconote con un triangolo rosso indicano che esiste un grande pericolo potenziale che può portare a gravi lesioni o morte. Descrive inoltre le procedure che sono critiche e possono comportare la perdita di dati o qualsiasi altra situazione critica.



Viene visualizzato un triangolo giallo per le parti del manuale che devono essere lette con molta attenzione e sono importanti quando si utilizza l'E500/E700/E900.



L'icona di una lampadina viene visualizzata quando viene fornito un suggerimento utile al lettore.

Trasmettere le istruzioni di sicurezza ad altri utenti.

Le norme generali e le leggi in materia di sicurezza e prevenzione degli infortuni devono sempre essere osservate.

3 Generalità

LXNAV SMARTSHUNT è un'unità di monitoraggio della batteria intelligente compatibile con lo standard di rete NMEA2000. Misura con precisione le tensioni CC di un massimo di tre batterie collegate in serie e include uno shunt per le misurazioni della corrente. Stima lo stato di carica, lo stato di salute e il tempo rimanente fino allo scaricamento della batteria. È possibile misurare fino a tre temperature. Supporta più tipi di batterie e può essere configurato tramite qualsiasi dispositivo LXNAV Exxx o tramite pagina Web accessibile tramite hotspot Wi-Fi interno. I parametri impostati sono disponibili sulla rete NMEA2000 per qualsiasi dispositivo come E350, E500 di LXNAV ecc. LXNAV SMARTSHUNT è disponibile in quattro versioni con shunt da 100, 300 e 500 A. Tutti loro sono 25 mV. Per una corretta installazione leggere attentamente i capitoli successivi.

Codice QR per la configurazione WiFi

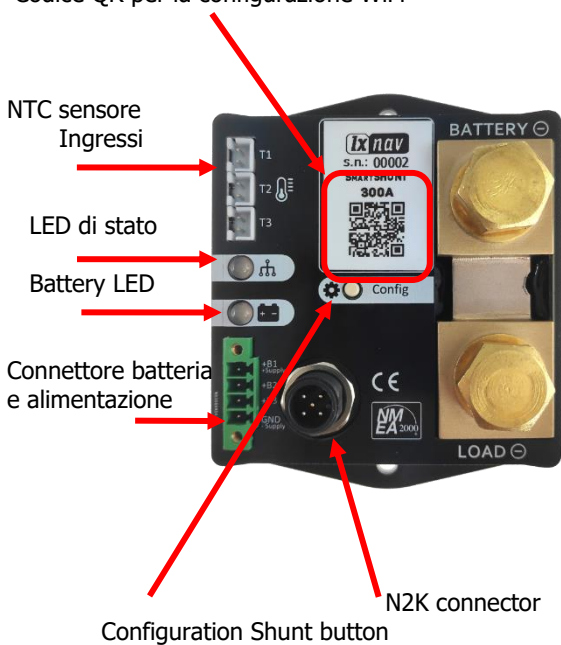


Figure 21: SMARTSHUNT - top view

Due modalità operative

The SmartSHUNT operates in 2 modes:

1. LOW POWER MODE

Per consumare meno energia possibile, SmartSHUNT entra in "Modalità basso consumo" quando vengono soddisfatte le seguenti condizioni:

- ✓ NMEA2000 connessione è offline
- ✓ Nessun carico collegato
- ✓ Il caricabatterie non è collegato
- ✓ SOC è valido



SmartSHUNT si riattiva periodicamente (8s) dalla modalità basso consumo per verificare le condizioni tra il funzionamento LOW POWER MODE / NORMAL POWER MODE.

In questa modalità, lo shunt sta misurando se le condizioni di cui sopra (modalità a basso consumo) sono ancora soddisfatte. In tal caso, il dispositivo continua a funzionare in modalità Basso consumo altrimenti passa al normale funzionamento.



L'utente può forzare lo SHUNT ad entrare in modalità di funzionamento normale premendo il pulsante sull'unità per 8 secondi (per l'intero periodo di sospensione).

Rimarrà in normale funzionamento per 10 minuti. Se dopo 10 minuti vengono soddisfatte le condizioni per entrare in modalità basso consumo, lo shunt rientrerà in modalità a basso consumo.

Ogni 2 ore, SmartSHUNT passa al normale funzionamento per 2 minuti anche quando tutte le condizioni di cui sopra sono soddisfatte per ricalcolare l'algoritmo di tanto in tanto.

2. NORMAL POWER MODE

In modalità di alimentazione normale, SmartSHUNT è visibile sulla rete NMEA2000, i LED indicano lo stato SHUNT (vedere punto 4.4) e il Wi-Fi per la configurazione e il monitoraggio della batteria.



4 Installazione

4.1 Raccomandazione di montaggio

SMARTSHUNT ha il fondo piatto e deve essere montato con due viti sulla superficie solida accanto ai pacchi batteria per ridurre al minimo la lunghezza del filo dai terminali della batteria al connettore su SMARTSHUNT. In questo modo, l'errore di misurazione è ridotto al minimo.

Non lavorare sull'impianto elettrico mentre è eccitato.

Non installare SmartSHUNT vicino a sostanze infiammabili.



Non collocare SmartSHUNT in compartimenti umidi, umidi o ad alta temperatura.

Le modifiche non autorizzate escludono la responsabilità dei produttori per eventuali danni risultanti.

Non mescolare batterie di varie marche, tensioni o capacità.

4.2 Specifiche NMEA2000

Parametro	Descrizione
Compatibilità	NMEA2000 compatibile
Bit rate	250 kbps
Connection	Un connettore M12 codificato

Table 25: Specifiche NMEA2000

4.3 Connettori

Alimentazione e ingressi batteria B1-B3

LXNAV SMARTSHUNT è alimentato da un connettore terminale a 4 pin dal quale misura anche tensioni fino a tre batterie. La tensione massima consentita su ciascun terminale +Bx è di 65 V. Durante l'installazione, cerca di rendere i fili più corti possibile e tienili lontani da fonti di corrente elevata come cavi, motori elettrici, ecc.



Figure 22: Terminali batteria

Nome pin	Descrizione
+B1 (+Supply)	Alimentazione per dispositivo e porta di misurazione per prima batteria
+B2	Terminale di misura per seconda batteria
+B3	Terminale di misura per terza batteria
GND (-Supply)	Terminale di terra comune per tutte e tre le batterie, anche per alimentazione Fornitura

Table 26: Piedinatura del connettore della batteria

4.3.1 External Ingressi del sensore di temperatura

Ogni sensore di temperatura NTC 10 kΩ esterno viene fornito con SMARTSHUNT per ulteriori informazioni sullo stato della batteria. Con esso possiamo calcolare una capacità ancora più precisa della batteria che cambia con la temperatura. Oltre a ciò, la durata della batteria dipende anche dalla temperatura dell'ambiente, dove è conservata la batteria. Il sensore viene fornito su un cavo lungo 1 m che si inserisce in due connettori a pin etichettati da T1 a T3. Sull'altro lato del cavo c'è il terminale ad anello con diametro intero di montaggio di 3,7 mm. Quando si installa il sistema, tenere presente che ogni numero di sensore si riferisce allo stesso numero di batteria. Ad esempio, il sensore T1 è per il pacco batteria B1, T2 per B2 e T3 per B3.



Figure 23: NTC sensors inputs T1-T3

4.3.2 Shunt

SMARTSHUNT è un dispositivo di rilevamento della corrente sul lato basso e deve essere posizionato tra il carico e la terra. Collegare il terminale etichettato **BATTERY** - a terra della batteria e **LOAD** - a terra dal carico del sistema. A seconda delle esigenze di alimentazione, utilizzare sezioni trasversali di cavi adeguate e avvitare con capicorda ad anello appropriati, compatibili con la dimensione della filettatura del bullone dello shunt di M10. Serrare il bullone di derivazione con una coppia massima di 21Nm.

Cont.Current	Area
1000A	2x 220mm ²
500A	220mm ²
400A	150mm ²
300A	95mm ²
200A	50mm ²
100A	25mm ²

Table 27: Area della sezione trasversale del cavo

4.3.3 NMEA2000 connettore M12 compatibile

Il connettore M12 a 5 pins codificato A sulla parte superiore dell'unità è compatibile con NMEA2000 e ha una piedinatura standard. Durante l'installazione, seguire le raccomandazioni per il cablaggio di rete NMEA2000. Utilizzare sempre un connettore a T libero sulla rete esistente. Assicurarsi che i connettori siano serrati correttamente per sigillare i contatti metallici all'interno e prevenire l'ossidazione.



Figure 24: M12 N2K connector on SMARTSHUNT

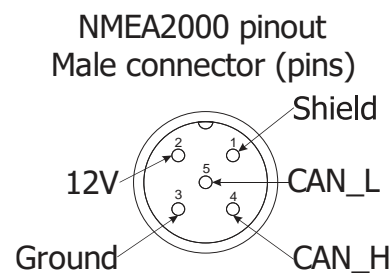


Figure 25: NMEA2000 M12 Male connector pinout (view from unit side)

4.4 Indicazioni LED

L'unità SMARTSHUNT è dotata di due LED RGB sul lato superiore per una rapida indicazione dello stato. Uno per lo stato generale dell'unità mentre l'altro è per l'indicazione dello stato di carica della batteria. Tutte le modalità possibili sono descritte nelle tabelle seguenti:

- Status LED:

Colore	Descrizione
LED blu lampeggiante con 1 Hz	Funzionante CAN network
LED blu lampeggiante con 10 Hz	Inizializzazione di WIFI network
LED blu fisso	WIFI inizializzato, configurazione disabilitata
LED viola fisso	WIFI inizializzato, configurazione abilitata
LED rosso lampeggiante	Errore hardware

Table 28: Descrizione del colore del LED di stato

- Battery LED:

Colore	Descrizione
LED rosso lampeggiante 1 Hz	SMARTSHUNT non è configurato
LED rosso fisso	Stato di carica <30 %
LED giallo fisso	Stato di carica <50 %
LED verde fisso	Stato di carica >50 %

Table 29: Descrizione del colore del LED della batteria

5 Configurando SMARTSHUNT

Per il corretto funzionamento SMARTSHUNT deve essere configurato prima dell'uso. La configurazione può essere eseguita tramite connessione WiFi o rete NMEA2000 con uno dei dispositivi LXNAV. Ci sono diversi parametri che devono essere selezionati tra le opzioni disponibili o scritti dall'utente.

La selezione dei parametri corretti è fondamentale per i calcoli corretti e la visualizzazione degli avvisi.

Parametro batteria	Opzioni
Tipo di banca	Batteria principale, batteria primaria, batteria secondaria, batteria ausiliaria, batteria di porto, batteria di dritta, batteria di prua, batteria di poppa, batteria solare, batteria di avviamento, banco batterie 1, banco batterie 2 e batteria "altro"
Tipo di chimica	Piombo acido, Li-Ion, Ni-Cad, Zn-O, Ni-MH
Tipo di batteria	Allagato, GEL, AGM
Tensione nominale	6 V, 12 V, 24 V, 32 V, 36 V, 42 V, 48 V
Capacità nominale	Deve essere impostato dall'utente in base alla capacità della batteria
Temperatura	Celsius, Fahrenheit, Kelvin

Table 31: Parametri della batteria

Parametro Shunt	Opzioni
Peukert exponent	Dipendenza tra la capacità della batteria e la velocità di scarica. Valori validi 1.0 ~ 1.5 Il valore iniziale viene impostato automaticamente in base alla chimica della batteria.
Efficienza di ricarica	L'efficienza del caricabatterie. Valori validi 0,6 ~ 1,0 Il valore viene costantemente modificato durante la durata della batteria.
Coefficiente di temperatura	Dipendenza tra la capacità della batteria e la temperatura ambiente. Valori validi 0.0 ~ 1.0
Voltage at battery full (V)	Tensione di galleggiamento del caricabatterie. Il valore iniziale viene impostato automaticamente in base alla chimica della batteria e alla tensione nominale.
Current at battery full (A)	Corrente di galleggiamento del caricabatterie. Il valore iniziale viene impostato automaticamente in base alla chimica della batteria e alla capacità nominale.
Voltage at battery empty (V)	Tensione di svuotamento della batteria. Il valore iniziale viene impostato automaticamente in base alla chimica della batteria e alla tensione nominale.
Config button action	Nessuna azione: il WiFi è sempre attivo e pronto per la configurazione; Alimentazione WiFi: la pressione del pulsante abilita o disabilita il WiFi. Quando abilitato, entra automaticamente in modalità di configurazione; WiFi config: WiFi è abilitato tutto il tempo, con la pressione del pulsante SMARTSHUNT entra, o esci, modalità di configurazione;
SoC low limit (%)	0, 5, 10, 15, 20, 25, 30, 35, 40, 45, 50, 55, 60

Table 30: Parametri di shunt

Parametri di avviso:

I valori dei parametri in questo menu possono essere selezionati liberamente dall'utente. Quando le misurazioni sono al di fuori dei valori limitati, il messaggio di avviso verrà inviato alla rete NMEA2000 e visualizzato sullo schermo del dispositivo Exxx. L'elenco degli avvisi disponibili è scritto qui sotto:

Parametro di avviso	Opzioni
Bassa tensione	L'avviso verrà visualizzato quando la tensione sulla batteria sarà sotto il valore selezionato
Alta tensione	L'avviso verrà visualizzato quando la tensione sulla batteria sarà superiore al valore selezionato
Elevata corrente di carica	Impostare la corrente di carica massima
Elevata corrente di scarica	Impostare il limite superiore di corrente che può essere assorbito dai dispositivi
Bassa temperatura	Impostare il limite di temperatura bassa per l'avviso
Alta temperatura	Imposta il limite di temperatura elevato per l'avviso
Basso stato di carica	Impostare quando avvisare la capacità residua della batteria

Table 32: Alarm parameter



Premi "SALVA" per mantenere le impostazioni.

6 Configurazione tramite WIFI

SMARTSHUNT ha integrato hot spot WIFI a cui è possibile connettersi con smartphone o qualsiasi altro dispositivo che consente la navigazione web. Può essere collegato automaticamente con la scansione del codice QR sotto il numero di serie. È possibile che venga visualizzato un messaggio dal sistema, che potrebbe non esserci una connessione Internet disponibile, ma è sufficiente eseguire semplicemente il browser Web e digitare config.lxnav.com. Premendo invio, verrà visualizzata la pagina di configurazione. Prima di modificare qualsiasi parametro, l'utente deve mettere SMARTSHUNT in modalità di configurazione. Ciò significa che il LED di stato viola deve essere acceso. In qualsiasi altra modalità, le impostazioni non verranno salvate. Per abilitare il WIFI o metterlo in modalità di configurazione, premere il pulsante Config per più di un secondo.

La pagina web di configurazione che verrà visualizzata è composta da quattro pagine facilmente selezionabili nella parte superiore dello schermo: Home, Configurazione batteria, Configurazione Shunt e Pagina informazioni.

6.1.1 Homepage

Sulla home page l'utente può visualizzare tutti i dati correnti del sistema in tempo reale che sono il risultato dei valori selezionati nelle pagine di configurazione, ad esempio tensioni, temperature, corrente assorbita, stato di carica ecc. così come i valori di picco registrati e la cronologia dei messaggi di allarme.

6.1.2 Configurazione della batteria

In questa pagina l'utente configura il tipo di batteria con tutti i dati necessari che sono obbligatori per il corretto calcolo dello stato e dello stato della batteria.



Si prega di non accedere al browser tramite codice QR per la configurazione, perché il browser non supporta le finestre popup e il salvataggio della configurazione non sarà possibile.

L'unico modo è aprire il browser e visitare config.lxnav.com. Quindi è possibile modificare e salvare le impostazioni di configurazione.

6.1.3 Pagina di configurazione dello shunt

Tutti i dati necessari relativi alle misurazioni attuali devono essere compilati in questa pagina. C'è anche l'impostazione del pulsante per l'azione WIFI desiderata.

6.1.4 Info page

In questa pagina sono presenti tutte le informazioni sul dispositivo. Il suo numero di serie, la versione hardware e software.

6.2 Configurazione via LXNAV Exxx dispositivo

La seconda opzione per la configurazione di SMARTSHUNT è tramite qualsiasi dispositivo Exxx. Supponendo che la rete NMEA2000 sia stabilita le pagine di configurazione della batteria e dello shunt sono accessibili in percorsi diversi nei menu di impostazione. Nei due capitoli seguenti sono scritti percorsi in cui è possibile trovare i menu e le loro anteprime delle finestre. Per il funzionamento e la calibrazione di dispositivi esterni su unità Exxx fare riferimento anche al manuale utente Exxx.

6.2.1 Configurazione della batteria

I parametri relativi ai pacchi batteria devono essere impostati nel menu accessibile in questo percorso:
Impostazioni->Rete->Calibrazione dispositivo->Batteria

6.2.2 Shunt apparecchio

Il secondo menu di configurazione si trova sotto:
Impostazioni->Rete->Dispositivi connessi->Dettagli del dispositivo->Configurazione del dispositivo

I parametri si riferiscono alle misurazioni tra i terminali dello shunt. Ci sono anche informazioni sul nome e la password dell'hotspot WiFi sotto il quale è accessibile SMARTSHUNT.

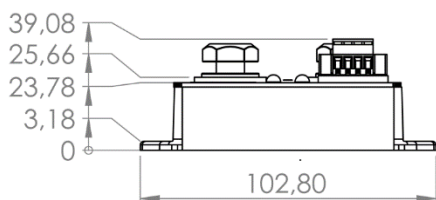
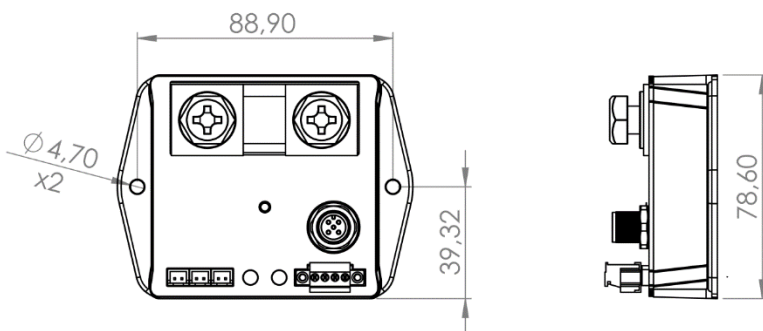
7 Prima operazione

SmartShunt inizierà a funzionare normalmente e indicherà i valori reali dopo il ciclo iniziale. Il ciclo iniziale è terminato, quando vengono soddisfatte le condizioni per la prima volta per la batteria piena (la tensione deve essere superiore all'impostazione di tensione per la piena e la corrente di carica deve scendere al di sotto dell'impostazione della corrente piena). Per ottenere prestazioni davvero buone, lo shunt intelligente avrà bisogno di più cicli di carica / scarica, per regolare anche altri parametri come l'efficienza di carica...

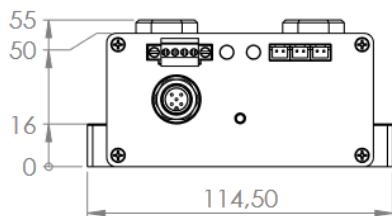
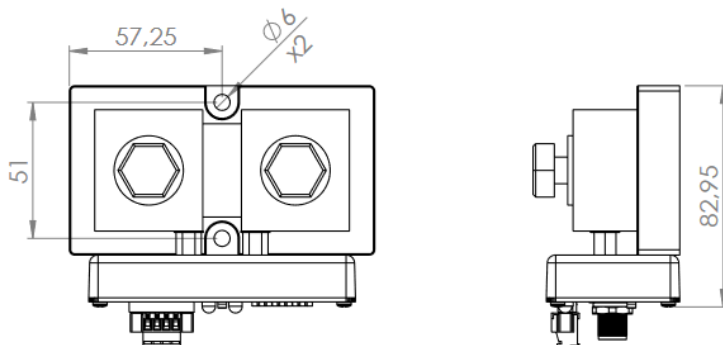
8 Dimensioni

Version :

- 100A
- 300A
- 500A



Version : 1000A



Il disegno non è in scala

9 Cablaggio

La figura sotto mostra un cablaggio di esempio con combinazione di tre pacchi batteria. Nel caso in cui l'utente abbia meno batterie, lasciare vuoti i terminali dedicati.

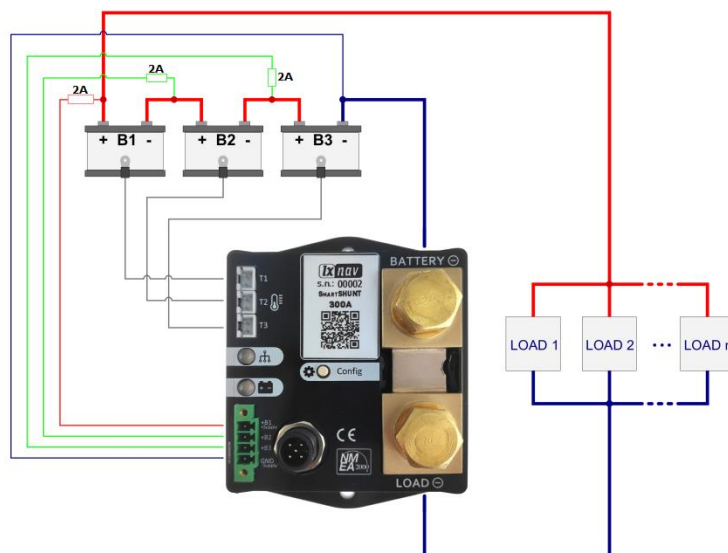
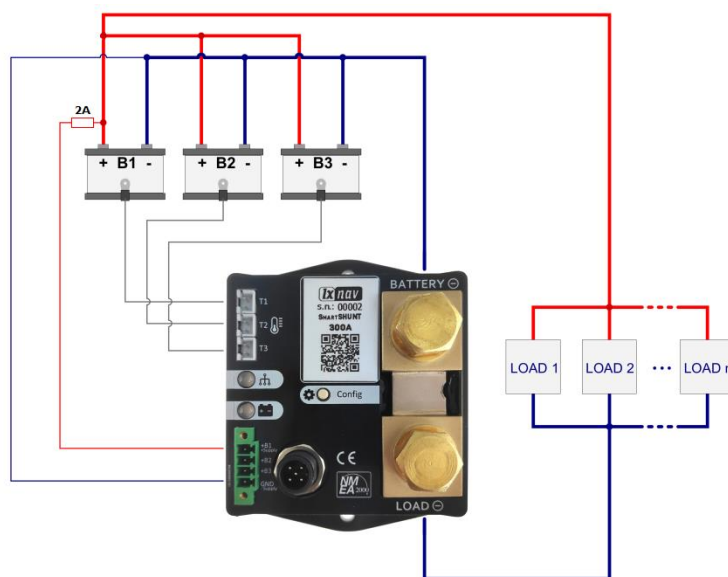


Figure 26: Batteries in series



1 Avisos importantes

La información contenida en este documento está sujeta a cambios sin previo aviso. LXNAV se reserva el derecho de cambiar o mejorar sus productos y de realizar cambios en el contenido de este material sin obligación de notificar a ninguna persona u organización de dichos cambios o mejoras.

1.1 Garantía limitada

Se garantiza que este producto de unidad de monitoreo de batería digital está libre de defectos en materiales o mano de obra durante dos años a partir de la fecha de compra. Dentro de este período, LXNAV, a su entera discreción, reparará o reemplazará cualquier componente que falle en el uso normal. Dichas reparaciones o reemplazos se realizarán sin cargo alguno para el cliente por piezas y mano de obra, siempre que el cliente pague los gastos de envío. Esta garantía no cubre fallas debidas a abuso, mal uso, accidente o alteraciones o reparaciones no autorizadas.

LAS GARANTÍAS Y RECURSOS CONTENIDOS EN ESTE DOCUMENTO SON EXCLUSIVOS Y SUSTITUYEN A TODAS LAS DEMÁS GARANTÍAS EXPRESAS, IMPLÍCITAS O LEGALES, INCLUIDA CUALQUIER RESPONSABILIDAD QUE SURJA DE CUALQUIER GARANTÍA DE COMERCIABILIDAD O IDONEIDAD PARA UN PROPÓSITO PARTICULAR, ESTATUTARIO O DE OTRO TIPO. ESTA GARANTÍA LE OTORGA DERECHOS LEGALES ESPECÍFICOS, QUE PUEDEN VARIAR DE UN ESTADO A OTRO.

EN NINGÚN CASO LXNAV SERÁ RESPONSABLE DE NINGÚN DAÑO INCIDENTAL, ESPECIAL, INDIRECTO O CONSECUENTE, YA SEA COMO RESULTADO DEL USO, MAL USO O INCAPACIDAD DE USAR ESTE PRODUCTO O DE DEFECTOS EN EL PRODUCTO.

Algunos estados no permiten la exclusión de daños incidentales o consecuentes, por lo que las limitaciones anteriores pueden no aplicarse en su caso. LXNAV se reserva el derecho exclusivo de reparar o reemplazar la unidad o el software, u ofrecer un reembolso completo del precio de compra, a su entera discreción. DICHO RECURSO SERÁ SU ÚNICO Y EXCLUSIVO RECURSO POR CUALQUIER INCUMPLIMIENTO DE LA GARANTÍA.

Para obtener el servicio de garantía, póngase en contacto con su distribuidor local de LXNAV o póngase en contacto directamente con LXNAV.

2 Seguridad

2.1 Símbolos para indicaciones de advertencia

Las siguientes indicaciones de advertencia se utilizan en este manual en el contexto de la seguridad.



Las notas con un triángulo rojo indican que existe un gran peligro potencial que puede provocar lesiones graves o la muerte. También describe los procedimientos que son críticos y pueden resultar en la pérdida de datos o cualquier otra situación crítica.



Se muestra un triángulo amarillo para las partes del manual que deben leerse con mucho cuidado y son importantes cuando se utiliza el E500/E700/E900.



Se muestra un icono de bombilla cuando se proporciona una pista útil al lector.

Transmita las instrucciones de seguridad a otros usuarios.

Siempre deben observarse las normas y leyes generales relativas a la seguridad y la prevención de accidentes.

3 Información general

LXNAV SMARTSHUNT es una unidad inteligente de monitoreo de batería compatible con el estándar de red NMEA2000. Mide con precisión los voltajes de CC de hasta tres baterías conectadas en serie e incluye derivación para mediciones de corriente. Estima estado de carga, estado de salud y tiempo restante hasta que se agote la batería. Se pueden medir hasta tres temperaturas. Admite varios tipos de baterías y se puede configurar a través de cualquier dispositivo LXNAV Exxx o a través de una página web accesible a través de un punto de acceso Wi-Fi interno. Los parámetros establecidos allí están disponibles en la red NMEA2000 para cualquier dispositivo, como E350, E500, etc. de LXNAV. LXNAV SMARTSHUNT está disponible en cuatro versiones con derivación de 100, 300 500 y 1000A. Todos ellos son de 25 mV. Para una instalación adecuada, lea atentamente los siguientes capítulos.

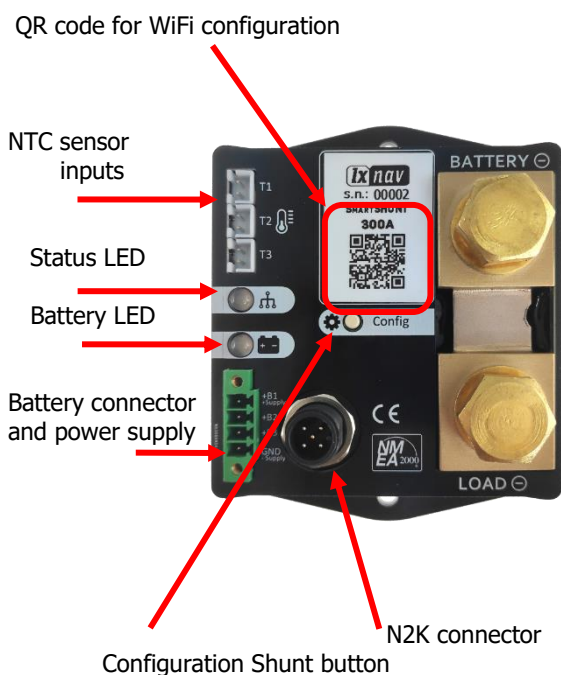


Figure 27: SMARTSHUNT - top view

2 modos de operación

El SmartSHUNT funciona en 2 modos:

1. LOW POWER MODE

Para consumir la menor cantidad de energía posible, el SmartSHUNT entra en "modo de bajo consumo" cuando se cumplen las siguientes condiciones :

- ✓ NMEA2000 conexión está fuera de línea
- ✓ Sin carga conectada
- ✓ El cargador no está conectado
- ✓ SOC es válido



El SmartSHUNT se activa periódicamente (8s) desde el modo de bajo consumo para comprobar las condiciones entre el funcionamiento del MODO DE BAJO CONSUMO / MODO DE CONSUMO NORMAL. En este modo, la derivación mide si aún se cumplen las condiciones anteriores (modo de bajo consumo). Si es así, el dispositivo continúa funcionando en modo de bajo consumo, de lo contrario cambia a la operación normal.



El usuario puede forzar el SHUNT a entrar en modo de funcionamiento normal presionando el botón de la unidad durante 8 segundos (durante todo el período de suspensión). Permanecerá en funcionamiento normal durante 10 minutos. Si después de 10 minutos se cumplen las condiciones para entrar en modo de bajo consumo, la derivación volverá a entrar en modo de bajo consumo.

Cada 2 horas, el SmartSHUNT pasa a funcionar normalmente durante 2 minutos, incluso cuando se cumplen todas las condiciones anteriores, para volver a calcular el algoritmo de vez en cuando.

2. NORMAL POWER MODE

En el modo de energía normal, el SmartSHUNT es visible en la red NMEA2000, el LED indica el estado SHUNT (consulte la sección 4.4) y el Wi-Fi para la configuración y supervisión de la batería.



4 Instalación

4.1 Recomendación de montaje

SMARTSHUNT tiene fondo plano y debe montarse con dos tornillos en la superficie sólida junto a los paquetes de baterías para minimizar la longitud del cable desde los terminales de la batería hasta el conector en SMARTSHUNT. Con esto, el error de medición se minimiza al mínimo.

No trabaje en el sistema eléctrico mientras esté energizado.

No instale el SmartSHUNT cerca de sustancias inflamables.



No coloque el SmartSHUNT en compartimentos húmedos, húmedos o de alta temperatura.

Las modificaciones no autorizadas excluyen la responsabilidad del fabricante por cualquier daño resultante.

No mezcle baterías de varias marcas, voltajes o capacidades.

4.2 NMEA2000 specifications

Parámetro	Descripción
Compatibilidad	NMEA2000 compatible
Bit rate	250 kbps
Connection	A coded M12 connector

Table 33: NMEA2000 specifications

4.3 Connectors

Power supply & battery inputs B1-B3

LXNAV SMARTSHUNT se alimenta d'un conector terminal de 4 pines desde el que también mide voltajes de hasta tres baterías. El voltaje máximo permitido en cada terminal +Bx es de 65 V. Al instalar, trate de hacer que los cables de sentido sean lo más cortos posible y manténgalos alejados de fuentes de alta corriente como cables, motores eléctricos, etc.



Figure 28: Battery terminals

Nombre del pin	Descripción
+B1 (+Supply)	Fuente de alimentación para el dispositivo y puerto de medición para la primera batería
+B2	Terminal de medición para segunda batería
+B3	Terminal de medición para tercera batería
GND (-Supply)	Terminal de tierra común para las tres baterías, también para alimentación Abastecimiento

Table 34: Battery connector pinout

4.3.1 Entradas de sensor de temperatura externo

Cada sensor de temperatura NTC externo de 10 kΩ se suministra con SMARTSHUNT para obtener información adicional sobre el estado de la batería. Con él podemos calcular aún más precisa la capacidad de la batería que cambia con la temperatura. Además de eso, la vida útil de la batería también depende de la temperatura del entorno, donde se almacena la batería. El sensor se suministra en un cable de 1 m de largo que cabe en conectores de dos pines etiquetados de T1 a T3. En el otro lado del cable hay un terminal de orejeta de anillo con un diámetro total de montaje de 3,7 mm. Al instalar el sistema, tenga en cuenta que cada número de sensor se refiere al mismo número de batería. Por ejemplo, el sensor T1 es para el paquete de baterías B1, T2 para B2 y T3 para B3.



Figure 29: NTC sensors inputs T1-T3

4.3.2 Shunt

SMARTSHUNT es un dispositivo de detección de corriente de lado bajo y debe colocarse entre la carga y el suelo. Cablee el terminal etiquetado **BATTERY** - a tierra de la batería y **LOAD** - a tierra desde la carga del sistema. Dependiendo de las necesidades de energía, use secciones transversales de cables adecuadas y atorníllelos con terminales de anillo apropiados, que sean compatibles con el tamaño de rosca del perno de derivación de M10. Apriete el tornillo de derivación con un par máximo de 21 Nm.

Cont.Current	Area
1000A	2x 220mm ²
500A	220mm ²
400A	150mm ²
300A	95mm ²
200A	50mm ²
100A	25mm ²

Table 35: Table 36: Cable cross sectional area

4.3.3 NMEA2000 compatible M12 connector

El conector M12 con código A de 5 pines en la parte superior de la unidad es compatible con NMEA2000 y tiene pines estándar. Al instalar, siga las recomendaciones del cableado de red NMEA2000. Utilice siempre el conector en T libre en la red existente. Asegúrese de que los conectores estén apretados correctamente para sellar los contactos metálicos en el interior y evitar la oxidación.



Figure 30: M12 N2K connector on SMARTSHUNT

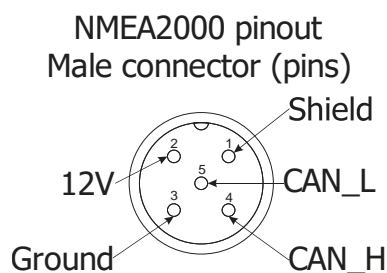


Figure 31: NMEA2000 M12 Pinout del conector macho (vista desde el lado de la unidad)

4.4 Indicaciones LED

La unidad SMARTSHUNT cuenta con dos LED RGB en la parte superior para una indicación rápida del estado. Uno para el estado general de la unidad, mientras que el otro es para la indicación del estado de carga de la batería. Todos los modos posibles se describen en las tablas siguientes :

- LED de estado:

Color	Descripción
LED azul parpadeante con 1 Hz	Red CAN de trabajo
LED azul parpadeante con 10 Hz	Inicialización de la red WIFI
LED azul fijo	WIFI inicializado, configuración deshabilitada
LED violeta sólido	WIFI inicializado, configuración habilitada
LED rojo parpadeante	Error de hardware

Table 37: Status LED color description

- Battery LED:

Color	Descripción
LED rojo parpadeante 1 Hz	SMARTSHUNT no está configurado
LED rojo fijo	Estado de la carga <30 %
LED amarillo fijo	Estado de la carga <50 %
LED verde fijo	Estado de la carga >50 %

Table 38: Battery LED color description

5 Configuración de SMARTSHUNT

Para su correcto funcionamiento SMARTSHUNT debe configurarse antes de su uso. La configuración se puede realizar a través de una conexión WiFi o una red NMEA2000 con uno de los dispositivos LXNAV. Hay varios parámetros que deben ser seleccionados de las opciones disponibles o escritos por el usuario.

Seleccionar los parámetros correctos es crucial para los cálculos correctos y mostrar advertencias.

Parámetro de batería	Opciones
Tipo de banco	Batería principal, batería primaria, batería secundaria, batería auxiliar, batería de babor, batería de estribor, batería de proa, batería de popa, batería solar, batería de arranque, banco de baterías 1, banco de baterías 2 y "otra" batería
Tipo de química	Plomo ácido, Li-ion, Ni-Cad, Zn-O, Ni-MH
Tipo de batería	Inundado, GEL, AGM
Tensión nominal	6 V, 12 V, 24 V, 32 V, 36 V, 42 V, 48 V
Capacidad nominal	Debe ser configurado por el usuario de acuerdo con la capacidad de la batería
Temperatura	Celsius, Fahrenheit, Kelvin

Table 40: Battery parameters

Parámetro Shunt	Opciones
Exponente de Peukert	Dependencia entre la capacidad de la batería y la velocidad de descarga. Valores válidos 1.0 ~ 1.5 El valor inicial se establece automáticamente en función de la química de la batería.
Eficiencia de carga	Eficiencia del cargador. Valores válidos 0.6 ~ 1.0 El valor se modifica constantemente durante la vida útil de la batería.
Coefficiente de temperatura	Dependencia entre la capacidad de la batería y la temperatura ambiente. Valores válidos 0.0 ~ 1.0
Voltaje con la batería llena (V)	Voltaje de flotación del cargador. El valor inicial se establece automáticamente en función de la química de la batería y el voltaje nominal.
Corriente con la batería llena (A)	Corriente de flotación del cargador. El valor inicial se establece automáticamente en función de la química de la batería y la capacidad nominal.
Voltaje en la batería vacía (V)	Voltaje vacío de la batería. El valor inicial se establece automáticamente en función de la química de la batería y el voltaje nominal.
Acción del botón Configurar	Sin acción: WiFi siempre está encendido y listo para la configuración; Potencia WiFi: la pulsación del botón habilita o desactiva WiFi. Cuando está habilitado, se pone automáticamente en modo de configuración; Configuración WiFi: WiFi está habilitado todo el tiempo, con el botón de pulsación SMARTSHUNT entra, o sale, modo de configuración;
Límite bajo de SoC (%)	0, 5, 10, 15, 20, 25, 30, 35, 40, 45, 50, 55, 60

Table 39: Shunt parameters

Alert parameters:

Los valores de los parámetros d'este menú pueden ser seleccionados libremente por el usuario. Cuando las mediciones están fuera de los valores limitados, el mensaje de advertencia se enviará a la red NMEA2000 y se mostrará en la pantalla del dispositivo Exxx. La lista de alertas disponibles se escribe a continuación:

Parámetro de alerta	Opciones
Baja tensión	La alerta aparecerá cuando el voltaje de la batería esté por debajo del valor seleccionado
Alta tensión	La alerta aparecerá cuando el voltaje de la batería esté por encima del valor seleccionado
Alta corriente de carga	Establecer la corriente de carga máxima
Alta corriente de descarga	Establecer el límite superior de corriente que puede ser dibujado por los dispositivos
Baja temperatura	Establecer límite de temperatura baja para la alerta
Alta temperatura	Establecer límite de temperatura alta para la alerta
Bajo estado de carga	Establecer cuándo alertar sobre la capacidad restante de la batería

Table 41: Alarm parameter



Presione "GUARDAR" para mantener su configuración.

6 Configuración través de WIFI

SMARTSHUNT tiene integrado un punto de acceso WIFI al que puede conectarse con un teléfono inteligente o cualquier otro dispositivo que permita la navegación web. Se puede conectar automáticamente con el código QR escaneado debajo del número de serie. Puede recibir un mensaje del sistema, que puede que no haya conexión a Internet disponible, sino simplemente ejecute su navegador web y escriba config.lxnav.com. Al presionar enter, aparecerá la página de configuración. Antes de cambiar cualquier parámetro, el usuario debe poner SMARTSHUNT en modo de configuración. Eso significa que el LED de estado violeta debe estar encendido. En cualquier otro modo, la configuración no se guardará. Para habilitar WIFI o ponerlo en modo de configuración, presione el botón Config durante más de un segundo.

La página web de configuración que aparecerá consta de cuatro páginas fácilmente seleccionables en la parte superior de la pantalla: Inicio, Configuración de la batería, Configuración de derivación y Página de información.

6.1.1 Homepage

En la página de inicio, el usuario puede ver todos los datos actuales del sistema en tiempo real que son el resultado de los valores seleccionados en las páginas de configuración, por ejemplo, voltajes, temperaturas, corriente consumida, estado de carga, etc. así como los valores máximos registrados y el historial de mensajes de alarma.

6.1.2 Battery configuration

En esta página, el usuario configura el tipo de batería con todos los datos necesarios que son obligatorios para los cálculos correctos del estado y la salud de la batería.



No acceda al navegador a través del código QR para la configuración, ya que el navegador no admite ventanas emergentes y no será posible guardar la configuración.

La única forma es abrir el navegador y visitar config.lxnav.com. A continuación, puede cambiar y guardar los ajustes de configuración.

a 6.1.3 Página de configuración de derivación

Todos los datos necesarios relacionados con las mediciones de corriente deben completarse en esta página. También hay una configuración de botón para la acción WIFI deseada.

6.1.4 Página de información

En esta página hay toda la información sobre el dispositivo. Su número de serie, versión de hardware y software.

6.2 Configuration via LXNAV Exxx device

La segunda opción para la configuración de SMARTSHUNT es a través de cualquier dispositivo Exxx. Suponiendo que la red NMEA2000 está establecida, las páginas de configuración de batería y derivación son accesibles en diferentes rutas en los menús de configuración. En los siguientes dos capítulos se describen rutas donde se pueden encontrar menús y vistas previas de sus ventanas. Para operar y calibrar dispositivos externos en unidades Exxx, consulte también el manual del usuario de Exxx.

6.2.1 Configuración de la batería

Los parámetros relacionados con los paquetes de baterías deben configurarse en el menú al que se puede acceder en esta ruta: *Configuración->Red->Calibración del dispositivo->Batería*

6.2.2 Shunt setup

El segundo menú de configuración se encuentra en: *Configuración->Red->Dispositivos conectados->Detalles del dispositivo: >Configuración del dispositivo*

Los parámetros allí se relacionan con las mediciones entre los terminales de derivación. También hay información sobre el nombre y la contraseña del punto de acceso WiFi bajo el cual es accesible SMARTSHUNT.

Dentro de la configuración de derivación se encuentra el submenú **Configuración de alertas** con límites de parámetros seleccionables por el usuario para mensajes de advertencia. Hay siete advertencias disponibles en total.

7 Primera operación

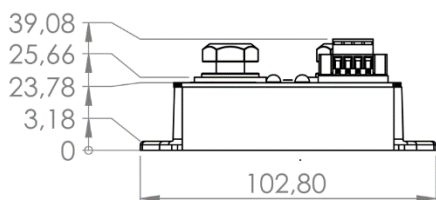
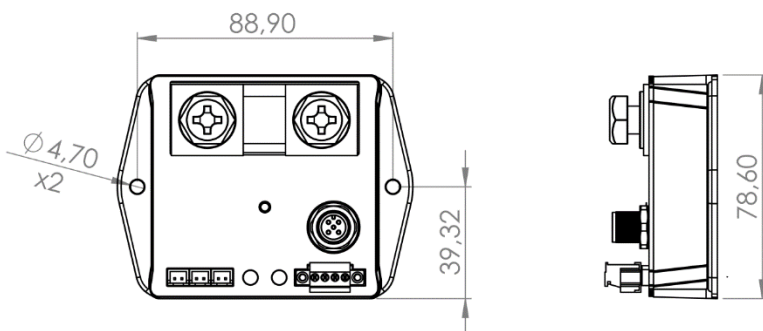
SmartShunt comenzará a funcionar normalmente e indicará valores reales después del ciclo inicial. El ciclo inicial ha finalizado, cuando se cumplen las condiciones por primera vez para la batería llena (el voltaje debe ser más alto que el ajuste de voltaje para el pleno y la corriente de carga debe caer por debajo del ajuste de corriente completa)

Para obtener un rendimiento realmente bueno, la derivación inteligente necesitará más ciclos de carga / descarga, para ajustar también otros parámetros como la eficiencia de carga....

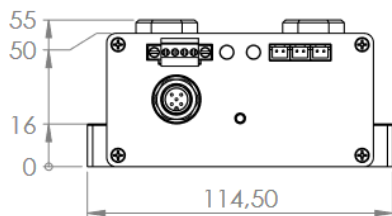
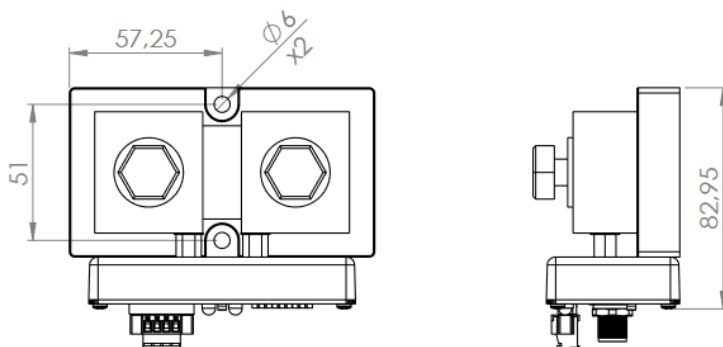
8 Dimensión

Version :

- 100A
- 300A
- 500A



Version : 1000A



Dibujar no es a escala

9 Alambrado

La siguiente figura muestra un ejemplo de cableado con combinación de tres paquetes de baterías. En caso de qu'el usuario tenga menos baterías, deje vacíos los terminales dedicados.

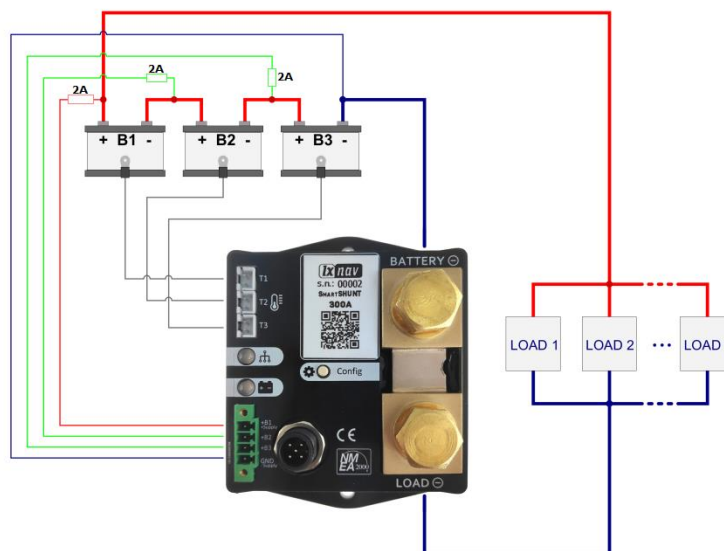


Figure 32: Batteries in series

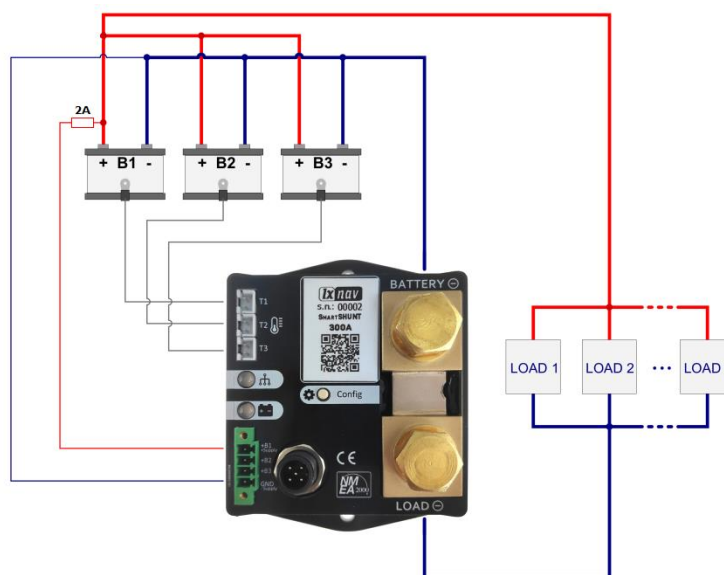


Figure 33: Batteries in parallel

1 Belangrijke mededelingen

De informatie in dit document kan zonder voorafgaande kennisgeving worden gewijzigd. LXNAV behoudt zich het recht voor om hun producten te wijzigen of te verbeteren en om wijzigingen aan te brengen in de inhoud van dit materiaal zonder verplichting om een persoon of organisatie op de hoogte te stellen van dergelijke wijzigingen of verbeteringen.

1.1 Beperkte garantie

Dit product van de digitale batterijbewakingseenheid is gegarandeerd vrij van defecten in materialen of vakmanschap gedurende twee jaar vanaf de datum van aankoop. Binnen deze periode zal LXNAV, naar eigen goeddunken, alle componenten repareren of vervangen die bij normaal gebruik defect raken. Dergelijke reparaties of vervanging worden kosteloos uitgevoerd voor de klant voor onderdelen en arbeid, op voorwaarde dat de klant betaalt voor de verzendkosten. Deze garantie dekt geen storingen als gevolg van misbruik, verkeerd gebruik, ongeval of ongeoorloofde wijzigingen of reparaties.

DE GARANTIES EN RECHTSMIDDELEN DIE HIERIN ZIJN OPGENOMEN, ZIJN EXCLUSIEF EN KOMEN IN DE PLAATS VAN ALLE ANDERE GARANTIES EXPLICIET OF IMPLICIET OF WETTELIJK, INCLUSIEF ENIGE AANSPRAKELIJKHEID DIE VOORTVLOEIT UIT ENIGE GARANTIE VAN VERKOOPBAARHEID OF GESCHIKTHEID VOOR EEN BEPAALD DOEL, WETTELIJK OF ANDERSZINS. DEZE GARANTIE GEEFT U SPECIFIEKE WETTELIJKE RECHTEN, DIE VAN STAAT TOT STAAT KUNNEN VERSCHILLEN.

IN GEEN GEVAL IS LXNAV AANSPRAKELIJK VOOR INCIDENTELE, SPECIALE, INDIRECTE OF GEVOLGSCHADE, ONGEACHT OF DEZE VOORTVLOEIT UIT HET GEBRUIK, MISBRUIK OF ONVERMOGEN OM DIT PRODUCT TE GEBRUIKEN OF UIT DEFECTEN IN HET PRODUCT.

Sommige staten staan de uitsluiting van incidentele of gevolgschade niet toe, dus de bovenstaande beperkingen zijn mogelijk niet op u van toepassing. LXNAV behoudt zich het exclusieve recht voor om het apparaat of de software te repareren of te vervangen, of om een volledige terugbetaling van de aankoopprijs aan te bieden, naar eigen goeddunken. EEN DERGELIJK RECHTSMIDDEL IS UW ENIGE EN

2 Veiligheid

EXCLUSIEVE RECHTSMIDDEL VOOR ELKE SCHENDING VAN DE GARANTIE.

Neem voor garantieservice contact op met uw lokale LXNAV-dealer of neem rechtstreeks contact op met LXNAV.

2.1 Symbolen voor waarschuwingsindicaties

In deze handleiding worden in het kader van de veiligheid de volgende waarschuwingsindicaties gebruikt.



Notities met een rode driehoek geven aan dat er een groot potentieel gevaar bestaat dat kan leiden tot ernstig letsel of de dood. Het beschrijft ook procedures die kritiek zijn en kunnen leiden tot verlies van gegevens of een andere kritieke situatie.



Een gele driehoek wordt weergegeven voor delen van de handleiding die zeer zorgvuldig moeten worden gelezen en belangrijk zijn bij het gebruik van de E500 / E700/E900.



Een lamp pictogram wordt weergegeven wanneer een nuttige hint aan de lezer wordt gegeven.

Geef de veiligheidsinstructies door aan andere gebruikers.

Algemene regels en wetten met betrekking tot veiligheid en ongevallenpreventie moeten altijd in acht worden genomen.

3 Algemene informatie

LXNAV SMARTSHUNT is een slimme batterijbewakingseenheid die compatibel is met de NMEA2000-netwerkstandaard. Het meet nauwkeurig gelijkspanningen van maximaal drie in serie geschakelde batterijen en bevat een shunt voor stroommetingen. Het schat de laadtoestand, de gezondheidstoestand en de resterende tijd tot de batterij leeg is. Er kunnen maximaal drie temperaturen worden gemeten. Het ondersteunt meerdere soorten batterijen en kan worden geconfigureerd via elk LXNAV Exxx-apparaat of via een webpagina die toegankelijk is via een interne Wi-Fi-hotspot. Parameters die daar zijn ingesteld, zijn beschikbaar op het NMEA2000-netwerk voor elk apparaat, zoals LXNAV's E350, E500 enz. LXNAV SMARTSHUNT is beschikbaar in vier versies met een shunt van 100, 300, 500 en 1000A. Ze zijn allemaal 25 mV. Lees de volgende hoofdstukken aandachtig voor een juiste installatie.

QR code for WiFi configuration

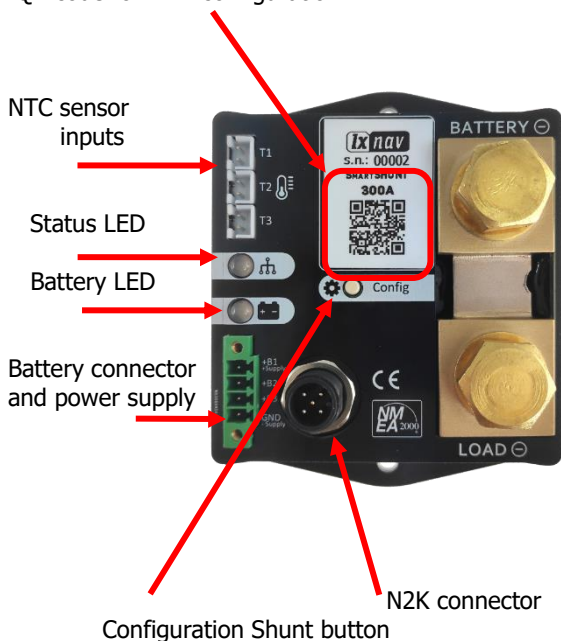


Figure 34: SMARTSHUNT - top view

Twee bedrijfsmodi

De SmartSHUNT werkt in 2 modi:

1. LOW POWER MODE

Om zo min mogelijk energie te verbruiken, gaat de SmartSHUNT in de "Low power mode" wanneer aan de volgende voorwaarden wordt voldaan:

- ✓ NMEA2000 verbinding offline is
- ✓ Geen belasting aangesloten
- ✓ Oplader is niet aangesloten
- ✓ SOC is geldig



De SmartSHUNT ontwaakt periodiek (8s) uit de spaarstand om de omstandigheden tussen de LOW POWER MODE / NORMAL POWER MODE werking te controleren.

In deze modus meet de shunt of nog steeds aan de bovenstaande voorwaarden (low power mode) wordt voldaan. Als dat het geval is, blijft het apparaat in de spaarstand werken, anders schakelt het over naar de normale werking.



De gebruiker kan de SHUNT dwingen om in de normale bedrijfsmodus te gaan door de knop op het apparaat gedurende 8 seconden (gedurende de hele slaaperiode) ingedrukt te houden. Het blijft 10 minuten in normaal bedrijf. Als na 10 minuten aan de voorwaarden voor het inschakelen van de spaarstand wordt voldaan, wordt de shunt opnieuw ingeschakeld in de spaarstand.

Elke 2 uur gaat de SmartSHUNT gedurende 2 minuten naar normaal gebruik, zelfs als aan alle bovenstaande voorwaarden is voldaan om het algoritme af en toe opnieuw te berekenen.

2. NORMAL POWER MODE

In de normale energiemodus is de SmartSHUNT zichtbaar op het NMEA2000 netwerk, geeft de LEDs de SHUNT-status aan (zie paragraaf 4.4) en de Wi-Fi voor configuratie en bewaking van de batterij.



4 Installatie

4.1 Montage aanbeveling

SMARTSHUNT heeft een platte bodem en moet met twee schroeven op een stevig oppervlak naast de batterijpakketten worden gemonteerd om de draadlengte van de batterijpolen naar de connector op SMARTSHUNT te minimaliseren. Hiermee wordt de meetfout tot een minimum beperkt.

Werk niet aan het elektrische systeem terwijl het onder stroom staat.

Installeer de SmartSHUNT niet in de buurt van ontvlambare stoffen.

Plaats de SmartSHUNT niet in een nat, vochtig of op hoge temperatuur gelegen compartiment.



Ongeautoriseerde wijzigingen sluiten de aansprakelijkheid van fabrikanten uit voor eventuele resulterende schade.

Meng geen batterijen van verschillende merken, spanningen of capaciteiten.

4.2 NMEA2000 Specificaties

Parameter	Beschrijving
Compatibiliteit	NMEA2000 compatibel
Bit rate	250 kbps
Verbinding	A coded M12 connector

Table 42: NMEA2000 specifications

4.3 Verbindingslijnen

Voeding & batterij-ingangen B1-B3

LXNAV SMARTSHUNT wordt gevoed door een 4-pins terminalconnector van waaruit het ook spanningen van maximaal drie batterijen meet. De maximaal toelaatbare spanning op elke +Bx-aansluiting is 65 V. Probeer bij het installeren zo kort mogelijke draden te maken en houd ze uit de buurt van bronnen met een hoge stroomsterkte, zoals kabels, elektromotoren, enz.



Figure 35: Battery terminals

Pin name	Description
+B1 (+Supply)	Power supply for device and measuring port for first battery
+B2	Measuring terminal for second battery
+B3	Measuring terminal for third battery
GND (-Supply)	Common ground terminal for all three batteries, also for power Supply

Table 43: Battery connector pinout

4.3.1 Externe temperatuursensoringangen

Elke externe NTC 10 kΩ temperatuursensor wordt geleverd met SMARTSHUNT voor aanvullende informatie over de batterijstatus. Hiermee kunnen we een nog preciezere capaciteit van de batterij berekenen die verandert met de temperatuur. Daarnaast is de levensduur van de batterij ook afhankelijk van de temperatuur van de omgeving, waar de batterij is opgeslagen. Sensor wordt geleverd op een 1 m lange kabel die past in tweepolige connectoren met het label T1 tot T3. Aan de andere kant van de kabel bevindt zich ringnokklem met montage met een volledige diameter van 3,7 mm. Houd er bij het installeren van het systeem rekening mee dat elk sensornummer verwijst naar hetzelfde batterijnummer. Sensor T1 is bijvoorbeeld voor accupakket B1, T2 voor B2 en T3 voor B3.



Figure 36: NTC sensors inputs T1-T3

4.3.2 Shunt

SMARTSHUNT is een stroomdetectieapparaat aan de lage kant en moet tussen de belasting en de grond worden geplaatst. Bedraad de terminal met het label **BATTERY** - naar batterijaarde en **LOAD** - naar aarde vanaf de systeembelasting. Gebruik, afhankelijk van de stroombehoefte, geschikte kabeldoorsneden en schroef ze vast met de juiste ringkabelschoenen, die compatibel zijn met de schroefdraadmaat van de shuntbout van M10. Draai de shuntbout vast met een maximaal aanhaalmoment van 21 Nm.

Cont.Current	Area
1000A	2x 220mm ²
500A	220mm ²
400A	150mm ²
300A	95mm ²
200A	50mm ²
100A	25mm ²

Table 44: Table 45: Cable cross sectional area

4.3.3 NMEA2000 compatibele M12-connector

M12 5-pins A-gecodeerde connector bovenop het apparaat is compatibel met NMEA2000 en heeft standaard pinout. Volg bij de installatie de aanbevelingen van de NMEA2000-netwerkbedrading. Gebruik altijd de gratis Tee-connector op het bestaande netwerk. Zorg ervoor dat de connectoren goed aan elkaar zijn vastgedraaid om metalen contacten binnenin af te dichten en oxidatie te voorkomen.



Figure 37: M12 N2K connector on SMARTSHUNT

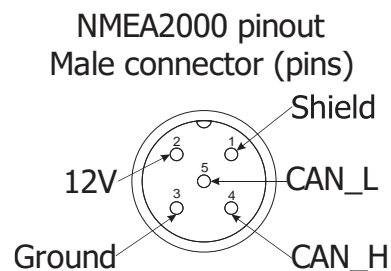


Figure 38: NMEA2000 M12 Male connector pinout (view from unit side)

4.4 LED-indicaties

SMARTSHUNT-eenheid is voorzien van twee RGB-LED's aan de bovenzijde voor een snelle statusindicatie. Een voor de algemene status van het apparaat, terwijl de andere is voor de indicatie van de laadstatus van de batterij. Alle mogelijke modi worden beschreven in onderstaande tabellen:

- Status LED:

Kleur	Beschrijving
Knipperende blauwe LED met 1 Hz	Werkend CAN-netwerk
Knipperende blauwe LED met 10 Hz	Initialisatie van WIFI-netwerk
Effen blauwe LED	WIFI geïnitieerd, configuratie uitgeschakeld
Solide violette LED	WIFI geïnitieerd, configuratie ingeschakeld
Knipperende rode LED	Hardware storing

Table 46: Status LED color description

- Battery LED:

Kleur	Beschrijving
Knipperende rode LED 1 Hz	SMARTSHUNT is niet geconfigureerd
Solide rode LED	Toestand van de heffing <30 %
Effen gele LED	Laadtoestand <50 %
Solide groene LED	Toestand van de heffing >50 %

Table 47: Battery LED color description

5 SMARTSHUNT configureren

Voor een goede werking moet SMARTSHUNT vóór gebruik worden geconfigureerd. Configuratie kan worden uitgevoerd via WiFi-verbinding of NMEA2000-netwerk met een van de LXNAV-apparaten.

Er zijn verschillende parameters die moeten worden geselecteerd uit de beschikbare opties of geschreven door de gebruiker.

Het selecteren van de juiste parameters is cruciaal voor correcte berekeningen en het weergeven van waarschuwingen.

Batterijparameter	Opties
Type bank	Hoofdaccu, primaire accu, secundaire accu, hulpaccu, bakboordaccu, stuurboordaccu, boegaccu, hekbatterij, zonnecell, startaccu, accubank 1, accubank 2 en "andere" accu
Type scheikunde	Loodzuur, Li-Ion, Ni-Cad, Zn-O, Ni-Mh
Type batterij	Overstroomd, GEL, AVA
Nominale spanning	6 V, 12 V, 24 V, 32 V, 36 V, 42 V, 48 V
Nominaal vermogen	Moet door de gebruiker worden ingesteld op basis van de batterijcapaciteit
Temperatuur	Celsius, Fahrenheit, Kelvin

Table 49: Battery parameters

Shunt parameter	Opties
Peukert exponent	Afhankelijkheid tussen batterijcapaciteit en ontladingsnelheid. Geldige waarden 1,0 ~ 1,5 De beginwaarde wordt automatisch ingesteld op basis van de chemie van de batterij.
Laadefficiëntie	De efficiëntie van de oplader. Geldige waarden 0,6 ~ 1,0 De waarde wordt voortdurend gewijzigd tijdens de levensduur van de batterij.
Temperatuurcoëfficiënt	Afhankelijkheid tussen batterijcapaciteit en omgevingstemperatuur. Geldige waarden 0,0 ~ 1,0
Spanning bij accu vol (V)	Vlotterspanning van de lader. De beginwaarde wordt automatisch ingesteld op basis van de chemie van de batterij en de nominale spanning.
Stroom bij accu vol (A)	Vlotterstroom van de lader. De initiële waarde wordt automatisch ingesteld op basis van de chemie van de batterij en de nominale capaciteit.
Spanning bij lege batterij (V)	Batterij lege spanning. De beginwaarde wordt automatisch ingesteld op basis van de chemie van de batterij en de nominale spanning.
Actie configuratieknop	Geen actie: WiFi is altijd ingeschakeld en klaar voor configuratie; WiFi-vermogen: druk op de knop schakelt WiFi in of uit. Wanneer ingeschakeld, wordt het automatisch in de configuratiemodus; WiFi-configuratie: WiFi is de hele tijd ingeschakeld, met druk op de knop SMARTSHUNT gaat de configuratiemodus in of uit;
SoC lage limiet (%)	0, 5, 10, 15, 20, 25, 30, 35, 40, 45, 50, 55, 60

Table 48: Shunt parameters

Waarschuwingparameters:

Parameterwaarden in dit menu kunnen vrij worden geselecteerd door de gebruiker. Wanneer metingen buiten de beperkte waarden vallen, wordt een waarschuwingsbericht naar het NMEA2000-netwerk verzonden en op het scherm van het Exxx-apparaat weergegeven. De lijst met beschikbare waarschuwingen wordt hieronder geschreven:

Parameter Waarschuwing	Opties
Laagspanning	Waarschuwing verschijnt wanneer de spanning op de batterij onder de geselecteerde waarde staat
Hoogspanning	Waarschuwing verschijnt wanneer de spanning op de batterij boven de geselecteerde waarde ligt
Hoge laadstroom	Stel de maximale laadstroom in
Hoge ontladstroom	Stel de bovengrens in van de stroom die door apparaten kan worden getrokken
Lage temperatuur	Stel een lage temperatuurlimiet in voor waarschuwing
Hoge temperatuur	Stel een hoge temperatuurlimiet in voor waarschuwing
Lage laadstatus	Instellen wanneer de resterende capaciteit van de batterij moet worden gewaarschuwd

Table 50: Alarm parameter



Druk op "SAVE" om uw instellingen te behouden.

6 Configureren via WIFI

SMARTSHUNT heeft een geïntegreerde WIFI-hotspot waarmee u verbinding kunt maken met een smartphone of een ander apparaat dat surfen op het web mogelijk maakt. Het kan automatisch worden verbonden met het scannen van de QR-code hieronder serienummer. U krijgt mogelijk een bericht van het systeem dat er mogelijk geen internetverbinding beschikbaar is, maar voer gewoon uw webbrowser uit en typ config.lxnav.com. Als u op enter drukt, verschijnt de configuratiepagina. Voordat u een parameter wijzigt, moet de gebruiker SMARTSHUNT in de configuratiemodus zetten. Dat betekent dat violette status-LED moet branden. In een andere modus worden de instellingen niet opgeslagen. Om WIFI in te schakelen of in de configuratiemodus te zetten, drukt u langer dan een seconde op de Config-knop.

De configuratiewebpagina die wordt weergegeven, bestaat uit vier pagina's die eenvoudig bovenaan het scherm kunnen worden geselecteerd: Home, Battery config, Shunt config en Info-pagina.

6.1 Homepage

Op de startpagina kan de gebruiker alle huidige gegevens van het systeem in realtime bekijken die het resultaat zijn van geselecteerde waarden op configuratiepagina's, bijvoorbeeld spanningen, temperaturen, getrokken stroom, laadtoestand, enz. evenals piek geregistreerde waarden en geschiedenis van alarmmeldingen.

6.2 Batterij configuratie

Op deze pagina configureert de gebruiker het batterijtype met alle benodigde gegevens die verplicht zijn voor correcte berekeningen van de batterijstatus en -status.



Gelieve geen toegang te krijgen tot de browser via QR-code voor configuratie, omdat de browser geen pop-upvensters ondersteunt en het opslaan van de configuratie niet mogelijk is.

De enige manier is om de browser te openen en config.lxnav.com te bezoeken. Vervolgens kunt u configuratie-instellingen wijzigen en opslaan.

6.3 Shunt configuratie pagina

Alle benodigde gegevens met betrekking tot de huidige metingen moeten op deze pagina worden ingevuld. Er is ook knopinstelling voor gewenste WIFI-actie.

6.4 Info pagina

Op deze pagina staat alle informatie over het apparaat. Het serienummer, de hardware- en softwareversie.

6.5 Configuratie via LXNAV Exxx-apparaat

Tweede optie voor configuratie van SMARTSHUNT is via elk Exxx-apparaat. Ervan uitgaande dat het NMEA2000-netwerk tot stand is gebracht, zijn batterij- en shuntconfiguratiepagina's toegankelijk via verschillende paden onder instellingsmenu's. In de volgende twee hoofdstukken zijn geschreven paden waar menu's kunnen worden gevonden en hun venstervoorbeelden. Voor het bedienen en kalibreren van externe apparaten op Exxx-eenheden raadpleegt u ook de Exxx-gebruikershandleiding.

6.6 Batterij instellen

Parameters met betrekking tot batterijpakketten moeten worden ingesteld in het menu dat toegankelijk is via dit pad:

Instellingen->Netwerk->Apparaat kalibratie->Batterij

1. Shunt instellen

Het tweede configuratiemenu is te vinden onder:

Instellingen->Netwerk->Verbonden apparaten->

Apparaatdetails->Apparaatinstellingen

Parameters daar hebben betrekking op metingen tussen de uiteinden van de shunt. Er is ook informatie over WiFi hotspot naam en wachtwoord waaronder SMARTSHUNT toegankelijk is.

Binnen shunt setup is submenu **Waarschuwingen configuratie** met door de gebruiker selecteerbare parameters limieten voor waarschuwingsberichten. Er zijn in totaal zeven waarschuwingen beschikbaar.

7 Eerste operatie

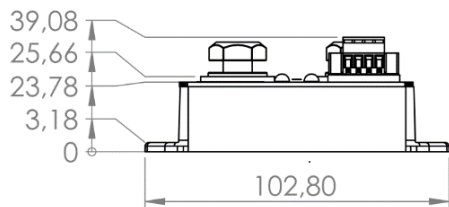
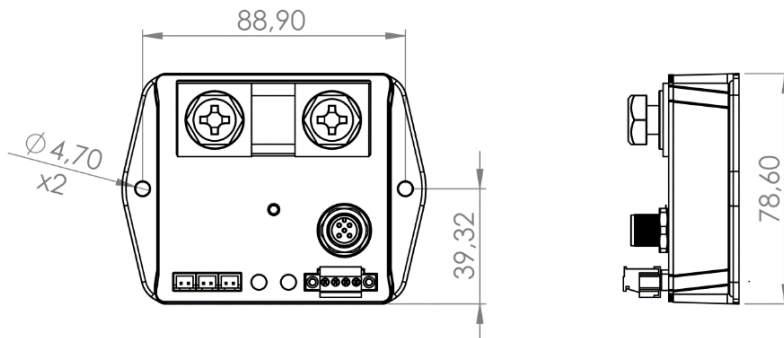
SmartShunt zal normaal gaan werken en echte waarden aangeven na de eerste cyclus. De initiële cyclus is voltooid, wanneer de eerste keer wordt voldaan aan de voorwaarden voor een volle batterij (spanning moet hoger zijn dan de spanningsinstelling voor vol en de laadstroom moet onder de volledige stroominstelling dalen)

Om echt goede prestaties te krijgen, heeft slimme shunt meer laad- / ontladcycli nodig, om ook andere parameters zoals laad efficiëntie af te stemmen....

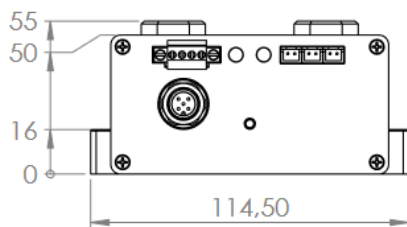
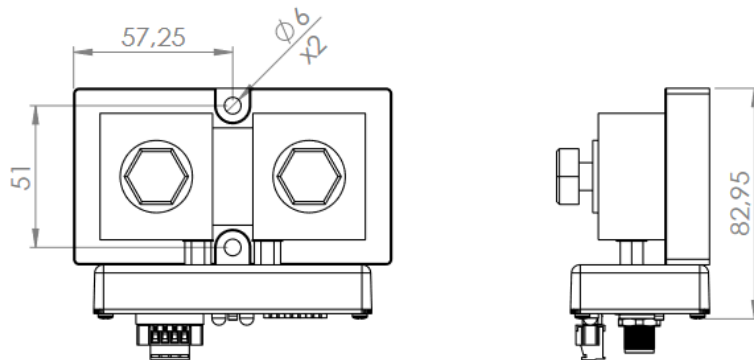
8 Dimensies

Version :

- 100A
- 300A
- 500A



Version : 1000A



Tekenen is niet op schaal

9 Bedrading

Figuur hieronder toont voorbeeldbedrading met combinatie van drie accupakketten. Als de gebruiker minder batterijen heeft, laat dan speciale terminals leeg.

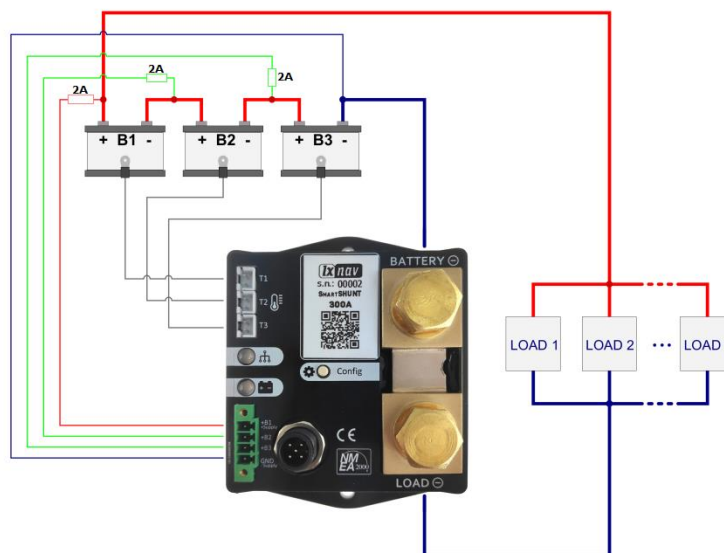


Figure 39: Batterijen in serie

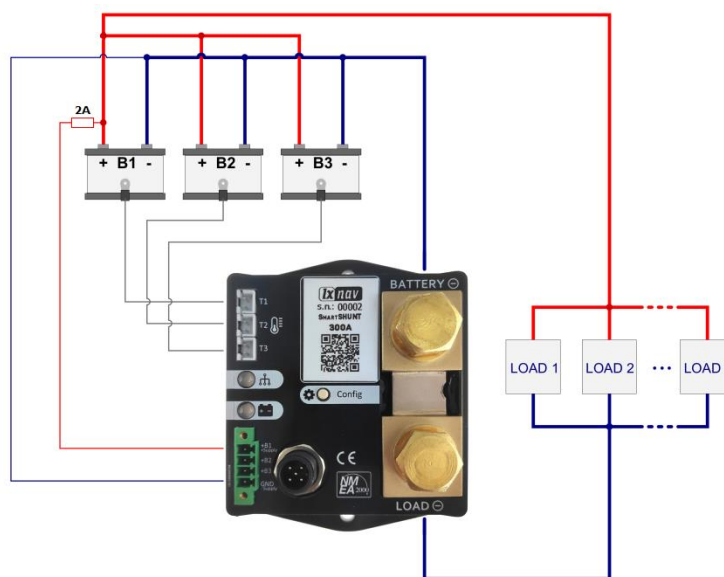


Figure 40: Batterijen parallel

1 Ważne uwagi

Informacje zawarte w tym dokumencie mogą ulec zmianie bez powiadomienia. LXNAV zastrzega sobie prawo do zmiany lub ulepszenia swoich produktów oraz do wprowadzania zmian w treści tego materiału bez obowiązku powiadamiania jakiegokolwiek osoby lub organizacji o takich zmianach lub ulepszeniach.

1.1 Ograniczona gwarancja

Ten cyfrowy produkt do monitorowania baterii jest wolny od wad materiałowych lub produkcyjnych przez dwa lata od daty zakupu. W tym okresie LXNAV, według własnego uznania, naprawi lub wymieni wszelkie komponenty, które ulegną awarii podczas normalnego użytkowania. Takie naprawy lub wymiany będą dokonywane bezpłatnie dla klienta za części i robocizną, pod warunkiem, że klient pokryje koszty wysyłki. Niniejsza gwarancja nie obejmuje awarii spowodowanych nadużyciem, niewłaściwym użytkowaniem, wypadkiem lub nieautoryzowanymi zmianami lub naprawami.

GWARANCJE I ŚRODKI ZARADCZE ZAWARTE W NINIEJSZYM DOKUMENCIE SĄ WYŁĄCZNE I ZASTĘPUJĄ WSZELKIE INNE GWARANCJE WYRAŻNE, DORÓZUMIANE LUB USTAWOWE, W TYM WSZELKĄ ODPOWIEDZIALNOŚĆ WYNIKAJĄCĄ Z JAKIEJKOLWIEK GWARANCJI PRZYDATNOŚCI HANDLOWEJ LUB PRZYDATNOŚCI DO OKREŚLONEGO CELU, USTAWOWEGO LUB INNEGO. NINIEJSZA GWARANCJA DAJE UŻYTKOWNIKOWI OKREŚLONE PRAWA, KTÓRE MOGĄ SIĘ RÓŻNIĆ W ZALEŻNOŚCI OD STANU.

W ŻADNYM WYPADKU LXNAV NIE PONOSI ODPOWIEDZIALNOŚCI ZA JAKIEJKOLWIEK PRZYPADKOWE, SZCZEGÓLNE, POŚREDNIE LUB WTÓRNE SZKODY, WYNIKAJĄCE Z UŻYTKOWANIA, NIEWŁAŚCIWEGO UŻYTKOWANIA LUB NIEMOŻNOŚCI KORZYSTANIA Z TEGO PRODUKTU LUB Z WAD PRODUKTU.

Niektóre stany nie zezwalają na wyłączenie szkód przypadkowych lub wtórnych, więc powyższe ograniczenia mogą nie mieć zastosowania. LXNAV zachowuje wyłączne prawo do naprawy lub wymiany urządzenia lub oprogramowania lub do zaoferowania pełnego zwrotu ceny zakupu, według własnego uznania. TAKIE ZADOŚCUCZYNIENIE BĘDZIE JEDYNYM I WYŁĄCZNYM ŚRODKIEM ZARADCZYM PRZYSŁUGUJĄCYM UŻYTKOWNIKOWI W PRZYPADKU NARUSZENIA GWARANCJI.

Aby skorzystać z serwisu gwarancyjnego, skontaktuj się z lokalnym dealerem LXNAV lub bezpośrednio z LXNAV.

2 Bezpieczeństwo

2.1 Symbole wskazujące ostrzeżenia

Poniższe ostrzeżenia są używane w niniejszej instrukcji w kontekście bezpieczeństwa.



Notatki z czerwonym trójkątem wskazują, że istnieje duże potencjalne niebezpieczeństwo, które może prowadzić do poważnych obrażeń lub śmierci. Opisuje również procedury, które są krytyczne i mogą spowodować utratę danych lub jakąkolwiek inną krytyczną sytuację.



Żółty trójkąt jest pokazany dla części instrukcji, które należy czytać bardzo uważnie i są ważne podczas obsługi E500 / E700/E900.



Ikona żarówki jest wyświetlana, gdy czytelnik otrzyma przydatną wskazówkę.

Przełącz instrukcje bezpieczeństwa innym użytkownikom.

Należy zawsze przestrzegać ogólnych zasad i przepisów dotyczących bezpieczeństwa i zapobiegania wypadkom.

3 Informacje ogólne

LXNAV SMARTSHUNT to inteligentna jednostka monitorowania baterii zgodna ze standardem sieci NMEA2000. Dokładnie mierzy napięcia DC do trzech akumulatorów połączonych szeregowo i zawiera bocznik do pomiarów prądu. Ocenia stan naładowania, stan zdrowia i pozostały czas do wyczerpania baterii. Można zmierzyć do trzech temperatur. Obsługuje wiele rodzajów akumulatorów i można go skonfigurować za pomocą dowolnego urządzenia LXNAV Exxx lub za pośrednictwem strony internetowej dostępnej przez wewnętrzny hotspot Wi-Fi. Parametry tam ustawione są dostępne w sieci NMEA2000 dla dowolnego urządzenia, takiego jak LXNAV E350, E500 itp. LXNAV SMARTSHUNT jest dostępny w cztery wersjach z bocznikiem 100, 300, 500 i 1000A. Wszystkie mają 25 mV. W celu prawidłowej instalacji przeczytaj uważnie kolejne rozdziały.

Kod QR do konfiguracji WiFi

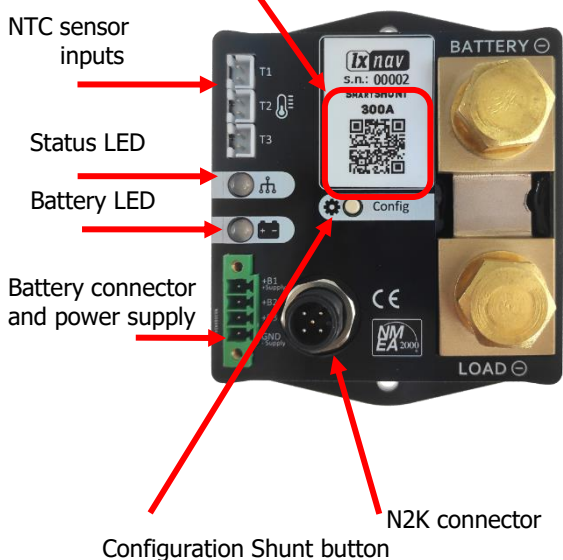


Figure 41: SMARTSHUNT - top view

Dwa tryby pracy

SmartSHUNT działa w 2 trybach:

1. LOW POWER MODE

Aby zużywać jak najmniej energii, SmartSHUNT przechodzi w tryb "niskiego poboru mocy", gdy spełnione są następujące warunki:

- ✓ NMEA2000 połączenie jest w trybie offline
- ✓ Brak podłączonego obciążenia
- ✓ Ładowarka nie jest podłączona
- ✓ SOC jest ważny
- ✓



SmartSHUNT wybudza się okresowo (8s) z trybu niskiego zasilania, aby sprawdzić warunki pomiędzy trybem niskiego zasilania a trybem normalnej mocy. W tym trybie bocznik mierzy, czy powyższe warunki (tryb niskiego zasilania) są nadal spełnione. Jeśli tak, urządzenie nadal działa w trybie niskiego poboru mocy, w przeciwnym razie przełącza się na normalną pracę.



Użytkownik może wymusić przejście bocznika w normalny tryb pracy, naciskając przycisk na urządzeniu przez 8 sekund (przez cały okres uśpienia). Pozostanie w normalnej pracy przez 10 minut. Jeśli po 10 minutach zostaną spełnione warunki przejścia w tryb niskiego zasilania, bocznik ponownie wejdzie w tryb niskiego zasilania.

Co 2 godziny SmartSHUNT przechodzi do normalnej pracy przez 2 minuty, nawet jeśli wszystkie powyższe warunki są spełnione, aby raz na jakiś czas ponownie obliczyć algorytm.

2. NORMAL POWER MODE

W normalnym trybie zasilania SmartSHUNT jest widoczny w sieci NMEA2000, diody LED wskazują stan SHUNT (patrz punkt 4.4) oraz Wi-Fi do konfiguracji i monitorowania akumulatora.



4 Instalacja

4.1 Zalecenie montażu

SMARTSHUNT ma płaskie dno i powinien być montowany za pomocą dwóch do stałej powierzchni obok akumulatorów, aby zminimalizować długość przewodu od zacisków akumulatora do złącza w SMARTSHUNT. Dzięki temu błąd pomiaru jest zminimalizowany do minimum.

Nie pracuj na instalacji elektrycznej, gdy jest pod napięciem.

Nie instaluj SmartSHUNT w pobliżu substancji łatwopalnych.

Nie umieszczaj SmartSHUNT w mokrych, wilgotnych lub wysokotemperaturowych przedziałach.



Nieautoryzowane modyfikacje wykluczają odpowiedzialność producenta za powstałe szkody.

Nie mieszaj baterii różnych marek, napięć lub pojemności.

4.2 NMEA2000 - specyfikacje i dane techniczne

Parametr	Opis
Zgodność	Kompatybilny z NMEA2000
Przepływność	250 kb/s
Połączenie	Kodowane złącze M12

Tabela 51: Dane techniczne NMEA2000

4.3 Złącza

Zasilacz i wejścia akumulatorowe B1-B3

LXNAV SMARTSHUNT zasilany jest z 4-pinowego złącza zaciskowego, z którego mierzy również napięcia do trzech akumulatorów. Maksymalne dopuszczalne napięcie na każdym zacisku +Bx wynosi 65 V. Podczas instalacji staraj się, aby przewody sensowe były jak najkrótsze i trzymaj je z dala od źródeł wysokiego prądu, takich jak, silniki elektryczne itp.



Figure 42: Battery terminals

Nazwa pinu	Opis
+B1 (+Podaż)	Zasilanie urządzenia i port pomiarowy dla pierwszej baterii
+B2	Zacisk pomiarowy dla drugiego akumulatora
+B3	Zacisk pomiarowy dla trzeciej baterii
GND (- Dostawa)	Wspólny zacisk uziemiający dla wszystkich trzech akumulatorów, również do zasilania Podaż

Table 52: Battery connector pinout

4.3.1 Wejścia zewnętrznych czujników temperatury

Każdy zewnętrzny czujnik temperatury NTC 10 kΩ jest dostarczany z SMARTSHUNT dla dodatkowych informacji o stanie akumulatora. Dzięki niemu możemy obliczyć jeszcze dokładniejszą pojemność baterii, która zmienia się wraz z temperaturą. Poza tym żywotność baterii zależy również od temperatury otoczenia, w którym bateria jest przechowywana. Czujnik dostarczany jest na o długości 1 m, który mieści się w dwóch złączach pinowych oznaczonych etykietami od T1 do T3. Po drugiej stronie znajduje się końcówka pierścieniowa o całkowitej średnicy montażowej 3,7 mm. Podczas instalacji systemu należy pamiętać, że każdy numer czujnika odnosi się do tego samego numeru baterii. Na przykład czujnik T1 jest przeznaczony dla akumulatora B1, T2 dla B2 i T3 dla B3.



Figure 43: NTC sensors inputs T1-T3

4.3.2 Shunt

SMARTSHUNT jest czujnikiem prądu po stronie niskiego napięcia i musi być umieszczony między obciążeniem a uziemieniem. Podłącz zacisk oznaczony BATTERY - do masy akumulatora i LOAD - do uziemienia obciążenia systemu. W zależności od potrzeb zasilających należy zastosować przewody o odpowiednich przekrojach i skręcić je z odpowiednimi końcówkami oczkowymi, które są kompatybilne z gwintem śruby boczniaka M10. Dokręcić śrubę bocznikową maksymalnym momentem obrotowym 21 Nm.

Cont.Current	Area
1000A	2x 220mm ²
500A	220mm ²
400A	150mm ²
300A	95mm ²
200A	50mm ²
100A	25mm ²

Table 53: Table 54: Cable cross sectional area

4.3.3 Złącze M12 kompatybilne z NMEA2000

5-pinowe złącze A-coded M12 na górze urządzenia

jest kompatybilne z NMEA2000 i ma standardowe wyprowadzenia. Podczas instalacji postępuj zgodnie z zaleceniami dotyczącymi okablowania sieciowego NMEA2000. Zawsze używaj wolnego złącza Tee w istniejącej sieci. Upewnij się, że złącza są prawidłowo dokręcone, aby uszczelnić metalowe styki wewnątrz i zapobiec utlenianiu.



Figure 44: Złącze M12 N2K na SMARTSHUNT

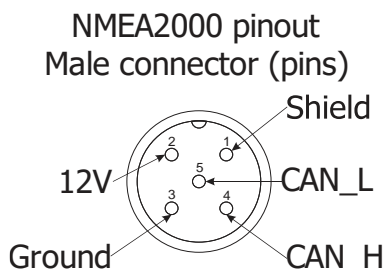


Figure 45: NMEA2000 M12 Male connector pinout (view from unit side)

4.4 Wskaźniki LED

Urządzenie SMARTSHUNT jest wyposażone w dwie diody LED RGB na górze dla szybkiego wskazywania stanu. Jeden dla ogólnego stanu urządzenia, a drugi dla wskaźnika stanu naładowania akumulatora. Wszystkie możliwe tryby są opisane w poniższych tabelach:

1. Dioda LED stanu:

Kolor	Opis
niebieska dioda LED o częstotliwości odświeżania 1 Hz	Działająca sieć CAN
niebieska dioda LED z częstotliwością 10 Hz	Inicjalizacja sieci WIFI
Świeci niebieska dioda LED	Zainicjowana sieć WIFI, konfiguracja wyłączona
Dioda LED świeci światłem ciągłym	Inicjowana sieć WIFI, konfiguracja włączona
czerwona dioda LED	Usterka sprzętowa

Tabela 55: Opis koloru diody LED stanu

1. Dioda LED baterii:

Kolor	Opis
czerwona dioda LED 1 Hz	SMARTSHUNT nie jest skonfigurowany
Świeci dioda LED na czerwono.	Stan obciążenia <30 %
Świeci żółtą diodą LED	Stan obciążenia <50 %
Dioda LED świeci na zielono	Stan obciążenia >50 %

Tabela 56: Opis koloru diody LED baterii

5 Konfiguracja SMARTSHUNT

Do prawidłowego działania SMARTSHUNT należy skonfigurować przed użyciem. Konfigurację można przeprowadzić poprzez połączenie WiFi lub sieć NMEA2000 z jednym z urządzeń LXNAV.

Istnieje kilka parametrów, które powinny być wybrane z dostępnych opcji lub napisane przez użytkownika.

Wybór odpowiednich parametrów ma kluczowe znaczenie dla poprawnych obliczeń i wyświetlania ostrzeżeń.

Parametr baterii	Opcje
Typ banku	Bateria główna, bateria podstawowa, bateria dodatkowa, bateria pomocnicza, bateria portowa, bateria na prawej burcie, bateria dziobowa, bateria rufowa, bateria słoneczna, akumulator rozruchowy, akumulator 1, akumulator 2 i "inny" akumulator
Typ chemii	Kwas ołowiowy, Li-Ion, Ni-Cad, Zn-O, Ni-MH
Typ baterii	Zalany, GEL, AGM
Napięcie znamionowe	6 V, 12 V, 24 V, 32 V, 36 V, 42 V, 48 V
Pojemność znamionowa	Powinien być ustawiony przez użytkownika zgodnie z pojemnością baterii
Temperatura	Celsjusza, Fahrenheita, Kelvina

Tabela 58: Parametry akumulatora

Parametr bocznika	Opcje
Wykładnik Peukerta	Zależność między pojemnością baterii a szybkością rozładowania. Prawidłowe wartości 1,0 ~ 1,5. Wartość początkowa jest ustawiana automatycznie na podstawie składu chemicznego baterii.
Wydajność ładowania	Wydajność ładowarki. Prawidłowe wartości 0,6 ~ 1,0. Wartość jest stale modyfikowana podczas żywotności baterii.
Współczynnik temperaturowy	Zależność między pojemnością baterii a temperaturą otoczenia. Prawidłowe wartości 0.0 ~ 1.0
Napięcie przy pełnym akumulatorze (V)	Napięcie pływakowe ładowarki. Wartość początkowa jest ustawiana automatycznie na podstawie składu chemicznego akumulatora i napięcia nominalnego.
Prąd przy pełnym akumulatorze (A)	Prąd pływakowy ładowarki. Wartość początkowa jest ustawiana automatycznie na podstawie składu chemicznego akumulatora i pojemności znamionowej.
Napięcie przy rozładowaniu akumulatora (V)	Napięcie puste akumulatora. Wartość początkowa jest ustawiana automatycznie na podstawie składu chemicznego akumulatora i napięcia nominalnego.
Akcja przycisku konfiguracji	Brak działania: sieć Wi-Fi jest zawsze włączona i gotowa do konfiguracji; Zasilanie WiFi: naciśnięcie przycisku włącza lub wyłącza WiFi. Po włączeniu automatycznie przechodzi w tryb konfiguracji; Konfiguracja WiFi: WiFi jest włączone przez cały czas, po naciśnięciu przycisku SMARTSHUNT wchodzi lub wychodzi z trybu konfiguracji;
SoC dolna granica (%)	0, 5, 10, 15, 20, 25, 30, 35, 40, 45, 50, 55, 60

Tabela 57: Parametry bocznika

Parametry alertu:

Wartości parametrów w tym menu mogą być dowolnie wybierane przez użytkownika. Gdy pomiary wykraczają poza ograniczone wartości, komunikat ostrzegawczy zostanie wysłany do sieci NMEA2000 i wyświetlony na ekranie urządzenia Exxx. Lista dostępnych alertów jest napisana poniżej:

Parametr alertu	Opcje
Niskie napięcie	Alert pojawi się, gdy napięcie na akumulatorze będzie poniżej wybranej wartości
Wysokie napięcie	Alert pojawi się, gdy napięcie na akumulatorze przekroczy wybraną wartość
Wysoki prąd ładowania	Ustaw maksymalny prąd ładowania
Wysoki prąd rozładowania	Ustaw górny limit prądu, który może być pobierany przez urządzenia
Niska temperatura	Ustaw niski limit temperatury dla alertu
Wysoka temperatura	Ustaw wysoki limit temperatury dla alertu
Niski stan naładowania	Ustawianie czasu ostrzegania o pozostałej pojemności baterii

Tabela 59: Parametr alarmu



Naciśnij "ZAPISZ", aby zachować ustawienia.

6 Konfiguracja przez WIFI

SMARTSHUNT ma zintegrowany hot spot WIFI, do którego można połączyć się ze smartfonem lub dowolnym innym urządzeniem umożliwiającym przeglądanie stron internetowych. Może być automatycznie połączony ze skanowaniem kodu QR poniżej numeru seryjnego. Możesz otrzymać komunikat z systemu, że może nie być dostępne połączenie z Internetem, ale po prostu uruchom przeglądarkę internetową i wpisz config.lxnav.com. Po naciśnięciu enter pojawi się strona konfiguracji. Przed zmianą jakiegokolwiek parametru należy przełączyć SMARTSHUNT w tryb konfiguracji. Oznacza to, że fioletowa dioda LED stanu musi świecić. W żadnym innym trybie ustawienia nie zostaną zapisane. Aby włączyć WIFI lub przełączyć go w tryb konfiguracji, naciśnij przycisk Config przez ponad sekundę.

Strona konfiguracji, która się pojawi, składa się z czterech stron łatwo wybieralnych na górze ekranu: Strona główna, Konfiguracja baterii, Konfiguracja bocznika i strona informacyjna.

6.1 Strona główna

Na stronie głównej użytkownik może przeglądać wszystkie aktualne dane systemu w czasie rzeczywistym, które są wynikiem wybranych wartości na stronach konfiguracyjnych, na przykład napięcia, temperatury, pobierany prąd, stan naładowania itp. a także wartości szczytowe i historia komunikatów alarmowych.

6.2 Konfiguracja baterii

Na tej stronie użytkownik konfiguruje typ baterii ze wszystkimi niezbędnymi danymi, które są niezbędne do prawidłowego obliczenia stanu i stanu baterii.



Nie należy uzyskiwać dostępu do przeglądarki za pomocą kodu QR w celu konfiguracji, ponieważ przeglądarka nie obsługuje wyskakujących okienek i zapisanie konfiguracji nie będzie możliwe.

Jedynym sposobem jest otwarcie przeglądarki i odwiedzenie config.lxnav.com. Następnie możesz zmienić i zapisać ustawienia konfiguracji.

6.2.1 Strona konfiguracji bocznika

Wszystkie niezbędne dane związane z bieżącymi pomiarami powinny być wypełnione na tej stronie. Istnieje również ustawienie przycisku dla żądanej akcji WIFI.

6.2.2 Strona informacyjna

Na tej stronie znajdują się wszystkie informacje o urządzeniu. Numer seryjny, wersja sprzętu i oprogramowania.

6.2.3 Konfiguracja przez urządzenie LXNAV Exxx

Drugą opcją konfiguracji SMARTSHUNT jest dowolne urządzenie Exxx. Zakładając, że sieć NMEA2000 jest ustanowiona, strony konfiguracji baterii i bocznika są dostępne pod różnymi ścieżkami w menu ustawień. W kolejnych dwóch rozdziałach znajdują się napisane ścieżki, w których można znaleźć menu i ich podgląd okien. Informacje na temat obsługi i kalibracji urządzeń zewnętrznych w urządzeniach Exxx znajdują się również w instrukcji obsługi Exxx.

6.2.4 Konfiguracja baterii

Parametry związane z pakietami akumulatorów należy ustawić w menu dostępnym pod tą ścieżką:
Ustawienia->Sieć->Kalibracja urządzenia->Bateria

6.2.5 Konfiguracja bocznika

Drugie menu konfiguracyjne znajduje się w:
Ustawienia->Sieć->Podłączone urządzenia->Szczegóły urządzenia->Konfiguracja urządzenia

Parametry dotyczą pomiarów między zaciskami bocznika. Istnieją również informacje o nazwie hotspotu WiFi i hasle, pod którym dostępny jest SMARTSHUNT.

Wewnątrz konfiguracji bocznika znajduje się podmenu **Konfiguracja alertów** z parametrami wybieranymi przez użytkownika, limitami komunikatów ostrzegawczych. W sumie dostępnych jest siedem ostrzeżeń.

7 Pierwsza operacja

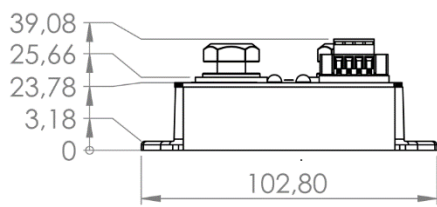
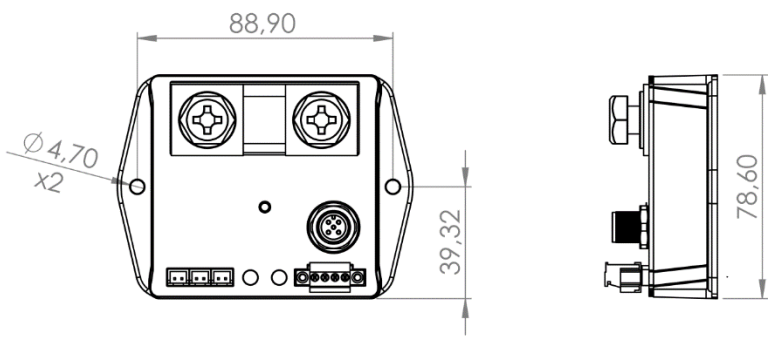
SmartShunt zacznie działać normalnie i wskaże rzeczywiste wartości po początkowym cyklu. Cykl początkowy jest zakończony, gdy po raz pierwszy spełnione są warunki pełnego akumulatora (napięcie musi być wyższe niż ustawienie napięcia dla pełnego i prąd ładowania musi spaść poniżej pełnego ustawienia prądu)

Aby uzyskać naprawdę dobrą wydajność, inteligentny bocznik będzie potrzebował więcej cykli ładowania / rozładowania, aby dostroić również inne parametry, takie jak wydajność ładowania....

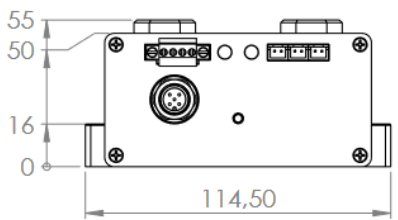
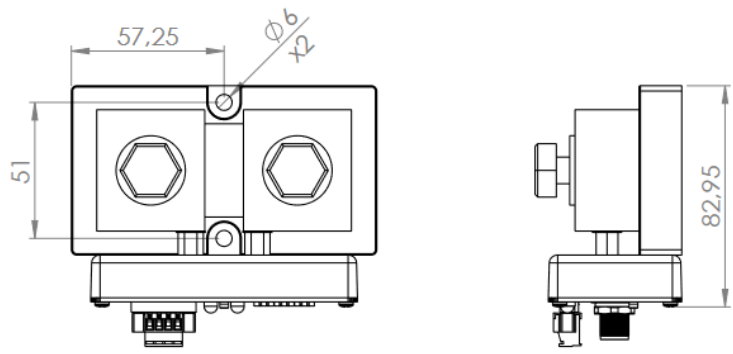
8 Wymiary

Version :

- 100A
- 300A
- 500A



Version : 1000A



Drawing is not to scale

9 Okablowanie

Rysunek poniżej pokazuje przykładowe okablowanie z kombinacją trzech akumulatorów. Jeśli użytkownik ma mniej baterii, pozostaw dedykowane zaciski puste.

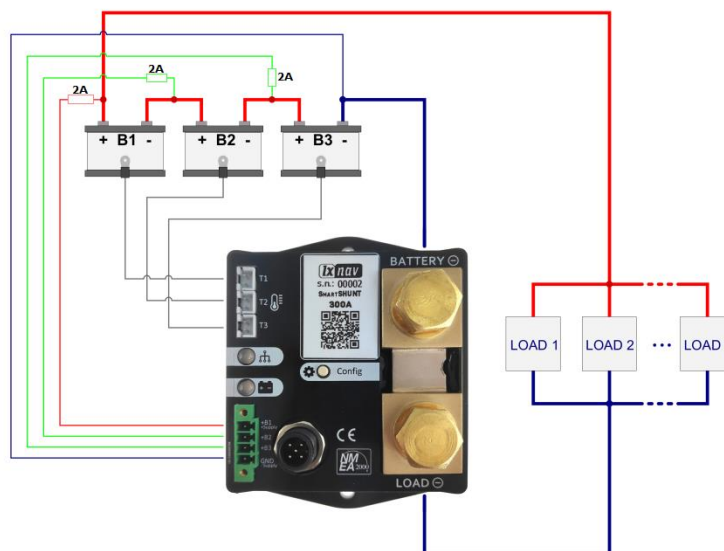


Figure 46: Akumulatory szeregowe

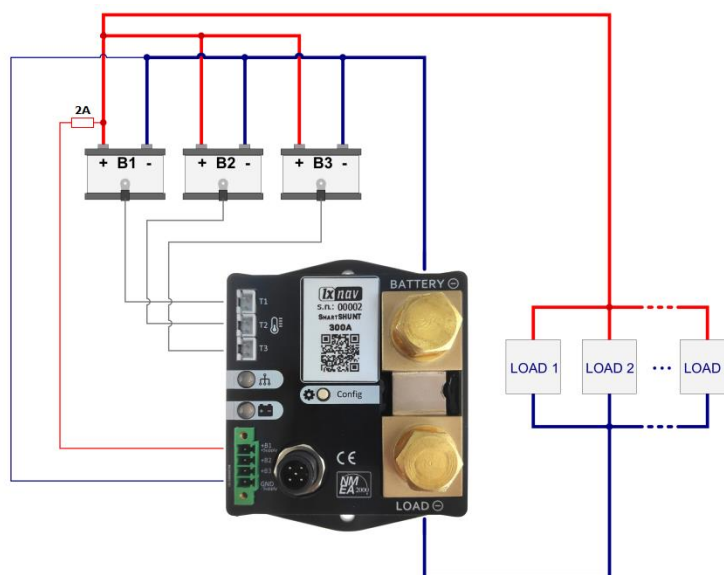


Figure 47: Baterie równoległe

1 Vigtige meddelelser

Oplysningerne i dette dokument kan ændres uden varsel. LXNAV forbeholder sig ret til at ændre eller forbedre deres produkter og til at foretage ændringer i indholdet af dette materiale uden forpligtelse til at underrette nogen person eller organisation om sådanne ændringer eller forbedringer.

1.1 Begrænset garanti

Dette digitale batteriovervågningsenhedsprodukt garanteres at være fri for defekter i materialer eller udførelse i to år fra købsdatoen. Inden for denne periode vil LXNAV efter eget valg reparere eller udskifte komponenter, der fejler ved normal brug. Sådanne reparationer eller udskiftninger foretages uden beregning for kunden for dele og arbejdskraft, forudsat at kunden betaler for forsendelsesomkostninger. Denne garanti dækker ikke fejl på grund af misbrug, misbrug, ulykke eller uautoriserede ændringer eller reparationer.

DE GARANTIER OG RETSMIDLER, DER ER INDEHOLDT HERI, ER EKSKLUSIVE OG TRÆDER I STEDET FOR ALLE ANDRE GARANTIER, DER ER UDTRYKT ELLER UNDERFORSTÅET ELLER LOVBESTEMT, HERUNDER ETHVERT ANSVAR, DER OPSTÅR UNDER ENHVER GARANTI FOR SALGBARHED ELLER EGNETHED TIL ET BESTEMT FORMÅL, LOVBESTEMT ELLER PÅ ANDEN MÅDE. DENNE GARANTI GIVER DIG SPECIFIKKE JURIDISKE RETTIGHEDER, SOM KAN VARIERE FRA STAT TIL STAT.

LXNAV ER UNDER INGEN OMSTÆNDIGHEDER ANSVARLIG FOR TILFÆLDIGE, SÆRLIGE, INDIREKTE ELLER FØLGESKADER, UANSET OM DE SKYLDES BRUG, MISBRUG ELLER MANGLENDE EVNE TIL AT BRUGE DETTE PRODUKT ELLER FRA DEFEKTER I PRODUKTET.

Nogle stater tillader ikke udelukkelse af tilfældige skader eller følgeskader, så ovenstående begrænsninger gælder muligvis ikke for dig. LXNAV forbeholder sig eneret til at reparere eller udskifte enheden eller softwaren, eller til at tilbyde fuld refusion af købsprisen, efter eget skøn. ET SÅDANT RETSMIDDEL ER DIT ENESTE OG EKSKLUSIVE RETSMIDDEL FOR ETHVERT BRUD PÅ GARANTIEN.

For at få garantiservice skal du kontakte din lokale LXNAV-forhandler eller kontakte LXNAV direkte.

2 Sikkerhed

2.1 Symboler til advarselsindikationer

Følgende advarselsangivelser anvendes i denne vejledning i forbindelse med sikkerhed.



Noter med en rød trekant indikerer, at der findes stor potentiel fare, der kan føre til alvorlig personskade eller død. Den beskriver også procedurer, der er kritiske og kan resultere i tab af data eller enhver anden kritisk situation.



Der vises en gul trekant for dele af manualen, som skal læses meget omhyggeligt og er vigtige, når E500/E700/E900 betjenes.



Et pæreikon vises, når læseren får et nyttigt tip.

Giv sikkerhedsinstruktionerne videre til andre brugere.

Generelle regler og love vedrørende sikkerhed og forebyggelse af ulykker skal altid overholdes.

3 Generelle oplysninger

LXNAV SMARTSHUNT er en smart batteriovervågningsenhed, der er kompatibel med NMEA2000 netværksstandard. Den måler nøjagtigt DC-spændinger på op til tre batterier bundet i serie og inkluderer shunt til strømmålinger. Den estimerer ladetilstand, helbredstilstand og resterende tid indtil tomt batteri. Der kan måles op til tre temperaturer. Den understøtter flere typer batterier og kan konfigureres gennem enhver LXNAV Exxx-enhed eller via webside, der er tilgængelig via internt Wi-Fi-hotspot. Parametre indstillet der er tilgængelige på NMEA2000 netværk til enhver enhed såsom LXNAVs E350, E500 osv. LXNAV SMARTSHUNT fås i tre versioner med 100, 300 og 500 A shunt. Alle er 25 mV. Læs de næste kapitler omhyggeligt for korrekt installation.

QR code for WiFi configuration

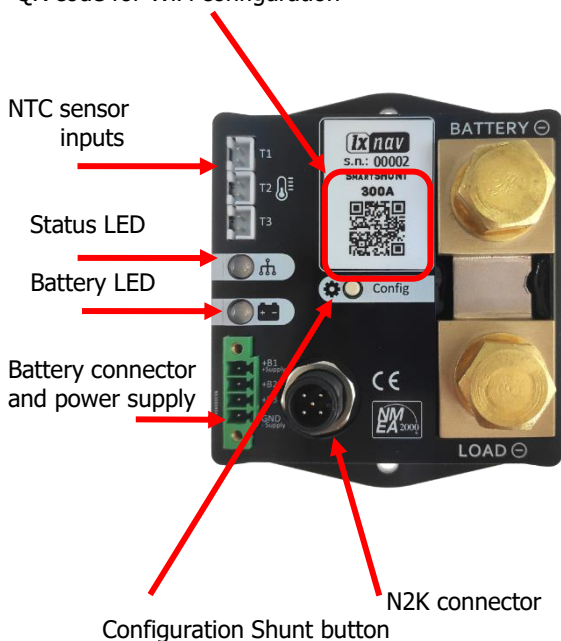


Figure 48: SMARTSHUNT - top view

To driftstilstande

SmartSHUNT fungerer i 2 tilstande:

1. LOW POWER MODE

For at forbruge så lidt energi som muligt går SmartSHUNT i "Low Power Mode", når følgende betingelser er opfyldt:

- ✓ NMEA2000 forbindelse er offline
- ✓ Ingen belastning tilsluttet
- ✓ Opladeren er ikke tilsluttet
- ✓ SOC er gyldig



SmartSHUNT vågner periodisk (8s) fra energibesparende tilstand for at kontrollere forholdene mellem LOW POWER MODE / NORMAL POWER MODE drift.

I denne tilstand måler shunten, om ovenstående betingelser (energibesparende tilstand) stadig er opfyldt. I så fald fortsætter enheden med at køre i lav strømtilstand, ellers skifter den til normal drift.



Brugeren kan tvinge SHUNT til at gå i normal driftstilstand ved at trykke på knappen på enheden i 8 sekunder (i hele dvaleperioden).

Det forbliver i normal drift i 10 minutter. Hvis betingelserne for at skifte til energibesparende tilstand er opfyldt efter 10 minutter, vil shunten gå ind i energibesparende tilstand igen.

Hver 2. time går SmartSHUNT i normal drift i 2 minutter, selv når alle ovenstående betingelser er opfyldt for at genberegne algoritmen en gang imellem.

2. NORMAL POWER MODE

I normal strømtilstand er SmartSHUNT synlig på det NMEA2000 netværk, LED'erne angiver SHUNT-status (se afsnit 4.4) og Wi-Fi til konfiguration og overvågning af batteriet.



4 Installation

4.1 Anbefaling af montering

SMARTSHUNT har flad bund og skal monteres med to skruer på fast overflade ved siden af batteripakker for at minimere ledningslængden fra batteripoler til stik på SMARTSHUNT. Med dette minimeres målefejl til et minimum.

Arbejd ikke på det elektriske system, mens det er tændt.

Installer ikke SmartSHUNT i nærheden af brændbare stoffer.

Anbring ikke SmartSHUNT i våde, fugtige eller højtemperaturreum.

Uautoriserede ændringer udelukker producentens ansvar for eventuelle deraf følgende skader.

Bland ikke batterier af forskellige mærker, spændinger eller kapaciteter.



4.2 NMEA2000 specifications

Parameter	Beskrivelse:
Kompatibilitet	NMEA2000-kompatibel
Bithastighed	250 kbps
Forbindelse	Et kodet M12-stik

Table 60: NMEA2000 specifications

4.3 Connectors

Strømforsyning og batteriindgange B1-B3

LXNAV SMARTSHUNT drives af 4-benet terminalstik, hvorfra den også måler spændinger på op til tre batterier. Maksimal tilladt spænding på hver +Bx-terminal er 65 V. Når du installerer, skal du prøve at give mening ledninger så korte som muligt og holde dem væk fra kilder med høj strøm som kabler, elektriske motorer osv.



Figure 49: Battery terminals

Fastgør navn	Beskrivelse:
+B1 (+Forsyning)	Strømforsyning til enhed og måleport til første batteri
+B2	Måleterminal til andet batteri
+B3	Måleterminal til tredje batteri
JORD (- forsyning)	Fælles jordterminal til alle tre batterier, også til strøm Udbud

Table 61: Battery connector pinout

4.3.1 Eksterne temperaturfølerindgange

Hver ekstern NTC 10 kΩ temperatursensor leveres med SMARTSHUNT for yderligere information om batteristatus. Med det kan vi beregne endnu mere præcis batterikapacitet, der ændrer sig med temperaturen. Derudover afhænger batteriets levetid også af temperaturen i miljøet, hvor batteriet opbevares. Sensoren leveres på 1 m langt kabel, der passer i to polet stik mærket fra T1 til T3. På den anden side af kablet er ringklemme med montering af hele diameteren på 3,7 mm. Når du installerer systemet, skal du huske på, at hvert sensornummer refererer til det samme batterinumner. For eksempel er sensor T1 til batteripakke B1, T2 til B2 og T3 til B3.



Figure 50: NTC sensors inputs T1-T3

4.3.2 Shunt

SMARTSHUNT er strømsensorenhed på lav side, og den skal placeres mellem belastning og jord. Led terminalen mærket BATTERY - til batterijord og LOAD - til jord fra systembelastning. Afhængigt af strømbehovet, brug passende tværsnit af kabler og skru dem med passende ringsko, som er kompatible med shuntens boltgevindstørrelse på M10. Spænd shuntbolten med et maksimalt moment på 21Nm.

Cont.Current	Area
1000A	2x 220mm ²
500A	220mm ²
400A	150mm ²
300A	95mm ²
200A	50mm ²
100A	25mm ²

Table 62: Table 63: Cable cross sectional area

4.3.3 NMEA2000-kompatibelt M12-stik

M12 5-benet A-kodet stik oven på enheden er

kompatibel med NMEA2000 og har standard pinout. Når du installerer, skal du følge anbefalingerne fra NMEA2000-netværksledninger. Brug altid gratis Tee-stik på eksisterende netværk. Sørg for, at stikkene er strammet ordentligt sammen for at forsegle metalkontakter indeni og forhindre oxidation.



Figure 51: M12 N2K connector on SMARTSHUNT

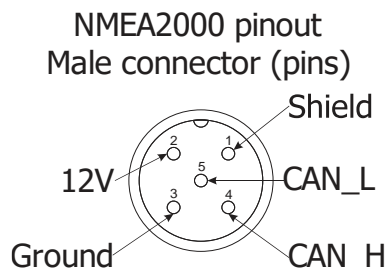


Figure 52: NMEA2000 M12 Male connector pinout (view from unit side)

4.4 LED-indikationer

SMARTSHUNT-enheden har to RGB-lysdioder på oversiden for hurtig statusindikation. Den ene for enhedens generelle status, mens den anden er for indikationen af batteriets opladningstilstand. Alle mulige tilstande er beskrevet i nedenstående tabeller:

- Status LED:

Farve	Beskrivelse:
Blinker blå LED med 1 Hz	Arbejde CAN-netværk
Blinkende blå LED med 10 Hz	Initialisering af WIFI-netværk
Konstant blå LED	WIFI initialiseret, konfiguration deaktiveret
Konstant violet LED	WIFI initialiseret, konfiguration aktiveret
Blinker rødt LED	Hardware fejl

Tabel 64: Status LED-farvebeskrivelse

1. Batteri LED:

Farve	Beskrivelse:
Blinker rødt LED 1 Hz	SMARTSHUNT er ikke konfigureret
Konstant rød LED	Afgift <30 %
Konstant gul LED	Afgift <50 %
Konstant grøn LED	Afgift >50 %

Tabel 65: Beskrivelse af batteri-LED-farve

5 Konfigurere SMARTSHUNT

For korrekt drift skal SMARTSHUNT konfigureres før brug. Konfiguration kan udføres via WiFi-forbindelse eller NMEA2000-netværk med en af LXNAV-enheder. Der er flere parametre, der enten skal vælges blandt tilgængelige indstillinger eller skrives af brugeren.

Valg af rigtige parametre er afgørende for korrekte beregninger og visning af advarsler.

Batteri parameter	Indstillinger
Banktype	Hovedbatteri, primært batteri, sekundærbatteri, ekstra batteri, portbatteri, styrbords batteri, bovatteri, hækbatteri, solbatteri, startbatteri, batteribank 1, batteribank 2 og "andet" batteri
Kemi type	Blysyre, Li-ion, Ni-Cad, Zn-O, Ni-Mh
Batteri type	Oversvømmet, GEL, generalforsamling
Nominel spænding	6 V, 12 V, 24 V, 32 V, 36 V, 42 V, 48 V
Nominel kapacitet	Skal indstilles af brugeren i henhold til batterikapacitet
Temperatur	Celsius, Fahrenheit, Kelvin

Tabel 67: Batteriparametre

Shunt parameter	Indstillinger
Peukert eksponent	Afhængighed mellem batterikapacitet og afladningshastighed. Gyldige værdier 1,0 ~ 1,5 Startværdien indstilles automatisk baseret på batterikemi.
Opladning effektivitet	Opladerens effektivitet. Gyldige værdier 0,6 ~ 1,0 Værdien ændres konstant i løbet af batteriets levetid.
Temperaturkoefficient	Afhængighed mellem batterikapacitet og omgivelsestemperatur. Gyldige værdier 0,0 ~ 1,0
Spænding ved fuld batteri (V)	Opladerens flydespænding. Startværdien indstilles automatisk baseret på batterikemi og nominel spænding.
Strøm ved fuld batteridrift (A)	Opladerens flydestrøm. Startværdien indstilles automatisk baseret på batterikemi og nominel kapacitet.
Spænding ved tomt batteri (V)	Tom spænding på batteriet. Startværdien indstilles automatisk baseret på batterikemi og nominel spænding.
Handling for konfigurationsknap	Ingen handling: WiFi er altid tændt og klar til konfiguration; WiFi-strøm: tryk på knap aktiverer eller deaktiverer WiFi. Når den er aktiveret, bliver den automatisk i konfigurationstilstand; WiFi-konfiguration: WiFi er aktiveret hele tiden med et tryk på knappen SMARTSHUNT går ind i eller afslutter konfigurationstilstand;
SoC lav grænse (%)	0, 5, 10, 15, 20, 25, 30, 35, 40, 45, 50, 55, 60

Table 66: Shunt parameters

Alert parameters:

Parameterværdier i denne menu kan frit vælges af brugeren. Når målingerne er uden for begrænsede værdier, sendes advarselsmeddelelsen til NMEA2000-netværket og vises på skærmen på Exxx-enheden. Listen over tilgængelige advarsler er skrevet nedenfor:

Advarsel parameter	Indstillinger
Lav spænding	Advarsel vises, når spændingen på batteriet vil være under den valgte værdi
Højspænding	Advarsel vises, når spændingen på batteriet vil være over den valgte værdi
Høj lade strøm	Indstil den maksimale lade strøm
Høj udladningsstrøm	Indstil øvre grænse for strøm, der kan trækkes af enheder
Lav temperatur	Indstil lav temperaturgrænse for advarsel
Høj temperatur	Indstil høj temperaturgrænse for alarm
Lav opladningstilstand	Indstil, hvornår der skal advares om resterende batterikapacitet

Tabel 68: Alarmparameter



Tryk på "GEM" for at beholde dine indstillinger.

6 Konfiguration via WIFI

SMARTSHUNT har integreret WIFI hot spot, som du kan oprette forbindelse til med smartphone eller enhver anden enhed, der tillader webbrowsing. Det kan automatisk forbindes med scanning af QR-kode under serienummer. Du kan få en besked fra systemet, at der muligvis ikke er tilgængelig internetforbindelse, men bare køre din webbrowser og indtaste config.lxnav.com. Ved at trykke på enter vises konfigurationssiden. Før du ændrer en parameter, skal brugeren sætte SMARTSHUNT i konfigurationstilstand. Det betyder, at violet status-LED skal være tændt. I nogen anden tilstand gemmes indstillinger ikke. For at aktivere WIFI eller sætte det i konfigurationstilstand skal du trykke på konfigurationsknappen i mere end et sekund.

Konfigurationswebseite, der vises, består af fire sider, der let kan vælges øverst på skærmen: Hjem, Batterikonfiguration, Shunt-konfiguration og Infoside.



6.1.1 Homepage

På hjemmesiden kan brugeren se alle aktuelle data for systemet i realtid, der er resultatet af valgte værdier på konfigurationssider, for eksempel spændinger, temperaturer, trukket strøm, opladningstilstand osv. samt maksimale registrerede værdier og historik for alarmmeddelelser.

6.1.2 Konfiguration af batteri

På denne side konfigurerer brugeren batteritype med alle nødvendige data, der er obligatoriske for korrekte beregninger af batteriets tilstand og sundhed.



Få ikke adgang til browseren via QR-kode til konfiguration, fordi browseren ikke understøtter popup-vinduer, og det er ikke muligt at gemme konfigurationen.

Den eneste måde er at åbne browseren og besøge config.lxnav.com. Derefter kan du ændre og gemme konfigurationsindstillinger.

6.1.3 Shunt Konfigurationsside

Alle nødvendige data relateret til aktuelle målinger skal udfyldes på denne side. Der er også knapindstilling for ønsket WIFI-handling.

6.1.4 Info page

På denne side er alle oplysninger om enhed. Dens serienummer, hardware- og softwareversion.

6.2 Konfiguration via LXNAV Exxx device

Anden mulighed for konfiguration af SMARTSHUNT er via enhver Exxx-enhed. Hvis det antages, at NMEA2000-netværket er etableret, er batteri- og shuntkonfigurationssider tilgængelige under forskellige stier under indstillingsmenuer. I de følgende to kapitler er der skrevet stier, hvor menuer kan findes og deres vindueseksempler. For betjening og kalibrering af eksterne enheder på Exxx-enheder henvises også til Exxx brugervejledning.

6.2.1 Battery setup

Parametre relateret til batteripakker skal indstilles i en menu, der er tilgængelig under denne sti:
Indstillinger->Netværk->Enhedskalibrering->Batteri

6.2.2 Shunt setup

Anden konfigurationsmenu findes under:
Indstillinger->Netværk->Tilsluttede enheder->Enhedsoplysninger->Opsætning af enhed

Parametre der vedrører målinger mellem shuntens terminaler. Der er også oplysninger om WiFi-hotspotnavn og adgangskode, hvorunder SMARTSHUNT er tilgængelig.

7 Første operation

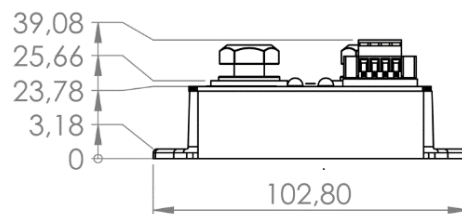
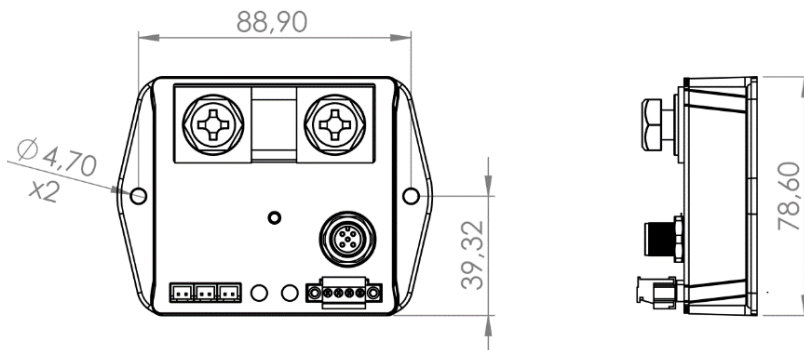
SmartShunt begynder at fungere normalt og angiver reelle værdier efter den indledende cyklus. Den indledende cyklus er afsluttet, når første gang er opfyldt betingelser for batteri fuld (spændingen skal være højere end spændingsindstillingen for fuld, og ladestrømmen skal falde til under fuld strømindsstilling)

For at få rigtig god ydeevne har smart shunt brug for flere opladnings- / afladningscykluser for også at indstille andre parametre som opladningseffektivitet....

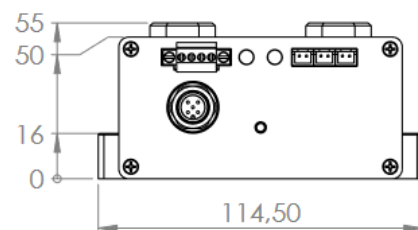
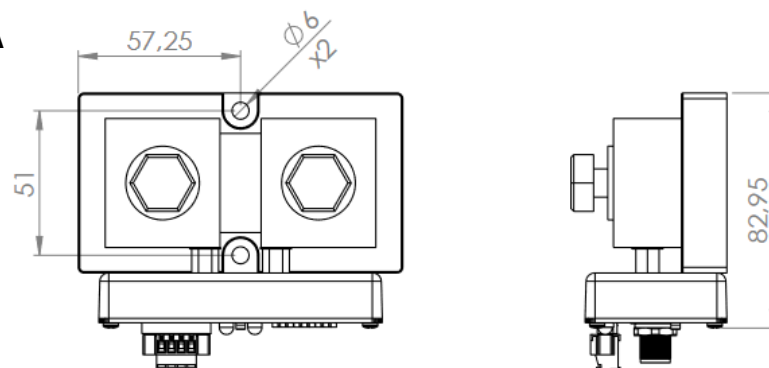
8 Dimensioner

Version :

- 100A
- 300A
- 500A



Version : 1000A



Tegning er ikke at skalere

9 Ledninger

Figur nedenfor viser eksempler på ledninger med kombination af tre batteripakker. Hvis brugeren har færre batterier, skal du lade dedikerede terminaler være tomme.

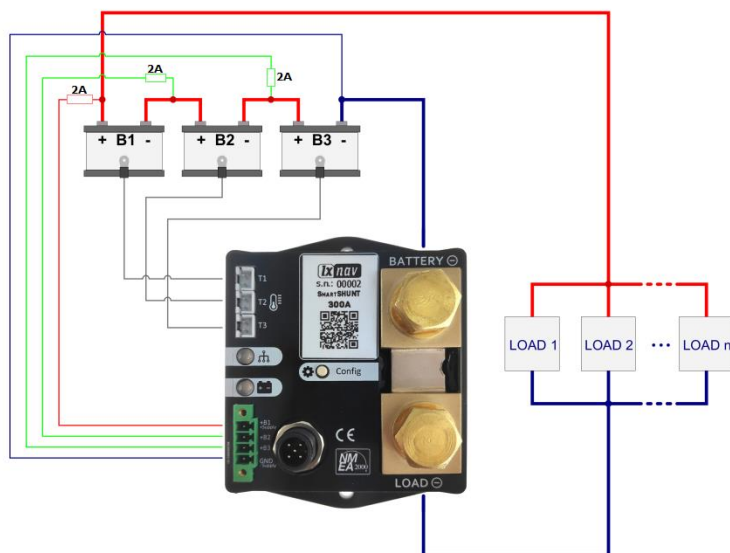


Figure 53: Batterier i serie

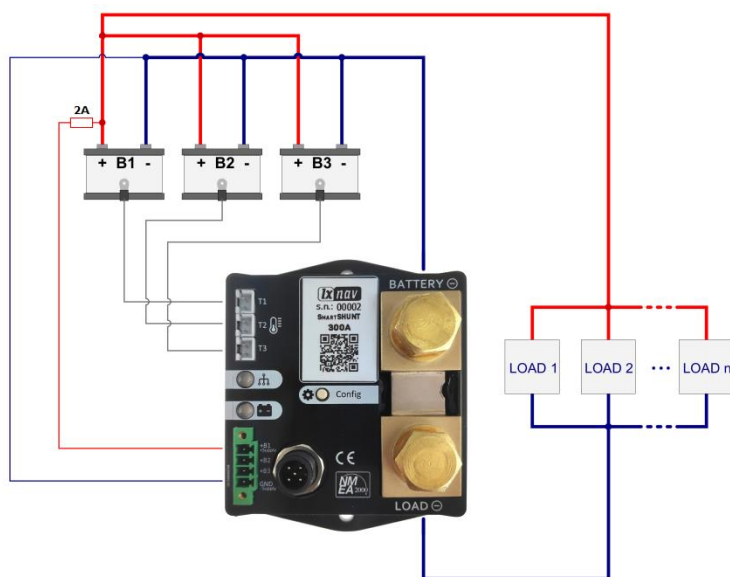


Figure 54: Batterier parallelt

1 Viktig information

Informationen i detta dokument kan ändras utan föregående meddelande. LXNAV förbehåller sig rätten att ändra eller förbättra sina produkter och att göra ändringar i innehållet i detta material utan skyldighet att meddela någon person eller organisation om sådana ändringar eller förbättringar.

1.1 Begränsad garanti

Denna produkt för digital batteriövervakningsenhet garanteras vara fri från defekter i material eller utförande i två år från inköpsdatumet. Inom denna period kommer LXNAV, efter eget val, att reparera eller byta ut komponenter som inte fungerar vid normal användning. Sådana reparationer eller utbyten kommer att göras utan kostnad för kunden för delar och arbete, förutsatt att kunden betalar för fraktkostnader. Denna garanti täcker inte fel på grund av missbruk, missbruk, olycka eller obehöriga ändringar eller reparationer.

GARANTIerna och GOTTGÖRELSEna HÄRI ÄR EXKLUSIVA OCH ERSÄTTER ALLA ANDRA GARANTIER, UTTRYCKTA ELLER UNDERFÖRSTÅDDA ELLER LAGSTADGADE, INKLUSIVE ALLT ANSVAR SOM UPPSTÅR UNDER NÅGON GARANTI FÖR SÄLJBARHET ELLER LÄMPLIGHET FÖR ETT VISST ÄNDAMÅL, LAGSTADGAT ELLER PÅ ANNAT SÄTT. DENNA GARANTI GER DIG SPECIFIKA JURIDISKA RÄTTIGHETER, SOM KAN VARIERA FRÅN STAT TILL STAT.

UNDER INGA OMSTÄNDIGHETER SKA LXNAV HÅLLAS ANSVARIG FÖR NÅGRA TILFÄLLIGA, SPECIELLA, INDIREKTA ELLER FÖLJDSKADOR, VARE SIG TILL FÖLJD AV ANVÄNDNING, FELAKTIG ANVÄNDNING ELLER OFÖRMÅGA ATT ANVÄNDA DENNA PRODUKT ELLER FRÅN DEFEKTER I PRODUKTEN.

Vissa stater tillåter inte uteslutning av tillfälliga skador eller följskador, så ovanstående begränsningar kanske inte gäller dig. LXNAV förbehåller sig den exklusiva rätten att reparera eller byta ut enheten eller programvaran, eller att erbjuda full återbetalning av inköpspriset, efter eget gottfinnande. SÅDAN GOTTGÖRELSE SKA VARA DIN ENDA GOTTGÖRELSE FÖR EVENTUELLA BROTT MOT GARANTIN.

För att få garantiservice, kontakta din lokala LXNAV-återförsäljare eller kontakta LXNAV direkt.

2 Säkerhet

2.1 Symboler för varningsindikationer

Följande varningsindikationer används i denna handbok i säkerhetssammanhang.



Anteckningar med en röd triangel indikerar att det finns stor potentiell fara som kan leda till allvarlig skada eller dödsfall. Den beskriver också förfaranden som är kritiska och kan leda till förlust av data eller någon annan kritisk situation.



En gul triangel visas för delar av manualen som bör läsas mycket noggrant och är viktiga när du använder E500/E700/E900.



En glödlampa visas när en användbar ledtråd ges till läsaren.

Vidarebefordra säkerhetsinstruktionerna till andra användare.

Allmänna regler och lagar om säkerhet och förebyggande av olyckor måste alltid följas.

3 Allmän information

LXNAV SMARTSHUNT är en smart batteriövervakningsenhet som är kompatibel med NMEA2000 nätverksstandard. Den mäter noggrant likspänningar för upp till tre batterier bundna i serie och inkluderar shunt för strömmätningar. Den uppskattar laddningstillstånd, hälsotillstånd och återstående tid tills batteriet är tomt. Upp till tre temperaturer kan mätas. Den stöder flera typer av batterier och kan konfigureras via vilken LXNAV Exxx-enhet som helst eller via webbsida som är tillgänglig via intern Wi-Fi-hotspot. Parametrar som är inställda där är tillgängliga på NMEA2000-nätverket för alla enheter som LXNAVs E350, E500 etc. LXNAV SMARTSHUNT finns i fyra versioner med 100, 300, 500 och 1000A shunt. Alla är 25 mV. För korrekt installation läs nästa kapitel noggrant.

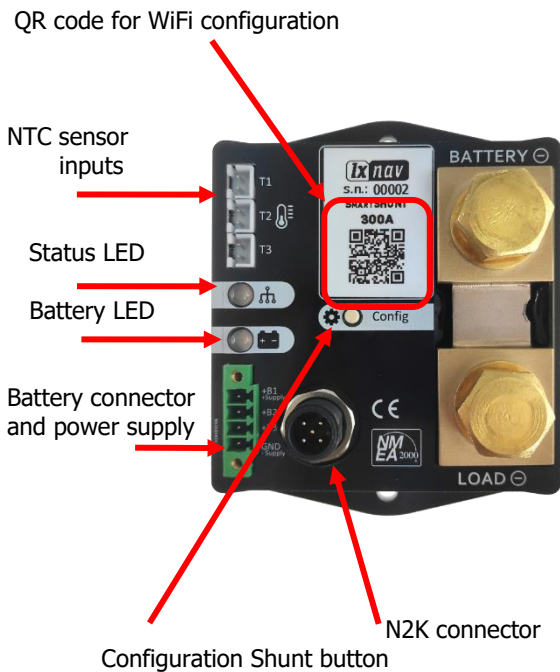


Figure 55: SMARTSHUNT - top view

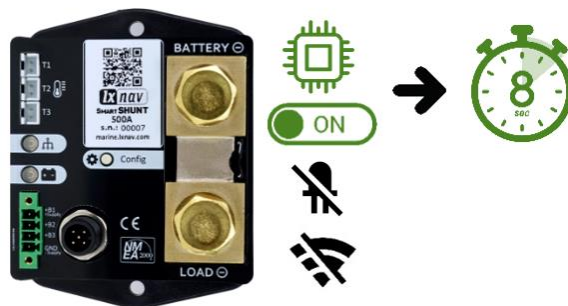
Två driftlägen

SmartSHUNT fungerar i 2 lägen:

1. **LOW POWER MODE**

För att förbruka så lite energi som möjligt går SmartSHUNT i "Low power mode" när följande villkor är uppfyllda:

- ✓ NMEA2000 anslutning är offline
- ✓ Ingen belastning ansluten
- ✓ Laddaren är inte ansluten
- ✓ SOC är giltigt



SmartSHUNT vaknar regelbundet (8s) från lågeffektläge för att kontrollera förhållandena mellan LOW POWER MODE / NORMAL POWER MODE drift. I detta läge mäter shunten om ovanstående förhållanden (lågeffektläge) fortfarande är uppfyllda. Om så är fallet fortsätter enheten att köras i lågeffektläge, annars växlar den till normal drift.



Användaren kan tvinga SHUNTEN att gå in i normalt driftläge genom att trycka på knappen på enheten i 8 sekunder (under hela sömnperioden). Den kommer att förbli i normal drift i 10 minuter. Om villkoren för att gå in i lågenergiläge är uppfyllda efter 10-minuter återgår shunten till lågenergiläge.

Var 2: e timme går SmartSHUNT till normal drift i 2-minuter även när alla ovanstående villkor är uppfyllda för att beräkna algoritmen då och då.

2. NORMAL POWER MODE

I normalt strömläge är SmartSHUNT synlig på NMEA2000 nätverk, lysdioderna indikerar SHUNT-status (se avsnitt 4.4) och Wi-Fi för konfiguration och övervakning av batteriet.



4 Installation

4.1 Rekommendation för montering

SMARTSHUNT har plan botten och bör monteras med två skruvar på fast yta bredvid batteripaketen för att minimera trådlängden från batteripolerna till kontakten på SMARTSHUNT. Med detta minimeras mättelet till ett minimum.

Arbeta inte på det elektriska systemet medan det är strömförande.

Installera inte SmartSHUNT nära brandfarliga ämnen.

Placera inte SmartSHUNT i våta, fuktiga eller högtemperaturfack.

Obehöriga ändringar utesluter tillverkarens ansvar för eventuella skador.

Blanda inte batterier av olika märken, spänningar eller kapacitet.



4.2 NMEA2000 Specifikationer

Parameter	Beskrivning
Kompatibilitet	NMEA2000-kompatibel
Bithastighet	250 kbps
Samband	En kodad M12-kontakt

Table 69: NMEA2000 specifications

4.3 Kontakter

Strömförsörjning och batteriingångar B1-B3

LXNAV SMARTSHUNT drivs från 4-polig terminalkontakt från vilken den också mäter spänningar på upp till tre batterier. Maximal tillåten spänning på varje +Bx-terminal är 65 V. När du installerar, försök att göra vettiga ledningar så korta som möjligt och håll dem borta från högströmskällor som kablar, elmotorer etc.



Figure 56: Battery terminals

Pin-namn	Beskrivning
+B1 (+Tillförsel)	Strömförsörjning för enhet och mätport för första batteriet
+B2	Mätterminal för andra batteriet
+B3	Mätterminal för tredje batteriet
GND (-Utbud)	Gemensam jordkontakt för alla tre batterierna, även för ström Tillgång

Table 70: Pinout för batterikontakt

4.3.1 Ingångar för extern temperaturgivare

Varje extern NTC 10 kΩ temperatursensor levereras med SMARTSHUNT för ytterligare information om batteristatus. Med det kan vi beräkna ännu mer exakt batterikapacitet som ändras med temperaturen. Dessutom beror batteriets livslängd också på temperaturen i miljön, där batteriet lagras. Sensorn levereras på 1 m lång kabel som passar i två stiftkontakter märkta från T1 till T3. På andra sidan kabeln finns ringklackplint med montering av hela diametern 3,7 mm. När du installerar systemet, kom ihåg att varje sensornummer avser samma batterinumner. Till exempel är sensor T1 för batteripaket B1, T2 för B2 och T3 för B3.



Figure 57: NTC sensors inputs T1-T3

4.3.2 Shunt

SMARTSHUNT är en strömvänningsenhet på låg sida och den måste placeras mellan last och jord. Anslut terminalen märkt **BATTERY** - till batterijord och **LOAD** - till jord från systembelastningen. Beroende på strömbehov använd lämpliga tvärsnitt av kablar och skruva fast dem med lämpliga ringöglor, som är kompatibla med shuntens skruvgänga storlek M10. Dra åt shuntbulten med ett maximalt vridmoment på 21Nm.

Cont.Current	Area
1000A	2x 220mm ²
500A	220mm ²
400A	150mm ²
300A	95mm ²
200A	50mm ²
100A	25mm ²

Table 71: Table 72: Cable cross sectional area

4.3.3 NMEA2000-kompatibel M12-kontakt

M12 5-stifts A-kodad kontakt ovanpå enheten är kompatibel med NMEA2000 och har standard pinout. Följ rekommendationerna från NMEA2000 nätverkskablar när du installerar. Använd alltid gratis Tee-kontakt i befintligt nätverk. Se till att kontakterna är ordentligt åtdragna för att täta metallkontakter inuti och förhindra oxidation.



Figure 58: M12 N2K connector on SMARTSHUNT

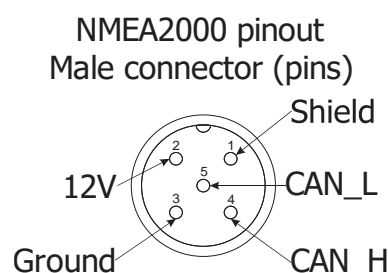


Figure 59: NMEA2000 M12 Male connector pinout (view from unit side)

4.4 LED-indikationer

SMARTSHUNT-enheten har två RGB-lysdioder på ovansidan för snabb statusindikering. En för enhetens allmänna status medan den andra är för batteriets laddningsstatusindikering. Alla möjliga lägen beskrivs i tabellerna nedan:

- Status LED:

Färg	Beskrivning
Blinkande blå LED med 1 Hz	Fungerande CAN-nätverk
Blinkande blå LED med 10 Hz	Initiering av WIFI-nätverk
Fast blå lysdiod	WIFI-initierad, konfiguration inaktiverad
Fast violett LED	WIFI initierad, konfiguration aktiverad
Blinkande röd lysdiod	Fel på maskinvara

Table 73: Status LED färgbeskrivning

- Battery LED:

Färg	Beskrivning
Blinkande röd lysdiod 1 Hz	SMARTSHUNT är inte konfigurerad
Fast röd lysdiod	Laddningsstatus <30 %
Fast gul lysdiod	Laddningsstatus <50 %
Fast grön lysdiod	Laddningsstatus >50 %

Table 74: Batteri LED färgbeskrivning

5 Konfigurera SMARTSHUNT

För korrekt drift måste SMARTSHUNT konfigureras före användning. Konfigurationen kan utföras via WiFi-anslutning eller NMEA2000-nätverk med en av LXNAV-enheterna.

Det finns flera parametrar som antingen ska väljas från tillgängliga alternativ eller skrivas av användaren.

Att välja rätt parametrar är avgörande för korrekta beräkningar och visa varningar.

Batteri parameter	Alternativ
Typ av bank	Huvudbatteri, primärt batteri, sekundärt batteri, hjälpbatteri, portbatteri, styrbordsbatteri, bogbatteri, akterbatteri, solbatteri, startbatteri, batteribank 1, batteribank 2 och "annat" batteri
Kemi typ	Blysyra, Li-jon, Ni-Cad, Zn-O, Ni-Mh
Typ av batteri	Översvämmad, GEL, årsstämma
Nominell spänning	6 V, 12 V, 24 V, 32 V, 36 V, 42 V, 48 V
Nominell kapacitet	Bör ställas in av användaren enligt batterikapacitet
Temperatur	Celsius, Fahrenheit, Kelvin

Table 76: Battery parameters

Shunt-parameter	Alternativ
Peukert exponent	Beroende mellan batterikapacitet och urladdningshastighet. Giltiga värden 1,0 ~ 1,5 Startvärdet ställs in automatiskt baserat på batterikemi.
Laddningseffektivitet	Laddarens effektivitet. Giltiga värden 0,6 ~ 1,0 Värdet ändras ständigt under batteriets livslängd.
Temperaturkoefficient	Beroende mellan batterikapacitet och omgivningstemperatur. Giltiga värden 0,0 ~ 1,0
Spänning vid fullt batteri (V)	Laddarens floatspänning. Startvärdet ställs in automatiskt baserat på batterikemi och nominell spänning.
Ström vid fullt batteri (A)	Laddarens floatström. Startvärdet ställs in automatiskt baserat på batterikemi och nominell kapacitet.
Spänning vid batteriet, tom (V)	Batteriets tomma spänning. Startvärdet ställs in automatiskt baserat på batterikemi och nominell spänning.
Åtgärd för konfigurationsknapp	Ingen åtgärd: WiFi är alltid på och redo för konfiguration; WiFi-ström: knapptryckning aktiverar eller inaktiverar WiFi. När den är aktiverad blir den automatiskt i konfigurationsläge; WiFi-konfiguration: WiFi är aktiverat hela tiden, med tryckknappen SMARTSHUNT går in i, eller avslutar, konfigurationsläge;
SoC låg gräns (%)	0, 5, 10, 15, 20, 25, 30, 35, 40, 45, 50, 55, 60

Table 75: Shunt parameters

Parametrar för varningar:

Parametervärden i den här menyn kan väljas fritt av användaren. När mätningarna ligger utanför begränsade värden skickas varningsmeddelandet till NMEA2000 nätverket och visas på skärmen på Exxx enheten. Lista över tillgängliga varningar skrivs nedan:

Parameter för varning	Alternativ
Låg spänning	Varning visas när spänningen på batteriet kommer att vara nedan valt värde
Högspänning	Varning visas när spänningen på batteriet kommer att vara över det valda värdet
Hög laddningsström	Ställ in maximal laddningsström
Hög urladdningsström	Ställ in övre gräns för ström som kan dras av enheter
Låg temperatur	Ställ in låg temperaturgräns för varning
Hög temperatur	Ställ in hög temperaturgräns för varning
Låg laddningsstatus	Ställ in när batteriets återstående kapacitet ska aviseras

Tabell 77: Larmparameter



Tryck på " SPARA " för att behålla dina inställningar.

6 Konfigurera via WIFI

SMARTSHUNT har integrerad WIFI hot spot som du kan ansluta till med smartphone eller någon annan enhet som tillåter surfning. Den kan automatiskt anslutas med skanning QR-kod nedan serienummer. Du kan få ett meddelande från systemet, att det kanske inte finns tillgänglig internetuppkoppling men bara helt enkelt köra din webbläsare och skriva in config.lxnav.com. Genom att trycka på enter visas konfigurationssidan. Innan du ändrar någon parameter bör användaren sätta SMARTSHUNT i konfigurationsläge. Det betyder att violett statuslampa måste lysa. I något annat läge sparas inte inställningarna. För att aktivera WIFI eller sätta den i konfigurationsläge, tryck på Config-knappen i mer än en sekund.

Konfigurationssidan som visas består av fyra sidor som enkelt kan väljas ovanpå skärmen: Hem, Batterikonfiguration, Shuntkonfiguration och Info-sida.

6.1 Hemsida

På hemsidan kan användaren se alla aktuella data om systemet i realtid som är resultatet av valda värden på konfigurationssidor, till exempel spänningar, temperaturer, dragen ström, laddningsstatus etc. samt toppregistrerade värden och historik över larmmeddelanden.

6.2 Batteriets konfiguration

På den här sidan konfigurerar användaren batteritypen med alla nödvändiga data som är obligatoriska för korrekta beräkningar av batteriets tillstånd och hälsa.



Vänligen kom inte åt webbläsaren via QR-kod för konfiguration, eftersom webbläsaren inte stöder popup-fönster och det inte går att spara konfigurationen.

Det enda sättet är att öppna webbläsaren och besöka config.lxnav.com. Sedan kan du ändra och spara konfigurationsinställningar.

6.2.1 Shunt configuration page

Alla nödvändiga uppgifter relaterade till aktuella mätningar ska fyllas i på denna sida. Det finns också knappinställning för önskad WIFI-åtgärd.

1. Info sida

På den här sidan finns all information om enheten. Dess serienummer, hårdvaru- och mjukvaruversion.

6.3 Konfiguration via LXNAV Exxx device

Det andra alternativet för konfiguration av SMARTSHUNT är via valfri Exxx-enhet. Förutsatt att NMEA2000 nätverket är etablerat är konfigurationssidor för batteri och shunt tillgängliga under olika sökvägar under inställningsmenyer. I följande två kapitel skrivs sökvägar där menyer kan hittas och deras förhandsgranskningar av fönster. För användning och kalibrering av externa enheter på Exxx-enheter, se även Exxx användarhandbok.

6.3.1 Battery setup

Parametrar relaterade till batteripaket bör ställas in i menyn som är tillgänglig under denna sökväg:
Inställningar->Nätverk->Enhetskalibrering->Batteri

6.3.2 Shunt setup

Andra konfigurationsmenyer finns under:
Inställningar->Nätverk->Anslutna enheter->Enhetsinformation->Enhetskonfiguration

Parametrar där avser mätningar mellan shuntens terminaler. Det finns också information om WiFi-hotspot-namn och lösenord under vilket SMARTSHUNT är tillgängligt.

Inuti shuntinställningen finns undermenyn **Varningskonfiguration** med användarvalbara parametergränser för varningsmeddelanden. Det finns totalt sju varningar tillgängliga.

7 Första operationen

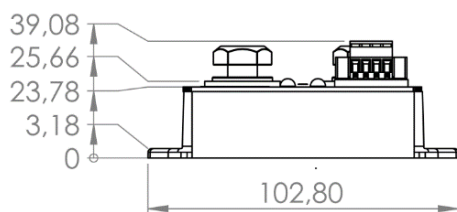
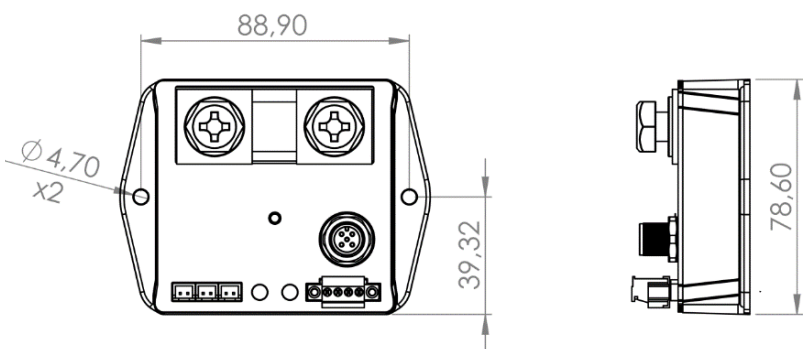
SmartShunt börjar fungera normalt och indikerar verkliga värden efter den inledande cykeln. Startcykeln är klar när första gången är uppfyllda villkor för fullt batteri (spänningen måste vara högre än spänningsinställningen för full och laddningsströmmen måste sjunka under full ströminställning)

För att få riktigt bra prestanda behöver smart shunt fler laddnings- / urladdningscykler för att ställa in även andra parametrar som laddningseffektivitet...

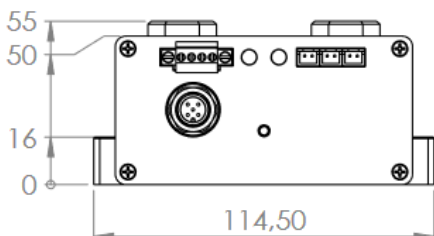
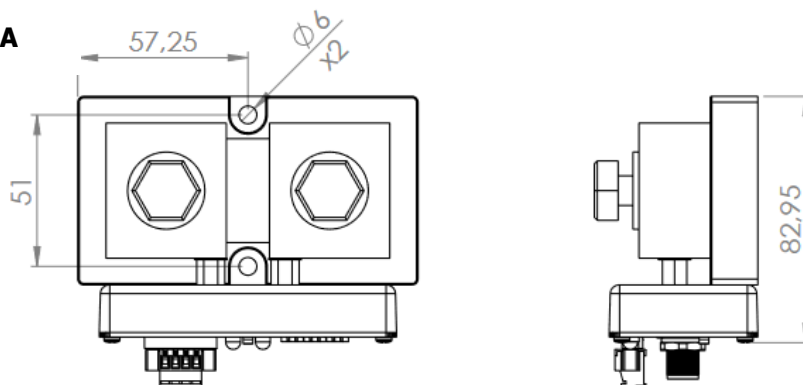
8 Mått

Version :

- 100A
- 300A
- 500A



Version : 1000A



Drawing is not to scale

9 Ledningsdragning

Figur nedan visar exempel på ledningar med kombination av tre batteripaket. Om användaren har mindre batterier, lämna dedikerade terminaler tomma.

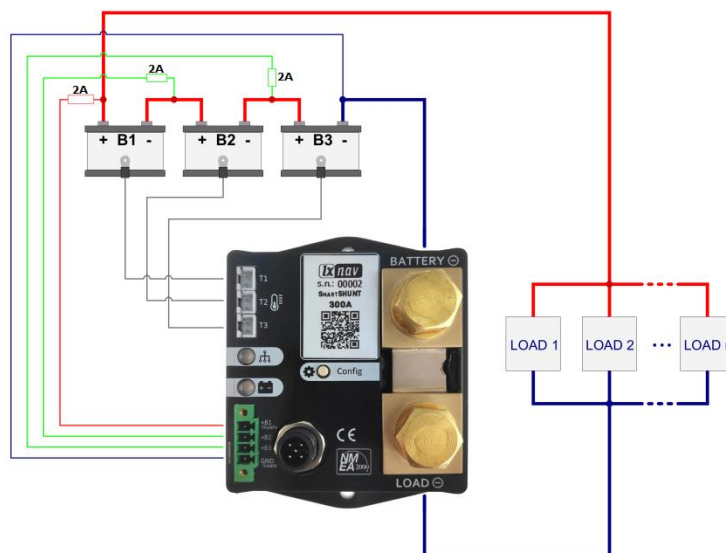


Figure 60: Batterier i serie

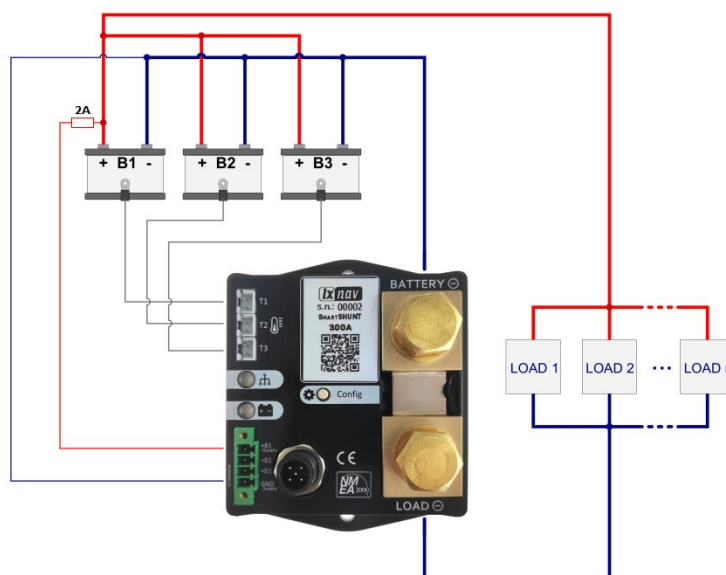


Figure 61: Batterier parallellt

1 Viktige merknader

Informasjonen i dette dokumentet kan endres uten varsel. LXNAV forbeholder seg retten til å endre eller forbedre sine produkter og å gjøre endringer i innholdet i dette materialet uten forpliktelse til å varsle noen person eller organisasjon om slike endringer eller forbedringer.

1.1 Begrenset garanti

Dette digitale batteriovervåkingsenhetsproduktet garanteres å være fri for defekter i materialer eller utførelse i to år fra kjøpsdatoen. Innenfor denne perioden vil LXNAV, etter eget valg, reparere eller erstatte komponenter som svikter ved normal bruk. Slike reparasjoner eller utskiftninger vil bli gjort uten kostnad for kunden for deler og arbeid, forutsatt at kunden betaler for fraktkostnader. Denne garantien dekker ikke feil på grunn av misbruk, misbruk, ulykke eller uautoriserte endringer eller reparasjoner.

GARANTIENE OG RETTSMIDLENE I DETTE DOKUMENTET ER EKSKLUSIVE OG I STEDET FOR ALLE ANDRE GARANTIER, UTTRYKT ELLER UNDERFORSTÅTT ELLER LOVBESTEMT, INKLUDERT ETHVERT ANSVAR SOM OPPSTÅR UNDER ENHVER GARANTI FOR SALGBARHET ELLER EGNETHET FOR ET BESTEMT FORMÅL, LOVBESTEMT ELLER PÅ ANNEN MÅTE. DENNE GARANTIEN GIR DEG SPESIFIKKE JURIDISKE RETTIGHETER, SOM KAN VARIERE FRA STAT TIL STAT.

UNDER INGEN OMSTENDIGHETER SKAL LXNAV VÆRE ANSVARLIG FOR TILFELDIGE, SPESIELLE, INDIREKTE ELLER FØLGESKADER, ENTEN SOM FØLGE AV BRUK, MISBRUK ELLER MANGLENDE EVNE TIL Å BRUKE DETTE PRODUKTET ELLER FRA MANGLER I PRODUKTET.

Noen stater tillater ikke utelukkelse av tilfeldige skader eller følgeskader, så begrensningene ovenfor gjelder kanskje ikke for deg. LXNAV forbeholder seg eksklusiv rett til å reparere eller erstatte enheten eller programvaren, eller å tilby full refusjon av kjøpesummen, etter eget skjønn. SLIK BEFØYELSE SKAL VÆRE DITT ENESTE OG EKSKLUSIVE RETTSMIDDEL FOR ETHVERT BRUDD PÅ GARANTIEN.

For å få garantiservice, kontakt din lokale LXNAV-forhandler eller kontakt LXNAV direkte.

2 Sikkerhet

2.1 Symboler for advarselsangivelser

Følgende advarselsanvisninger brukes i denne håndboken i forbindelse med sikkerhet.



Notater med rød trekant indikerer at det foreligger stor potensiell fare som kan føre til alvorlig personskade eller død. Den beskriver også prosedyrer som er kritiske og kan føre til tap av data eller andre kritiske situasjoner.



En gul trekant vises for deler av håndboken som bør leses svært nøye og er viktig når du bruker E500/E700/E900.



Et pæreikon vises når et nyttig hint blir gitt til leseren.

Gi sikkerhetsinstruksjonene videre til andre brukere.

Generelle regler og lover om sikkerhet og ulykkesforebygging må alltid overholdes.

3 Generell informasjon **To driftsmoduser**

LXNAV SMARTSHUNT er en smart batteriovervåkingsenhet som er kompatibel med NMEA2000 nettverksstandard. Den måler nøyaktig likespenninger for opptil tre batterier i serie og inkluderer shunt for strømmålinger. Den estimerer ladetilstand, helsetilstand og gjenværende tid til tomt batteri. Opptil tre temperaturer kan måles. Den støtter flere typer batterier og kan konfigureres gjennom en hvilken som helst LXNAV Exxx-enhet eller via nettside tilgjengelig via intern Wi-Fi-hotspot. Parametere som er satt der er tilgjengelige på NMEA2000-nettverket til alle enheter som LXNAVs E350, E500 osv. LXNAV SMARTSHUNT er tilgjengelig i fire versjoner med 100, 300, 500 og 1000A shunt. Alle er 25 mV. Les de neste kapitlene nøye for riktig installasjon.

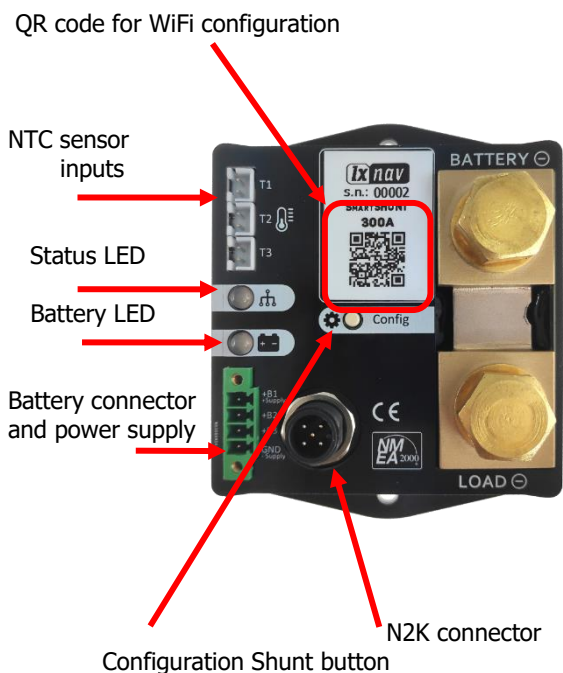


Figure 62: SMARTSHUNT - top view

SmartSHUNT fungerer i 2 moduser:

1. LOW POWER MODE

For å forbruke så lite energi som mulig, går SmartSHUNT i " Lavstrømsmodus " når følgende betingelser er oppfylt:

- ✓ NMEA2000 tilkoblingen er frakoblet
- ✓ Ingen belastning tilkoblet
- ✓ Laderen er ikke tilkoblet
- ✓ SOC er gyldig



SmartSHUNT våkner med jevne mellomrom (8s) fra lavstrømsmodus for å kontrollere forholdene mellom LOW POWER MODE / NORMAL POWER MODE-drift. I denne modusen måler shunten om betingelsene ovenfor (lavstrømsmodus) fortsatt er oppfylt. I så fall fortsetter enheten å kjøre i lavstrømsmodus, ellers bytter den til normal drift.



Brukeren kan tvinge SHUNT til å gå inn i normal driftsmodus ved å trykke på knappen på enheten i 8 sekunder (for hele hvileperioden). Den vil forbli i normal drift i 10 minutter. Hvis forholdene for å gå inn i lavstrømsmodus er oppfylt etter 10 minutter, vil shunt gå inn igjen i lavstrømsmodus.

Hver 2. time går SmartSHUNT til normal drift i 2 minutter, selv når alle ovennevnte betingelser er oppfylt for å beregne algoritmen en gang i blant.

2. NORMAL POWER MODE

I normal strømmodus er SmartSHUNT synlig på det NMEA2000 nettverket, lysdiodene indikerer SHUNT-status (se avsnitt 4.4) og Wi-Fi for konfigurasjon og overvåking av batteriet.



4 Installasjon

4.1 Montering anbefaling

SMARTSHUNT har flat bunn og bør monteres med to skruer til solid overflate ved siden av batteripakker for å minimere ledningslengde fra batteripoler til kontakt på SMARTSHUNT. Med dette minimeres målefeil til et minimum.

Ikke arbeid på det elektriske systemet mens det er strømforsynt.

Ikke installer SmartSHUNT i nærheten av brennbare stoffer.

Ikke plasser SmartSHUNT i våte, fuktige eller høye temperaturrom.

Uautoriserte modifikasjoner utelukker produsentens ansvar for eventuelle resulterende skader.

Ikke bland batterier av forskjellige merker, spenninger eller kapasiteter.



4.2 NMEA2000 Spesifikasjoner

Parameter	Beskrivelse
Forenlighet	NMEA2000-kompatibel
Bithastighet	250 kbps
Forbindelse	En kodet M12-kontakt

Table 78: NMEA2000 specifications

4.3 Connectors

Strømforsyning og batteriinnganger B1-B3

LXNAV SMARTSHUNT drives av en 4-pinners terminalkontakt som den også måler spenninger på opptil tre batterier fra. Maksimal tillatt spenning på hver +Bx-terminal er 65 V. Når du installerer, prøv å gi mening ledninger så korte som mulig og hold dem borte fra høye strømkilder som kabler, elektriske motorer etc.



Figure 63: Battery terminals

Pin-navn	Beskrivelse
+B1 (+Forsyning)	Strømforsyning for enhet og måleport for første batteri
+B2	Måleklemme for ekstra batteri
+B3	Måleklemme for tredje batteri
GND (- forsyning)	Felles bakketerminal for alle tre batteriene, også for strøm Tilførsel

Table 79: Pinout for batterikontakt

4.3.1 Eksterne temperatursensorinnganger

Hver eksterne NTC 10 kΩ temperatursensor leveres med SMARTSHUNT for ytterligere informasjon om batteristatus. Med den kan vi beregne enda mer presis kapasitet på batteriet som endres med temperaturen. Dessuten avhenger levetiden til batteriet også av temperaturen i miljøet, hvor batteriet er lagret. Sensoren leveres på en 1 m lang kabel som passer i to pinnekontakter merket fra T1 til T3. På den andre siden av kabelen er ringlugklemme med montering av hele diameteren på 3,7 mm. Når du installerer systemet, må du huske at hvert sensornummer refererer til samme batterinumner. For eksempel er sensor T1 for batteripakke B1, T2 for B2 og T3 for B3.



Figure 64: NTC sensors inputs T1-T3

4.3.2 Shunt

SMARTSHUNT er en strømsensor på lav side, og den må plasseres mellom last og jord. Koble terminalen merket **BATTERI** - til batterijord og **LOAD** - til jord fra systembelastning. Avhengig av strømbehov, bruk passende tverrsnitt av kabler og skru dem med passende ringsko, som er compatible med shuntens boltgjengestørrelse på M10. Stram shuntbolten med et maksimalt dreiemoment på 21Nm.

Cont.Current	Area
1000A	2x 220mm ²
500A	220mm ²
400A	150mm ²
300A	95mm ²
200A	50mm ²
100A	25mm ²

Table 80: Table 81: Cable cross sectional area

4.3.3 NMEA2000-kompatibel M12-kontakt

M12 5-pinner A-kodet kontakt på toppen av enheten er kompatibel med NMEA2000 og har standard pinout. Når du installerer, følger du anbefalingene for NMEA2000 nettverkskabling. Bruk alltid gratis Tee-kontakt på eksisterende nettverk. Forsikre deg om at kontaktene er strammet ordentlig sammen for å forsegle metallkontakter inni og forhindre oksidering.



Figure 65: M12 N2K connector on SMARTSHUNT

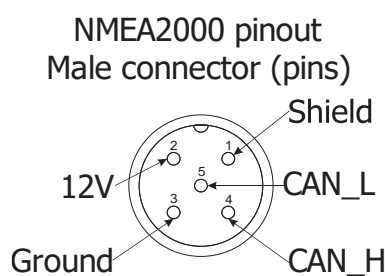


Figure 66: NMEA2000 M12 Male connector pinout (view from unit side)

4.4 LED Indications

SMARTSHUNT-enheten har to RGB-lysdioder på oversiden for rask statusindikasjon. En for generell status for enheten, mens den andre er for indikasjon på batteriets ladetilstand. Alle mulige moduser er beskrevet i tabellene nedenfor:

- Status LED:

Farge	Beskrivelse
Blinkende blå LED med 1 Hz	Fungerende CAN-nettverk
Blinkende blå LED med 10 Hz	Initialisering av WIFI-nettverk
Solid blå LED	WIFI initialisert, konfigurasjon deaktivert
Solid fiolett LED	WIFI initialisert, konfigurasjon aktivert
LED-lampen blinker rødt	Maskinvarefeil

Table 82: Status LED-fargebeskrivelse

- Batteri LED:

Farge	Beskrivelse
LED-lampen blinker rødt 1 Hz	SMARTSHUNT er ikke konfigurert
LED-lampen lyser konstant rødt	Statlig avgift <30 %
Solid gul LED	Statlig avgift <50 %
Solid grønn LED	Gebyrstat >50 %

Table 83: Batteri LED fargebeskrivelse

5 Konfigurere SMARTSHUNT

For riktig drift må SMARTSHUNT konfigureres før bruk. Konfigurasjon kan utføres via WiFi-tilkobling eller NMEA2000-nettverk med en av LXNAV-enhetene. Det er flere parametere som enten skal velges fra tilgjengelige alternativer eller skrives av brukeren.

Å velge riktige parametere er avgjørende for riktige beregninger og visning av advarsler.

Batteri parameter	Alternativer
Banktype	Hovedbatteri, primærbatteri, sekundærbatteri, hjelpebatteri, portbatteri, styrbord batteri, baugbatteri, akterbatteri, solcellebatteri, startbatteri, batteribank 1, batteribank 2 og "annet" batteri
Kjemi type	Blysyre, Li-ion, Ni-Cad, Zn-O, Ni-MH
Batteritype	Oversvømmet, GEL, AGM
Nominell spenning	6 V, 12 V, 24 V, 32 V, 36 V, 42 V, 48 V
Nominell kapasitet	Skal stilles inn av brukeren i henhold til batterikapasitet
Temperatur	Celsius, Fahrenheit, Kelvin

Table 85: Batteri parametere

Shunt-parameter	Alternativer
Peukert eksponent	Avhengighet mellom batterikapasitet og utladningshastighet. Gyldige verdier 1,0 ~ 1,5 Startverdien settes automatisk basert på batterikjemi.
Ladeeffektivitet	Laderens effektivitet. Gyldige verdier 0,6 ~ 1,0 Verdien endres kontinuerlig i løpet av batteriets levetid.
Temperaturkoeffisient	Avhengighet mellom batterikapasitet og omgivelsestemperatur. Gyldige verdier 0,0 ~ 1,0
Spenning ved fullt batteri (V)	Laderens flytespenning. Startverdien settes automatisk basert på batterikjemi og nominell spenning.
Strøm ved fullt batteri (A)	Laderens flytestrøm. Startverdien angis automatisk basert på batterikjemi og nominell kapasitet.
Spenning ved tomt batteri (V)	Tomspenning for batteri. Startverdien settes automatisk basert på batterikjemi og nominell spenning.
Handlingen Config-knappen	Ingen handling: Wi-Fi er alltid på og klar for konfigurasjon; WiFi-strøm: knappetrykk aktiverer eller deaktiverer WiFi. Når den er aktivert, blir den automatisk i konfigurasjonsmodus; WiFi-konfigurasjon: WiFi er aktivert hele tiden, med å trykke på knappen SMARTSHUNT går inn i, eller avslutter, konfigurasjonsmodus;
SoC lav grense (%)	0, 5, 10, 15, 20, 25, 30, 35, 40, 45, 50, 55, 60

Table 84: Shunt parameters

Varslingsparametere:

Parameterverdier i denne menyen kan velges fritt av brukeren. Når målingene er utenfor begrensede verdier, vil advarselmelding bli sendt til NMEA2000-nettverket og vist på skjermen til Exxx-enheten. Liste over tilgjengelige varsler er skrevet nedenfor:

Parameter for varsel	Alternativer
Lav spenning	Varsel vises når spenningen på batteriet vil være nedenfor valgt verdi
Høyspenning	Varsel vil dukke opp når spenningen på batteriet vil være over valgt verdi
Høy ladestrøm	Still inn maksimal ladestrøm
Høy utladningsstrøm	Angi øvre grense for strøm som kan trekkes av enheter
Lav temperatur	Angi lav temperaturgrense for varsel
Høy temperatur	Angi høy temperaturgrense for varsling
Lav ladetilstand	Angi når gjenværende batterikapasitet skal varsles

Table 86: Alarm parameter



Trykk "LAGRE" for å beholde innstillingene.

6 Konfigurere via WIFI

SMARTSHUNT har integrert WIFI-hotspot som du kan koble til med smarttelefon eller annen enhet som tillater nettleasing. Den kan kobles automatisk til med skanning av QR-kode nedenfor serienummer. Du kan få en melding fra systemet, at det kanskje ikke er tilgjengelig internettforbindelse, men bare kjøre nettleseren din og skriv inn config.lxnav.com. Når du trykker enter, vises konfigurasjonssiden. Før du endrer noen parameter, bør brukeren sette SMARTSHUNT i config-modus. Det betyr at LED-lampen for fiolett status må lyse. I noen annen modus lagres ikke innstillingene. For å aktivere WIFI eller sette den i konfigurasjonsmodus, trykk på Config-knappen i mer enn et sekund.

Konfigurasjon nettside som vil dukke opp består av fire sider lett valgbar på toppen av skjermen: Hjem, Battery config, Shunt config og Info side.

6.1.1 Homepage

På hjemmesiden kan brukeren se alle aktuelle data for systemet i sanntid som er et resultat av valgte verdier på konfigurasjonssider, for eksempel spenninger, temperaturer, nåværende trukket, ladetilstand etc. samt toppregistrerte verdier og historikk for alarmmeldinger.

6.1.2 Battery configuration

På denne siden konfigurerer brukeren batteritype med alle nødvendige data som er obligatoriske for riktige beregninger av batteritilstand og tilstand.



Vennligst ikke tilgang til nettleseren via QR-kode for konfigurasjon, fordi nettleseren ikke støtter popup-vinduer, og det vil ikke være mulig å lagre konfigurasjonen.

Den eneste måten er å åpne nettleseren og besøke config.lxnav.com. Deretter kan du endre og lagre konfigurasjonsinnstillinger.

6.1.3 Shunt configuration page

Alle nødvendige data relatert til gjeldende målinger skal fylles ut på denne siden. Det er også knappinnstilling for ønsket WIFI-handling.

6.1.4 Info side

På denne siden er all informasjon om enhet. Serienummeret, maskinvare- og programvareversjonen.

6.2 Konfigurasjon via LXNAV Exxx device

Andre alternativ for konfigurasjon av SMARTSHUNT er via en hvilken som helst Exxx-enhet. Forutsatt at NMEA2000-nettverket er etablert, er batteri- og shuntkonfigurasjonssider tilgjengelige under forskjellige baner under innstillingsmenyer. I de følgende to kapitlene er det skrevet stier hvor menyer kan bli funnet og deres vindu forhåndsvisninger. For drift og kalibrering av eksterne enheter på Exxx-enheter, se også Exxx brukerhåndbok.

6.2.1 Battery setup

Parametere relatert til batteripakker bør settes i menyen som er tilgjengelig under denne banen: *Innstillinger->Nettverk->Enhetskalibrering->Batteri*

6.2.2 Shunt setup

Andre konfigurasjonsmeny finner du under: *Innstillinger->Nettverk->Tilkoblede enheter->Enhetsdetaljer ->Enhetsoppsett*

Parametere der gjelder målinger mellom shuntens terminaler. Det er også informasjon om WIFI-hotspot navn og passord under hvilke er SMARTSHUNT tilgjengelig.

Inne shunt oppsett er undermenyen **Varsler konfigurasjon** med brukeren valgbara parametere grenser for advarsler. Det er totalt syv advarsler tilgjengelig.

7 Første operasjon

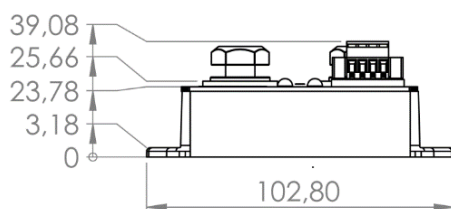
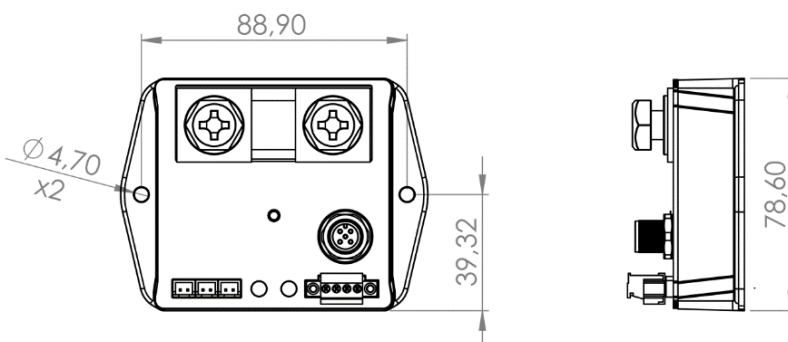
SmartShunt vil begynne å fungere normalt og indikere reelle verdier etter første syklus. Innledende syklus er ferdig, når første gang er oppfylt betingelser for batteriet fullt (Spenningen må være høyere enn spenningsinnstilling for full og ladestrømmen må falle under full strøminnstilling)

For å få virkelig god ytelse, vil smart shunt trenger mer ladning / utladning sykluser, for å justere også andre parametere som ladning effektivitet

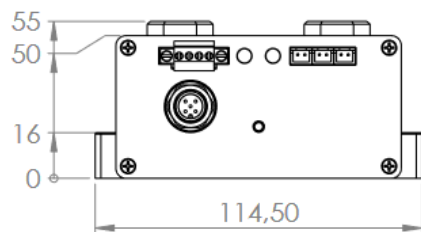
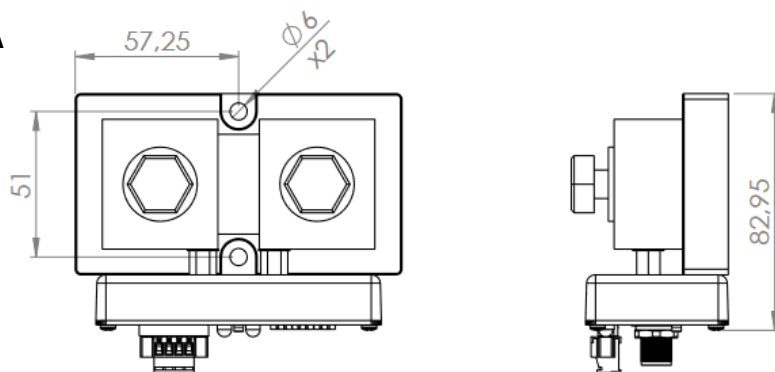
8 Dimensjoner

Version :

- 100A
- 300A
- 500A



Version : 1000A



Tegning er ikke å skalere

9 Ledningsnett

Figuren nedenfor viser eksempelledninger med kombinasjon av tre batteripakker. Hvis brukeren har færre batterier, la dedikerte terminaler stå tomme.

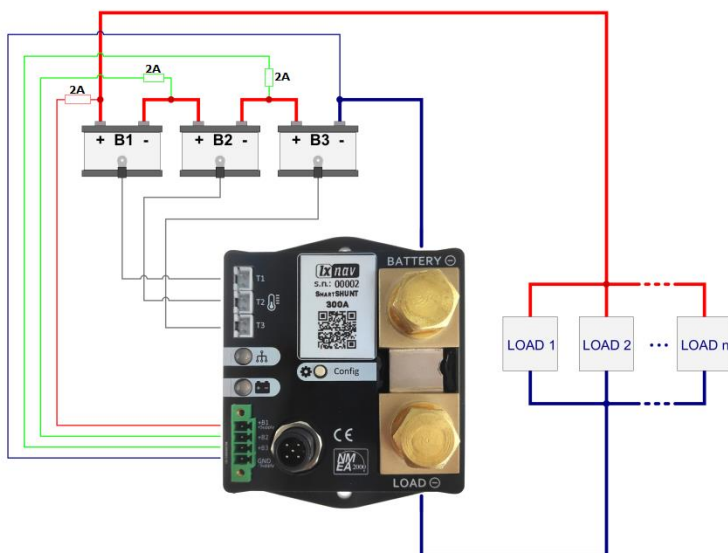


Figure 67: Batterier i serie

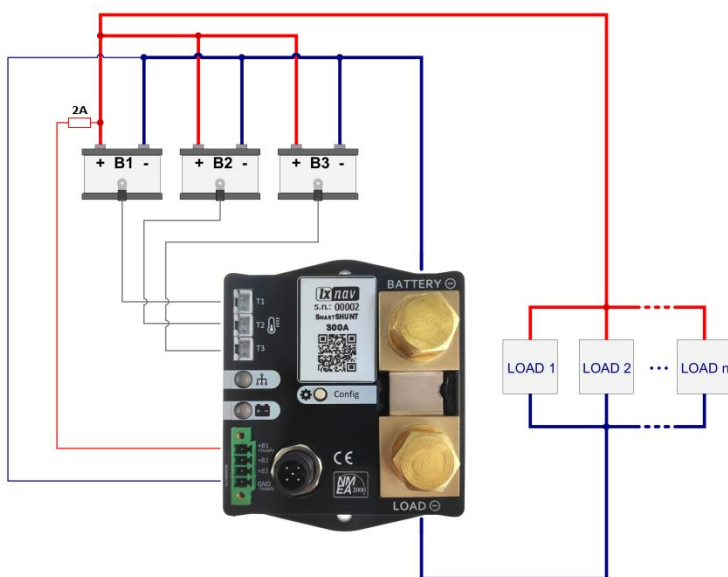


Figure 68: Batterier parallelt

1 Tärkeitä huomautuksia

Tämän tiedotteen sisältämiä tietoja voidaan muuttaa ilman erillistä ilmoitusta. LXNAV pidättää oikeuden muuttaa tai parantaa tuotteitaan ja tehdä muutoksia näiden materiaalien sisältöön ilman velvollisuutta ilmoittaa kenellekään henkilölle tai organisaatiolle tällaisista muutoksista tai parannuksista.

1.1 Rajoitettu takuu

Tällä digitaalisen akun valvontayksikön tuotteella on takuu materiaali- tai valmistusvirheistä kahden vuoden ajan ostopäivästä. Tämän ajanjakson aikana LXNAV korjaa tai vaihtaa oman harkintansa mukaan kaikki komponentit, jotka epäonnistuvat normaalisissa käytössä. Tällaiset korjaukset tai vaihdot tehdään asiakkaalle veloitusetta osista ja työstä edellyttäen, että asiakas maksaa toimituskulut. Tämä takuu ei kata vikoja, jotka johtuvat väärinkäytöstä, väärinkäytöstä, onnettomuudesta tai luvattomista muutoksista tai korjauksista.

TÄHÄN SISÄLTYVÄT TAKUUT JA OIKEUSSUOJAKEINOT OVAT YKSINOMAISIA JA KORVAAVAT KAIKKI MUUT NIMENOMAISET TAI OLETETUT TAI LAKISÄÄTEISET TAKUUT, MUKAAN LUKIEN VASTUUT, JOTKA JOHTUVAT MYYNTIKELPOISUUTTA TAI SOPIVUUTTA TIETTYYN TARKOITUKSEEN KOSKEVASTA TAKUUSTA, LAKISÄÄTEISESTÄ TAI MUUSTA. TÄMÄ TAKUU ANTAA SINULLE TIETTYJÄ LAILLISIA OIKEUKSIA, JOTKA VOIVAT VAIHDELLA OSAVALTIOITTAIN.

LXNAV EI OLE MISSÄÄN TAPAUKSESSA VASTUUSSA MISTÄÄN SATUNNAISISTA, ERITYISISTÄ, EPÄSUORISTA TAI VÄLILLISISTÄ VAHINGOISTA, RIIPPUMATTA SIITÄ, JOHTUVATKO NE TÄMÄN TUOTTEEN KÄYTÖSTÄ, VÄÄRINKÄYTÖSTÄ TAI KYVYTTÖMYYDESTÄ KÄYTTÄÄ TÄTÄ TUOTETTA TAI TUOTTEEN VIOISTA.

Jotkin osavaltiot eivät salli satunnaisten tai välillisten vahinkojen poissulkemista, joten yllä olevat rajoitukset eivät välttämättä koske sinua. LXNAV pidättää yksinoikeuden korjata tai vaihtaa laitteen tai ohjelmiston tai tarjota täyden hyvityksen ostohinnasta oman harkintansa mukaan. TÄLLAINEN KORVAUS ON AINOA JA YKSINOMAINEN OIKEUSSUOJAKEINOSI TAKUURIKKOMUSTEN VARALTA.

Saat takuuhuollon ottamalla yhteyttä paikalliseen LXNAV-jälleenmyyjään tai ottamalla yhteyttä suoraan LXNAV-jälleenmyyjään.

2 Turvallisuus

2.1 Varoitusmerkkien symbolit

Tässä oppaassa käytetään seuraavia varoitusohjeita turvallisuuden yhteydessä.



Punaisella kolmiolla varustetut muistiinpanot osoittavat, että on olemassa suuri mahdollinen vaara, joka voi johtaa vakavaan loukkaantumiseen tai kuolemaan. Siinä kuvataan myös menettelyt, jotka ovat kriittisiä ja voivat johtaa tietojen menetykseen tai muuhun kriittiseen tilanteeseen.



Keltainen kolmio näkyy ohjekirjan osissa, jotka on luettava erittäin huolellisesti ja jotka ovat tärkeitä E500/E700/E900: aa käytettäessä.



Polttimokuvake näytetään, kun lukijalle annetaan hyödyllinen vihje.

Välitä turvallisuusohjeet muille käyttäjille.

Turvallisuutta ja tapaturmien ehkäisyä koskevia yleisiä sääntöjä ja lakeja on aina noudatettava.

3 Yleistä tietoa

LXNAV SMARTSHUNT on älykäs akunvalvontayksikkö, joka on yhteensopiva NMEA2000-verkkostandardin kanssa. Se mittaa tarkasti jopa kolmen sarjaan kytketyn akun tasajännitteet ja sisältää shuntin virranmittauksia varten. Se arvioi lataustilan, terveydentilan ja jäljellä olevan ajan akun tyhjenemiseen. Jopa kolme lämpötilaa voidaan mitata. Se tukee useita akkutyyppejä, ja se voidaan määrittää minkä tahansa LXNAV Exxx -laitteen tai sisäisen Wi-Fi-hotspotin kautta avautuvan verkkosivun kautta. Siellä asetetut parametrit ovat saatavilla NMEA2000-verkossa mille tahansa laitteelle, kuten LXNAV:n E350, E500 jne. LXNAV SMARTSHUNT on saatavana neljä versiossa 100, 300, 500 ja 1000A A shuntilla. Kaikki ne ovat 25 mV. Oikean asennuksen varmistamiseksi lue seuraavat luvut huolellisesti.

QR code for WiFi configuration

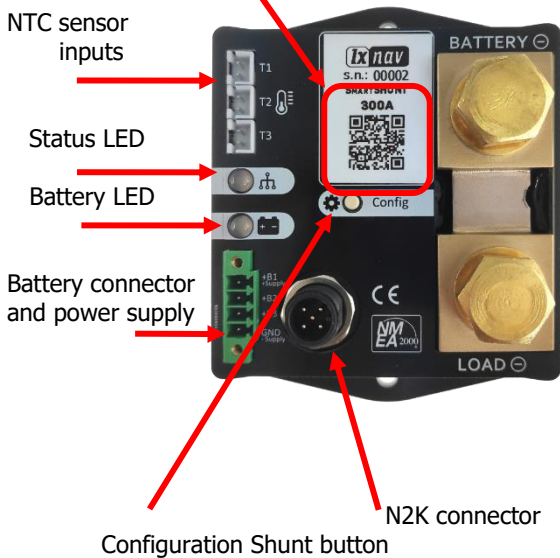


Figure 69: SMARTSHUNT - top view

Kaksi toimintatilaa

SmartSHUNT toimii 2 tilassa:

1. LOW POWER MODE

Jotta energiaa kuluisi mahdollisimman vähän, SmartSHUNT siirtyy virransäästötilaan, kun seuraavat ehdot täyttyvät:

- ✓ NMEA2000 yhteys on offline-tilassa
- ✓ Kuormaa ei ole kytketty
- ✓ Laturia ei ole kytketty
- ✓ SOC on voimassa



SmartSHUNT herää ajoittain (8 s) virransäästötilasta tarkistaakseen olosuhteet LOW POWER MODE / NORMAL POWER MODE -toiminnan välillä.

Tässä tilassa shuntti mittaa, täyttyvätkö yllä olevat ehdot (virransäästötila) edelleen. Jos näin on, laite toimii edelleen virransäästötilassa, muuten se siirtyy normaaliin toimintaan.



Käyttäjä voi pakottaa SHUNTin siirtymään normaaliin toimintatilaan painamalla laitteen painiketta 8 sekunnin ajan (koko lepotilan ajan). Se pysyy normaalikäytössä 10 minuuttia. Jos virransäästötilaan siirtymisen ehdot täyttyvät 10 minuutin kuluttua, shuntti siirtyy uudelleen virransäästötilaan.

SmartSHUNT siirtyy 2 tunnin välein normaaliin toimintaan 2 minuutiksi, vaikka kaikki yllä olevat ehdot täyttyvät, jotta algoritmi voidaan laskea uudelleen silloin tällöin.

2. NORMAL POWER MODE

Normaalissa virtatilassa SmartSHUNT näkyy NMEA2000 verkossa, LED-merkkivalot ilmaisevat SHUNT-tilan (katso kohta 4.4) ja Wi-Fi-yhteyden akun konfigurointia ja valvontaa varten.



4 Asennus

4.1.1 Asennussuositus

SMARTSHUNTilla on tasainen pohja, ja se tulee asentaa kahdella ruuvilla kiinteään pintaan akkuyksiköiden viereen, jotta johdon pituus akun napoista SMARTSHUNTin liittimeen minimoidaan. Tämän avulla mittausvirhe minimoidaan minimiin.

Älä työskentele sähköjärjestelmässä, kun se on jännitteinen.

Älä asenna SmartSHUNTia helposti syttyvien aineiden lähelle.

Älä sijoita SmartSHUNTia märkään, kosteaan tai korkean lämpötilan lokeroon.

Luvattomat muutokset sulkevat pois valmistajan vastuun aiheutuneista vahingoista.

Älä sekoita eri merkien, jännitteiden tai kapasiteettien paristoja.



4.2 NMEA2000: n tekniset tiedot

Parametri	Kuvaus:
Yhteensopivuus	NMEA2000-yhteensopiva
Bittinopeus	250 kbps
Yhteys	Koodattu M12-liitin

Table 87: NMEA2000 specifications

4.3 Liittimet

Virtalähde ja akkutulot B1-B3

LXNAV SMARTSHUNT saa virtansa 4-nastaisesta liittimestä, josta se mittaa myös jopa kolmen akun jännitteitä. Suurin sallittu jännite kussakin +Bx-liittimessä on 65 V. Kun asennat, yritä tehdä järkevistä johdoista mahdollisimman lyhyitä ja pidä ne poissa suurista virtalähteistä, kuten kaapeleista, sähkömoottoreista jne.



Figure 70: Akun navat

Pin-lisäyksen nimi	Kuvaus:
+B1 (+Tarjonta)	Laitteen virtalähde ja ensimmäisen akun mittausportti
+B2	Toisen akun mittausnapa
+B3	Mittausnapa kolmannelle akulle
GND (-tarjonta)	Yhteinen maadoitusliitin kaikille kolmelle akulle, myös virralle Tarjonta

Table 88: Akun liittimen pinout

4.3.1 Ulkoiset lämpötila-anturin tulot

Jokainen ulkoinen NTC 10 kΩ lämpötila-anturi toimitetaan SMARTSHUNTilla, joka antaa lisätietoja akun tilasta. Sen avulla voimme laskea entistä tarkemman akun kapasiteetin, joka muuttuu lämpötilan mukaan. Tämän lisäksi akun käyttöikä riippuu myös ympäristön lämpötilasta, jossa akku säilytetään. Anturi toimitetaan 1 m pitkällä kaapelilla, joka sopii kahteen nastaliittimeen, jotka on merkitty T1: stä T3: een. Kaapelin toisella puolella on rengaskorvakeliitin, jonka asennuksen kokonaishalkaisija on 3,7 mm. Kun asennat järjestelmää, muista, että jokainen anturinumero viittaa samaan akun numeroon. Esimerkiksi anturi T1 on akulle B1, T2 B2: lle ja T3 B3: lle.



Figure 71: NTC sensors inputs T1-T3

4.3.2 Shunt

SMARTSHUNT on matalan puolen virran tunnistuslaite ja se on sijoitettava kuorman ja maan väliin. Kytke liitin, jossa on merkintä **BATTERY** - akun maahan ja **LOAD** - maahan järjestelmän kuormituksesta. Riippuen tehotarpeesta käytä sopivia poikkileikkauksia kaapeleita ja ruuvaa ne sopivilla rengaskorvakkeilla, jotka ovat yhteensopivia shuntin pultin kierrekoon M10 kanssa. Kiristä shunttipultti maksimivääntömomentilla 21 Nm.

Cont.Current	Area
1000A	2x 220mm ²
500A	220mm ²
400A	150mm ²
300A	95mm ²
200A	50mm ²
100A	25mm ²

Table 89: Table 90: Cable cross sectional area

4.3.3 NMEA2000-yhteensopiva M12-liitin

M12 5-nastainen A-koodattu liitin laitteen päällä on yhteensopiva NMEA2000: n kanssa ja siinä on vakiopinout. Kun asennat, noudata NMEA2000-verkkojohdotuksen suosituksia. Käytä aina vapaata Tee-liitintä olemassa olevassa verkossa. Varmista, että liittimet on kiristetty kunnolla yhteen metallikoskettimien tiivistämiseksi sisälle ja hapettumisen estämiseksi.



Figure 72: M12 N2K connector on SMARTSHUNT

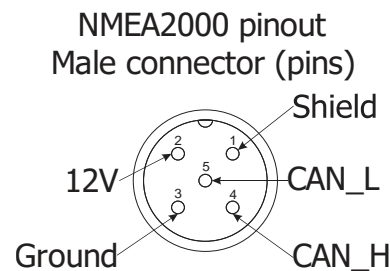


Figure 73: NMEA2000 M12 Male connector pinout (view from unit side)

4.4 LED-merkkivalot

SMARTSHUNT-laitteen yläosassa on kaksi RGB-LEDiä, jotka ilmaisevat tilan nopeasti. Toinen tarkoittaa yksikön yleistä tilaa, kun taas toinen on akun lataustilan ilmaisin. Kaikki mahdolliset tilat on kuvattu alla olevissa taulukoissa:

- Tilan merkkivalo:

Väri	Kuvaus: _____
Vilkkuva sininen LED, 1 Hz	Toimiva CAN-verkko
Vilkkuva sininen LED 10 Hz:llä	WIFI-verkon alustus
Tasainen sininen LED	WIFI alustettu, määrittäminen poistettu käytöstä
Tasainen violetti LED	WIFI alustettu, määrittäminen käytössä
Vilkkuva punainen LED	Laitteiston vika

Table 91: Tilan LED-värien kuvaus

- Akun LED:

Väri	Kuvaus: _____
Vilkkuva punainen LED 1 Hz	SMARTSHUNTia ei ole määritetty
Tasainen punainen LED	Maksuehto <30 %
Tasainen keltainen LED	Maksuehto <50 %
Tasainen vihreä LED	Maksuehto >50 %

Table 92: Akun LED-värien kuvaus

5 Määrittäminen SMARTSHUNT

Jotta SMARTSHUNT toimisi oikein, se on määritettävä ennen käyttöä. Konfigurointi voidaan suorittaa WiFi-yhteyden tai NMEA2000-verkon kautta yhdellä LXNAV-laitteesta.

On olemassa useita parametreja, jotka tulisi joko valita käytettävissä olevista vaihtoehdoista tai kirjoittaa käyttäjä.

Oikeiden parametrien valitseminen on ratkaisevan tärkeää oikeiden laskelmien ja varoitusten näyttämisen kannalta.

Akun parametri	Asetukset
Pankin tyyppi	Pääakku, ensisijainen akku, toissijainen akku, apuakku, porttiakku, oikeanpuoleinen akku, keula-akku, peräakku, aurinkoakku, käynnistysakku, akkupankki 1, akkupankki 2 ja "muu" akku
Kemian tyyppi	Lyijyhappo, Li-ioni, Ni-CAD, Zn-O, Ni-Mh
Akun tyyppi	Tulvinut, GEL, yhtiökokous
Nimellisjännite	6 V, 12 V, 24 V, 32 V, 36 V, 42 V, 48 V
Nimellinen kapasiteetti	Käyttäjän tulee asettaa akun kapasiteetin mukaan
Lämpötila	Celsius, Fahrenheit, Kelvin

Table 94: Akun parametrit

Shunt-parametri	Asetukset
Peukertin eksponentti	Akun kapasiteetin ja purkausnopeuden välinen riippuvuus. Kelvolliset arvot 1,0 ~ 1,5 Alkuarvo asetetaan automaattisesti akkukemian perusteella.
Latauksen tehokkuus	Laturin tehokkuus. Kelvolliset arvot 0,6 ~ 1,0 Arvoa muutetaan jatkuvasti akun käyttöä aikana.
Lämpötilakerroin	Akun kapasiteetin ja ympäristön lämpötilan välinen riippuvuus. Kelvolliset arvot 0,0 ~ 1,0
Jännite akun ollessa täynnä (V)	Laturin kelluva jännite. Alkuarvo asetetaan automaattisesti akun kemian ja nimellisjännitteen perusteella.
Virta akun ollessa täynnä (A)	Laturin kelluva virta. Alkuarvo asetetaan automaattisesti akun kemian ja nimelliskapasiteetin perusteella.
Jännite akun ollessa tyhjä (V)	Akun tyhjä jännite. Alkuarvo asetetaan automaattisesti akun kemian ja nimellisjännitteen perusteella.
Määritä-painikkeen toiminto	Ei toimia: WiFi on aina päällä ja valmis konfiguroitavaksi; WiFi-virta: painikkeen painallus ottaa WiFi:n käyttöön tai poistaa sen käytöstä. Kun se on käytössä, se siirtyy automaattisesti määrittystilaan; WiFi-määrittys: WiFi on käytössä koko ajan, painamalla painiketta SMARTSHUNT siirtyy määrittystilaan tai poistuu siitä;
SoC: n matala raja (%)	0, 5, 10, 15, 20, 25, 30, 35, 40, 45, 50, 55, 60

Table 93: Shunt parameters

Varoitusparametrit:

Käyttäjä voi vapaasti valita tämän valikon parametrit. Kun mittaukset ovat rajoitettujen arvojen ulkopuolella, varoitusviesti lähetetään NMEA2000-verkkoon ja näytetään Exxx-laitteen näytöllä. Luettelo käytettävissä olevista hälytyksistä on kirjoitettu alla:

Varoitus-parametri	Asetukset
Pienjännite	Hälytys tulee näkyviin, kun akun jännite on alle valitun arvon
Suurjännite	Hälytys tulee näkyviin, kun akun jännite ylittää valitun arvon
Suuri latausvirta	Aseta suurin latausvirta
Suuri purkausvirta	Aseta laitteiden ottaman virran yläraja
Matala lämpötila	Aseta matalan lämpötilan raja hälytykselle
Korkea lämpötila	Aseta hälytykselle korkea lämpötilaraja
Matala lataustila	Määritä, milloin akun jäljellä olevasta kapasiteetista ilmoitetaan

Table 95: Hälytyksen parametri



Paina "SAVE" säilyttääksesi asetuksesi.

6 Konfigurointi kautta WIFI

SMARTSHUNTissa on integroitu WIFI-hot spot, johon voit muodostaa yhteyden älypuhelimeen tai mihin tahansa muuhun laitteeseen, joka mahdollistaa verkkoselaamisen. Se voidaan yhdistää automaattisesti skannaamalla QR-koodi sarjanumeron alla. Saatat saada järjestelmästä viestin, että Internet-yhteyttä ei ehkä ole käytettävissä, vaan suorita vain verkkoselain ja kirjoita config.lxnav.com. Kun painat enter-näppäintä, määrittämssivu tulee näkyviin. Ennen minkään parametrin muuttamista käyttäjän tulee asettaa SMARTSHUNT määritystilaan. Tämä tarkoittaa, että violetin tilan LEDin on palattava. Missä tahansa muussa tilassa asetuksia ei tallenneta. Ota WIFI käyttöön tai aseta se määritystilaan painamalla Config-painiketta yli sekunnin ajan.

Näkyviin tuleva määrittämssivu koostuu neljästä sivusta, jotka ovat helposti valittavissa näytön yläosassa: Koti, Akun määrittäminen, Shunt-määrittäminen ja Tietosivu.

6.1.1 Homepage

Kotisivulla käyttäjä voi tarkastella reaaliajassa kaikkia järjestelmän nykyisiä tietoja, jotka ovat seurausta valituista arvoista konfigurointisivuilla, esimerkiksi jännitteet, lämpötilat, otettu virta, lataustila jne. sekä tallennetut huippuarvot ja hälytysviestien historia.

6.1.2 Battery konfiguraatio

Tällä sivulla käyttäjä määrittää akun tyyppin kaikilla tarvittavilla tiedoilla, jotka ovat pakollisia akun tilan ja kunnon laskemiseksi oikein.



Älä käytä selainta QR-koodin kautta määrittämystä varten, koska selain ei tue ponnahdusikkunoita ja kokoonpanon tallentaminen ei ole mahdollista.

Ainoa tapa on avata selain ja käydä config.lxnav.com. Sitten voit muuttaa ja tallentaa kokoonpanoasetuksia.

6.1.3 Shuntin määrittämssivu

Kaikki tarvittavat nykyisiin mittauksiin liittyvät tiedot tulee täyttää tällä sivulla. Siellä on myös painikeasetus halutulle WIFI-toiminnolle.

6.1.4 Info page

Tällä sivulla on kaikki tiedot laitteesta. Sen sarjanumero, laitteisto- ja ohjelmistoversio.

6.2 Konfigurointi kautta LXNAV Exxx device

Toinen vaihtoehto SMARTSHUNTin konfigurointiin on minkä tahansa Exxx-laitteen kautta. Olettaen, että NMEA2000-verkko on muodostettu, akun ja shuntin määrittämssivut ovat käytettävissä eri polkujen alla asetusvalikoissa. Seuraavassa kahdessa luvussa on kirjoitettu polkuja, joista valikot löytyvät, ja niiden ikkunoiden esikatselut. Katso Exxx-yksiköiden ulkoisten laitteiden käyttö ja kalibrointi myös Exxx-käyttöoppaasta.

6.2.1 Battery setup

Akkuihin liittyvät parametrit tulisi asettaa valikkoon, johon pääsee tällä polulla:
Asetukset->Verkko->Laitteen kalibrointi->Akku

6.2.2 Shunt setup

Toinen määrittämisvalikko löytyy kohdasta:
Asetukset->Verkko->Liitetyt laitteet->Laitteen tiedot->Laitteen asetukset

Siellä olevat parametrit liittyvät shuntin liittimien välisiin mittauksiin. Siellä on myös tietoja WiFi-hotspotin nimestä ja salasananasta, jonka alla SMARTSHUNT on käytettävissä.

Shuntiasetusten sisällä on alivalikko **Hälytysmäärittäykset** käyttäjän valittavissa olevilla parametreilla varoitusviestien rajoitukset. Varoituksia on yhteensä seitsemän.

7 Ensimmäinen operaatio

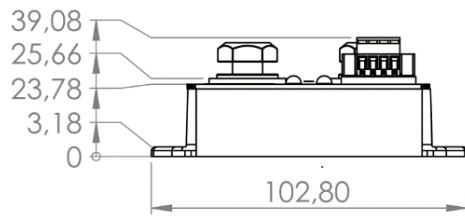
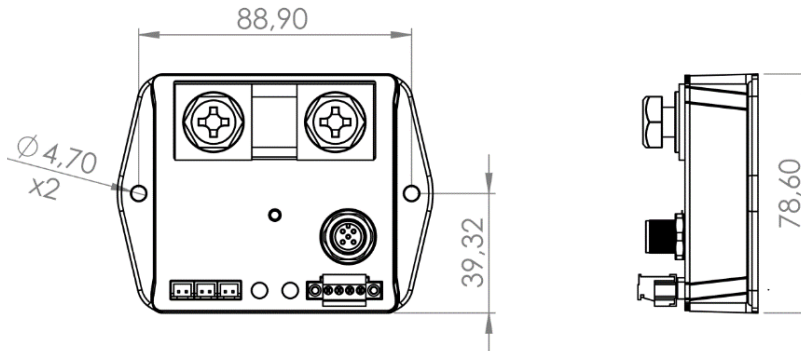
SmartShunt alkaa toimia normaalisti ja näyttää todelliset arvot ensimmäisen syklin jälkeen. Ensimmäinen sykli on valmis, kun ensimmäinen kerta täyttyy Akun täyttymisen ehdot täyttyvät (jännitteen on oltava suurempi kuin jänniteasetus täydelle ja latausvirran on laskettava alle täyden virran)

Todella hyvän suorituskyvyn saavuttamiseksi älykäs shuntti tarvitsee enemmän lataus- / purkausjaksoja, jotta voidaan virittää myös muita parametreja, kuten lataustehokkuutta....

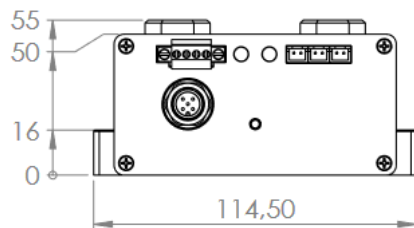
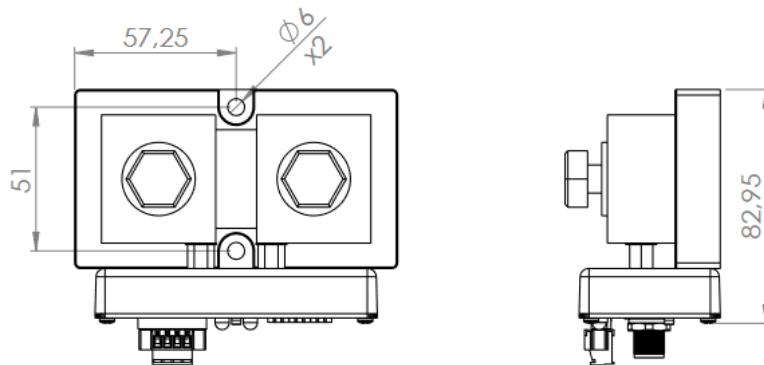
8 Mitat

Version :

- 100A
- 300A
- 500A



Version : 1000A



Drawing is not to scale

9 Johdotus

Kuvassa alla on esimerkki johdotuksesta kolmen akun yhdistelmällä. Jos käyttäjällä on vähemmän paristoja, jätä erilliset liittimet tyhjiksi.

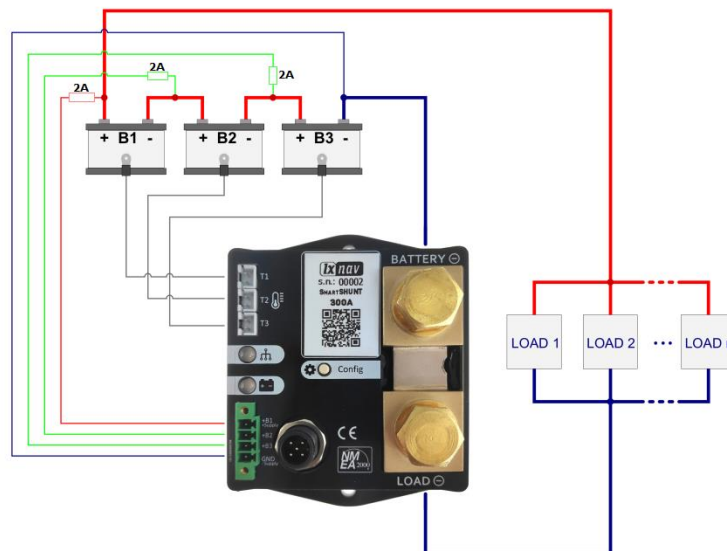


Figure 74: Paristot sarjassa

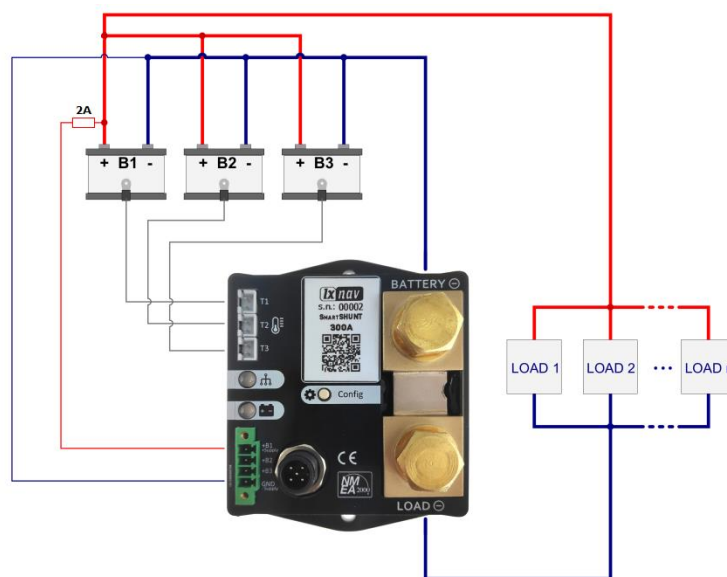


Figure 75: Paristot rinnakkain

Revision history

Date	Revision	Description
JUNE 2023	1	SmartSHUNT Safety updates
JULY 2023	2	SmartSHUNT 1000A integrated to the manual
SEPT 2023	3	Specifications two operation modes added