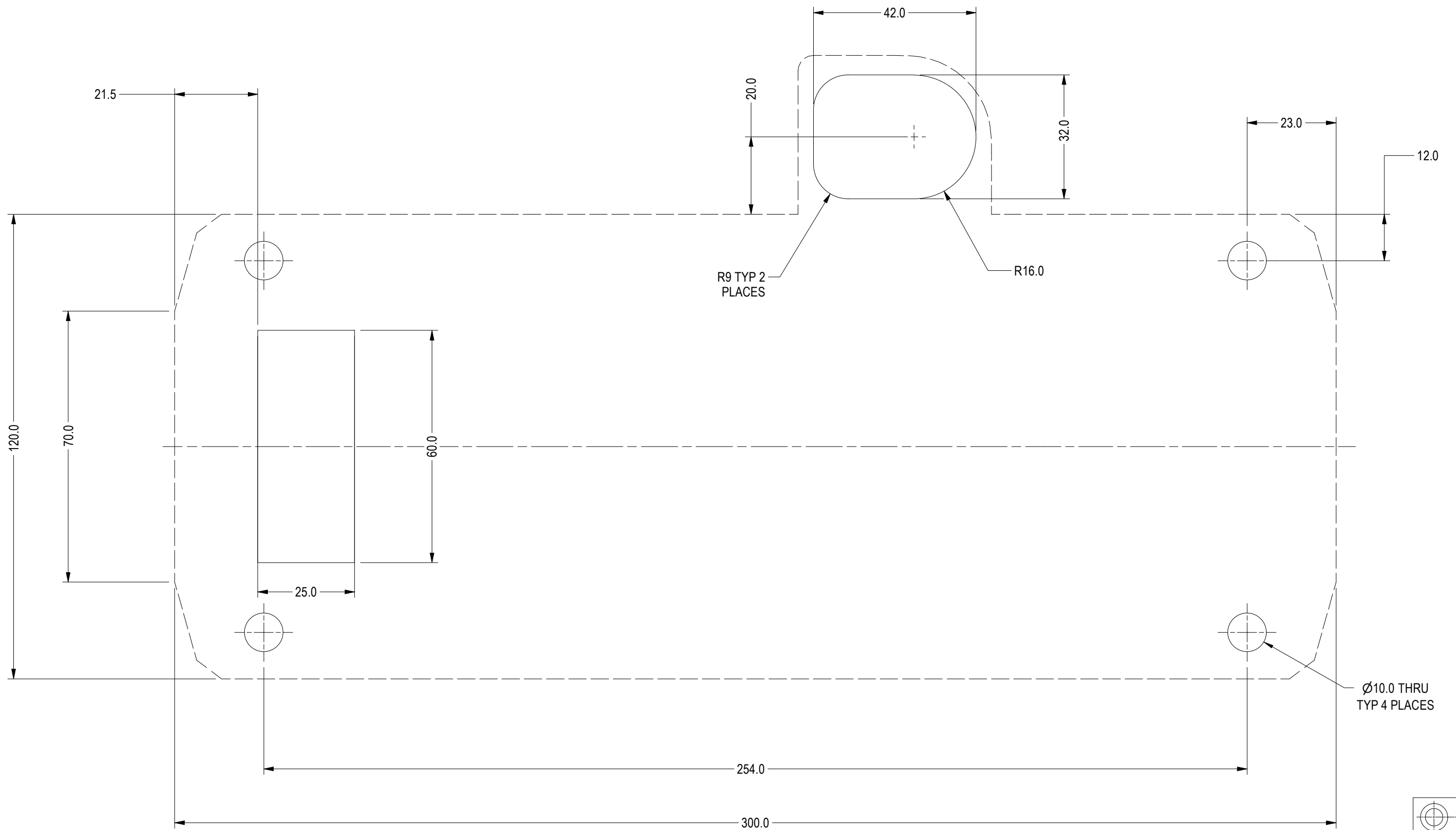



W:\Controlled Drawings\000 DECK TEMPLATES\HR HRC 650.idw



ISSUE	ECR#	DESCRIPTION	DATE	BY
00		INITIAL RELEASE	27/09/23	S.S
REVISION HISTORY				

<b>TOLERANCES (mm)</b> X ±0.5 X.X ±0.1 X.XX ±0.03 UNLESS OTHERWISE SPECIFIED		DIMENSIONS IN MILLIMETRES UNLESS OTHERWISE STATED. DO NOT SCALE DRAWING		 ENGINEERING GROUP PTY. LTD.
STOCK No.:		APPROVED <i>P.H.</i>		
MATERIAL:		CHECKED <i>P.H.</i>		DRG NO: HR/HRC 650 DRAWING ISSUE:
FINISH:		DRAWN BY: CE		PART NO: HR/HRC 650
WEIGHT:		Unless specifically stated otherwise, this drawing is the property of MUIR Engineering Group, and no feature embodied herein may be disclosed, except as previously authorised, in writing, by MUIR Engineering Group.		SCALE: NTS SHEET 1 OF 1 A3