



KEY FEATURES



4,500*
 Fixture Lumens

*White measurement of X16 Ultra White



60°
 Top Beam



60°
 Side Beam



Circular
 Beam Shape

**X4
 COLOUR
 PART#
 Bezel**



Ultra White
012301W (White Bezel)
012301W-BLK (Black Bezel)
012301W-SS (Stainless Bezel)



Midnight Blue
012302B (White Bezel)
012302B-BLK (Black Bezel)
012302B-SS (Stainless Bezel)



Colours DMX
012312C (White Bezel)
012312C-BLK (Black Bezel)
012312C-SS (Stainless Bezel)

**X8
 COLOUR
 PART#**



Ultra White
012304W (White Bezel)
012304W-BLK (Black Bezel)
012304W-SS (Stainless Bezel)



Midnight Blue
012305B (White Bezel)
012305B-BLK (Black Bezel)
012305B-SS (Stainless Bezel)



Colours DMX
012307C (White Bezel)
012307C-BLK (Black Bezel)
012307C-SS (Stainless Bezel)

**X16
 COLOUR
 PART#**



Ultra White
012308W (White Bezel)
012308W-BLK (Black Bezel)
012308W-SS (Stainless Bezel)



Midnight Blue
012309B (White Bezel)
012309B-BLK (Black Bezel)
012309B-SS (Stainless Bezel)



Colours DMX
012311C (White Bezel)
012311C-BLK (Black Bezel)
012311C-SS (Stainless Bezel)

X4 ULTRA WHITE / MIDNIGHT BLUE / DMX COLOURS

The X4 is a small but versatile bright light for a variety of uses and installation types.

X8 ULTRA WHITE / MIDNIGHT BLUE / DMX COLOURS

The X8 is an ideal choice for smaller boats that want a powerful single colour, or multi colour with intelligent control via DMX or DC switch.

X16 ULTRA WHITE / MIDNIGHT BLUE / DMX COLOURS

The X16 gives stunning “big yacht” performance both as a single colour light, or as multi colour with intelligent control via DMX or switch.

CHOICE OF BEZELS

Choose from either stainless steel, white or black polymer bezel for your boat.



ACTIVE THERMAL CONTROL

ATC prevents overheating, prolonging the life of the LEDs. In the event of overheating the ATC system will reduce the LED power level in order to protect the LEDs, or in extreme cases, turn off the fixture completely.

FISH-STROBE MODE

Exceptionally bright, randomised strobing of the light is proven to attract more fish and catch more bait.

ABOVE WATER MOUNTING

The X-Series can also be used as an exterior light for your cockpit, deck or trailer.

IP69k WATER INGRESS PROTECTION



The X-Series is rated at IP69k, the highest achievable rating of protection against water ingress. IP69k goes one step further than the industry standard IP68, giving you additional protection and piece of mind.

IN-WATER EXAMPLE PHOTOGRAPHY



PRODUCT GUIDE/installation

X-SERIES



X-SERIES CHOOSE YOUR LIGHT SETUP (White Bezel)

CHOOSE YOUR X SERIES MODEL

For stainless steel or black bezel options, see page 1.

X4

#012301W
(Ultra White)
• LED Light and Cable
• Fuse Kit
• Mounting Screws



X4

#012302B
(Midnight Blue)
• LED Light and Cable
• Fuse Kit
• Mounting Screws



X4

#012312C
(Colours DMX)
• LED Light and Cable
• Fuse Kit
• Mounting Screws



X8

#012304W
(Ultra White)
• LED Light and Cable
• Fuse Kit
• Mounting Screws



X8

#012305B
(Midnight Blue)
• LED Light and Cable
• Fuse Kit
• Mounting Screws



X8

#012307C
(Colours DMX)
• LED Light and Cable
• Fuse Kit
• Mounting Screws



X16

#012308W
(Ultra White)
• LED Light and Cable
• Fuse Kit
• Mounting Screws



X16

#012309B
(Midnight Blue)
• LED Light and Cable
• Fuse Kit
• Mounting Screws

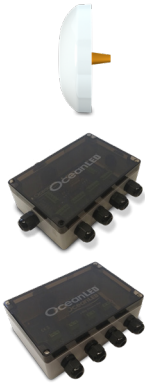


X16

#012311C
(Colours DMX)
• LED Light and Cable
• Fuse Kit
• Mounting Screws



CONNECT POWER & FUSE KIT



Fuse Kit
(Included with all models)

#011702
DMX Junction Box
(Required for 5+
DMX Controlled Lights)

#019901
4 Way V DC Power
Junction Box

CONTROL VIA SWITCH OR OCEANDMX KIT



X4/X8/X16 Single Colour
Models
3rd Party control via
power switch

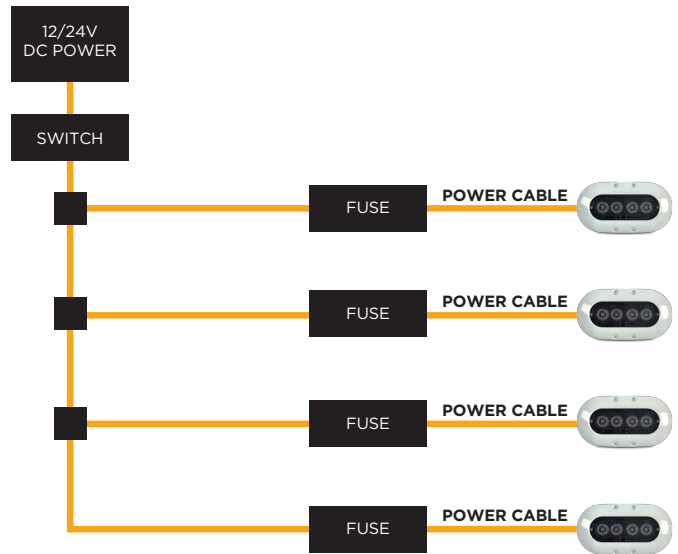


X4/X8/X16 Colours DMX
Models
3rd Party control via
power switch

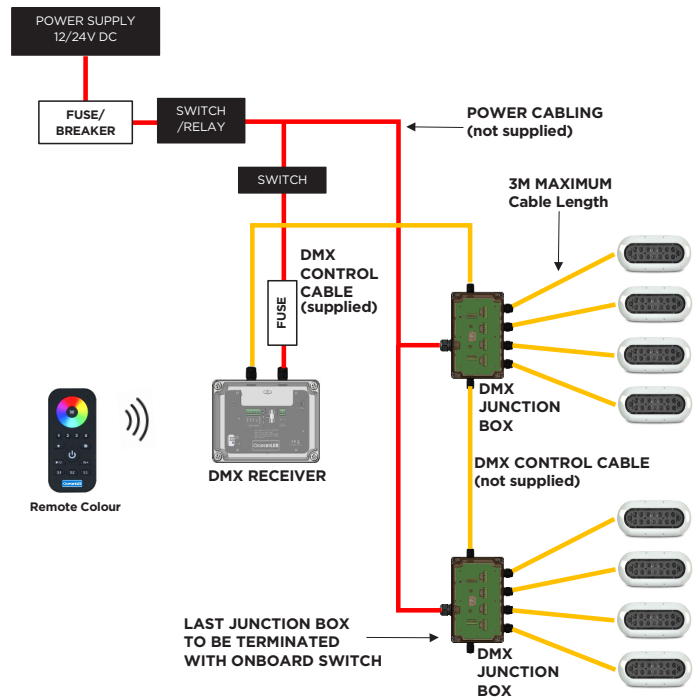


OceanDMX RC
See OceanDMX RC
Product Guide for more
information

CONTROL / WIRING SCHEMATIC

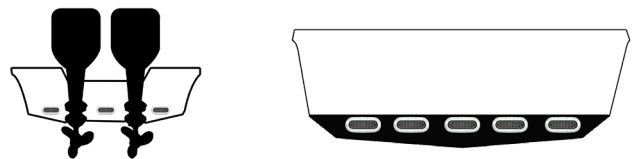


DMX COLOURS LIGHTING SETUP



TRANSOM PLACEMENT

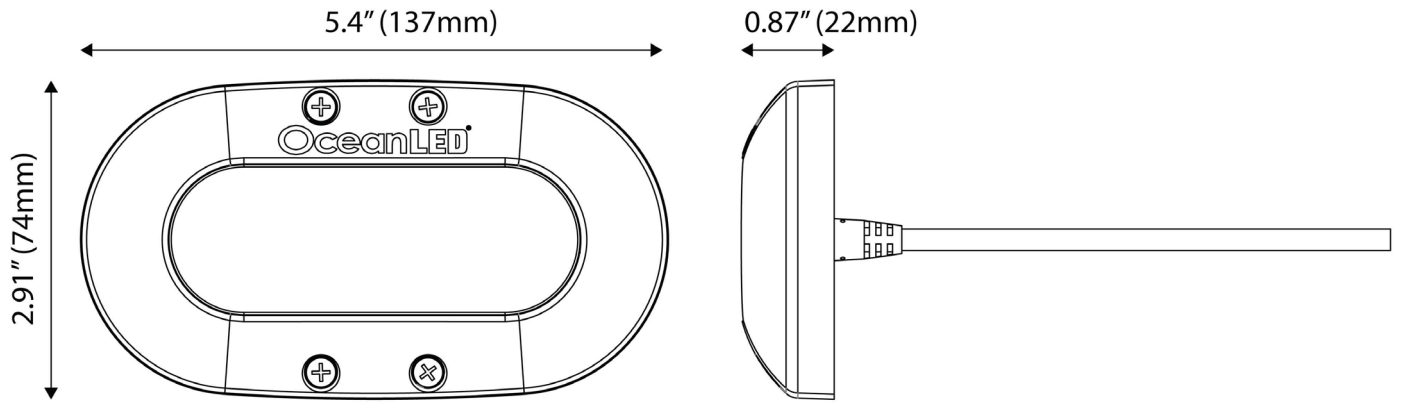
Perfect for transoms. Mount underwater, on an even spread around your engines.



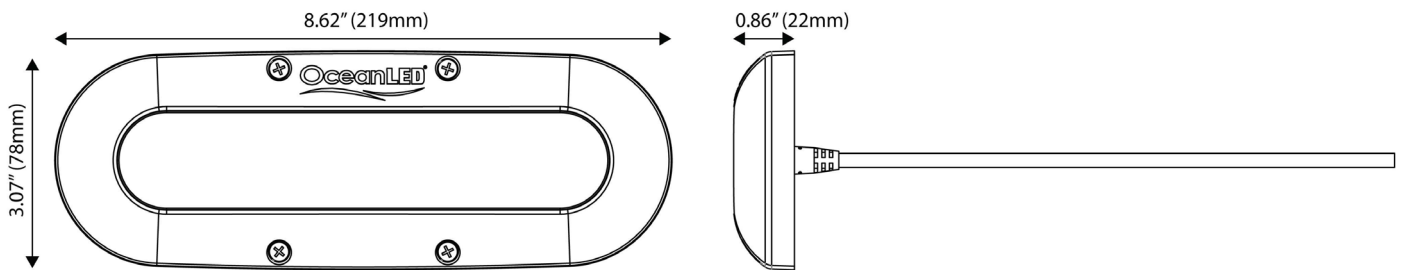
EASY TO CLEAN

Thanks to its Tritonium coating, a simple wipe of the lens removes any underwater growth, saving hours of scrubbing each time you use your boat.

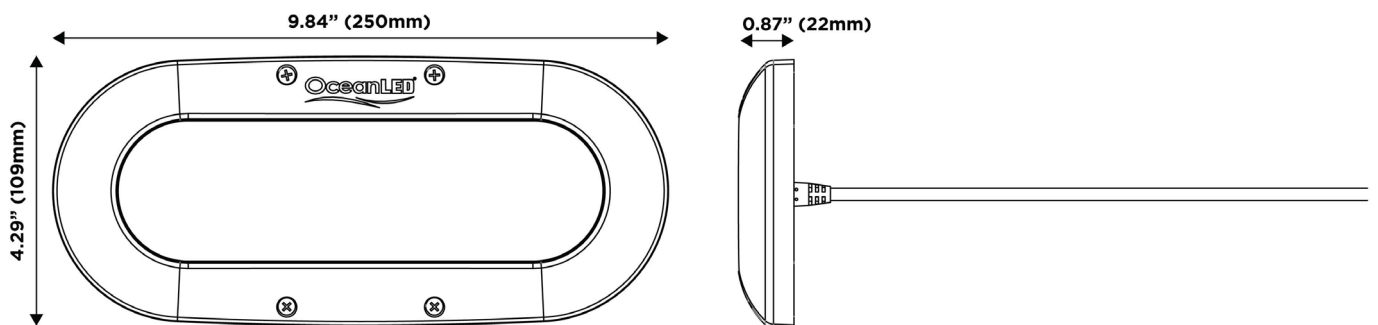
X4 DIMENSIONS



X8 DIMENSIONS



X8 DIMENSIONS



PRODUCT GUIDE / technical

X-SERIES



ADDITIONAL SKUS (WITH ISOLATING MOUNTING KIT)	SKU
X4 Ultra White - White Bezel	012301WI
X4 Ultra White - Black Bezel	012301WI-BLK
X4 Midnight Blue - White Bezel	012302BI
X4 Midnight Blue - Black Bezel	012302BI-BLK
X4 Colours - White Bezel	012312CI
X4 Colours - Black Bezel	012312CI-BLK

TECHNICAL	
Fixture Lumens (Ultra white)	
X4	1150
X8	2300
X16	4500
Minimum-Maximum operating voltage DC	9-32V DC
Current / Amp draw (DC)	
X4	12V DC 0.8A 24V DC 0.4A
X8	12V DC 1.65A 24V DC 0.75A
X16	12V DC 3.2A 24V DC 1.5A
Approx. Light penetration (Perfect water quality)	
X4	Up to 45' (13+m)
X8	Up to 72' (22+m)
X16	Up to 100'(30+m)
Driver type	Internal, Reverse Polarity Protected

PHYSICAL X4	
Total weight	
X4	350g (0.78lbs)
X8	600g (1.32lbs)
X16	860g (1.90lbs)
Extension cable length	9.84' (3m)
Hole cut-out for cable entry	0.5" (12.5mm)
Material	Chemically resistant optical polymer

BOX CONTENTS

X-Series LED Light and Cable
In-line Fuse Kit
Mounting Screws
Quick Install Guide

ACCESSORIES

	PART
OceanDMX RC (X8/X16 Colours) App Controller Kit (1-4 Lights)	See OceanDMX RC Product Guide
DMX Junction Box (Required for 5+ OceanDMX Controlled Lights)	011702
Black Polymer Bezel X4	PLS-000108
Black Polymer Bezel X8	PLS-000107
Black Polymer Bezel X16	PLS-000017
316L Stainless Steel Bezel X4	011416
316L Stainless Steel Bezel X8	011417
316L Stainless Steel Bezel X16	011418
4 Way V DC Power Junction Box	019901
Isolating Mounting Kit	019913

MOUNTING RECOMMENDATIONS

Boat size	
X4	Up to 30' (9m)
X8	Up to 50' (15m)
X16	Up to 65' (20m)
Transom / Hull spacing	
X4	2-3' (0.5-1m)
X8	2-4' (0.5-1.2m)
X16	2-4' (0.5-1.2m)
Transom quantity	2-4
Installation depth (to top of fixture)	4-8in (10-20cm)