



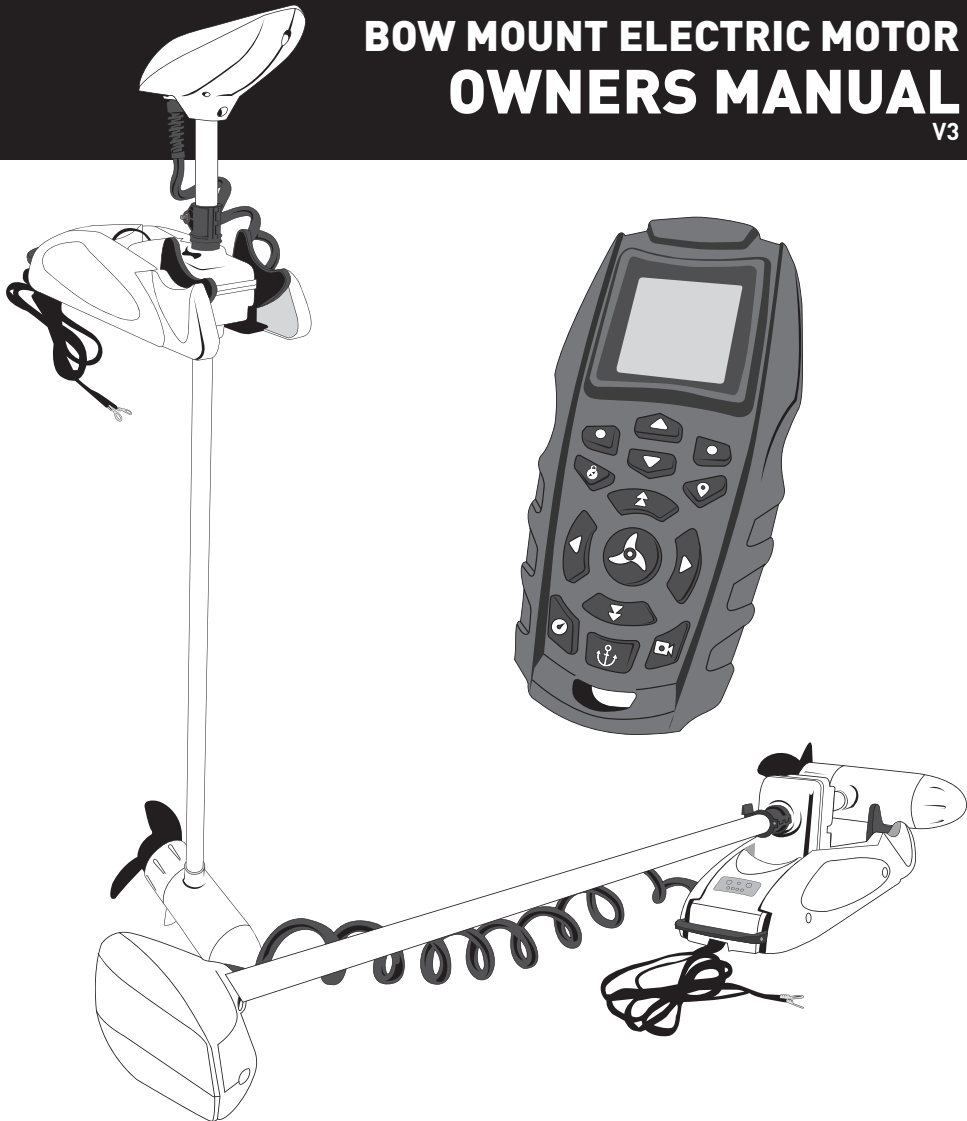
WATERSNAKE[®]

ELECTRIC MOTORS

GEO-SPOT GPS 65LB

BOW MOUNT ELECTRIC MOTOR OWNERS MANUAL

V3



THIS OWNER'S MANUAL IS APPLICABLE TO THE FOLLOWING WATERSNAKE 65 LB GEO-SPOT GPS MODELS:

- 55313 Watersnake Geo Spot 65lb / 54" Saltwater.
- 55314 Watersnake Geo Spot 65lb / 66" Saltwater.
- 55315 Watersnake Geo Spot 65lb / 54" Freshwater. (Black Colour)
- 55316 Watersnake Geo Spot 65lb / 60" Saltwater.

WARNING

The Watersnake Geo Spot motor relies on GPS technology to operate in its different modes, including anchor, pilot, cruise, and navigation. It is essential that the person controlling the vessel and Geo Spot motor is alert to all navigation dangers and safety risks that may arise during the motor's operation in each mode; it is this person's primary responsibility to ensure vessel and occupant safety, regardless of whether the Geo Spot motor is in GPS or non-GPS mode.

COMMON ISSUES WITH GPS SYSTEMS

Wrong installation: An incorrectly installed GPS can lead to problems. Careful checks as you follow all installation steps are vital to ensure the correct operation of the system.

User error: Human errors can happen. Remain Alert. Circumstances may change, affecting the operation when in GPS mode. For example, vessels may enter an area during use after a Track is recorded or a Mark is set.

Atmospherics: Satellite signals can be affected by irregular activity in the earth's atmosphere.

Deliberate acts: Jamming, spoofing and hacking can affect the GPS signal.

Local issues: In some locations, the availability and quality of GPS signals can cause issues. Errors can also be expected when satellite signals hit structures or are shielded by higher ground, cliffs or mountains.

SPECIFICATIONS

WATERSNAKE GEO-SPOT 54" SHAFT MODELS

MODELS	CODE: 55313	NAME: GEO-SPOT SW65/54 WHITE SALTWATER
	CODE: 55315	NAME: GEO-SPOT FW65/54 BLACK FRESHWATER
VOLTAGE (V)	12 VOLT	
MAX.THRUST (LB)	65LB	
MAX.RPM	1650	
SPEEDS	VARIABLE	
SHAFT LENGTH (IN)	54" / 137cm	
SHAFT WALL	4.25mm	
SHAFT DIAMETER	1.2"/30mm	
AVERAGE AMP DRAW (A/H)	25 AMP	
MAX AMP DRAW (A/H)	50 AMP	
MAX WATTS	420 WATTS	
PROP	3 BLADE-WEEDLESS (PITCH 94mm)	
REMOTE CONTROL	DIGITAL FOB	
FOOT CONTROL	OPTIONAL	
MOUNTING	BOW MOUNT XB BRACKET	
WIRE GAUGE	10AWG	
REQUIRED BATTERY	12v DEEP CYCLE	
MIN. RECOMMENDED BATTERY SIZE	95 AMP HOUR *	
SUGGESTED LOADED BOAT WEIGHT	UP TO 750KG	
MOTOR WEIGHT	15KG	

OPTIONAL ACCESSORIES SOLD SEPARATELY:

- Nylon Quick Release Bracket
- Alloy Quick Release Bracket
- Geo-Spot Foot Control
- Navigation Sensor
- Spare 3-Blade Propeller
- Spare Propeller Accessory Kit

See page 41 for details.

*** NOTE** - this is to be used as a guide only. Check with your battery supplier to confirm required size of 12 volt deep cycle battery that will be appropriate for your situation. Your Watersnake Geo-Spot GPS motor is fitted with built in voltage protection, current protection and overheating temperature control. The use of a circuit breaker is not required.

SPECIFICATIONS

WATERSNAKE GEO-SPOT 66" SHAFT MODEL

MODEL	CODE: 55314	NAME: GEO-SPOT SW65/66 WHITE SALTWATER
VOLTAGE (V)	12 VOLT	
MAX.THRUST (LB)	65LB	
MAX.RPM	1650	
SPEEDS	VARIABLE	
SHAFT LENGTH (IN)	66" / 167cm	
SHAFT WALL	4.25mm	
SHAFT DIAMETER	1.2"/30mm	
AVERAGE AMP DRAW (A/H)	25 AMP	
MAX AMP DRAW (A/H)	50 AMP	
MAX WATTS	420 WATTS	
PROP	3 BLADE-WEEDLESS (PITCH 94mm)	
REMOTE CONTROL	DIGITAL FOB	
FOOT CONTROL	OPTIONAL	
MOUNTING	BOW MOUNT XB BRACKET	
WIRE GAUGE	10AWG	
REQUIRED BATTERY	12v DEEP CYCLE	
MIN. RECOMMENDED BATTERY SIZE	95 AMP HOUR *	
SUGGESTED LOADED BOAT WEIGHT	UP TO 750KG	
MOTOR WEIGHT	15KG	

OPTIONAL ACCESSORIES SOLD SEPARATELY:

- Nylon Quick Release Bracket
- Alloy Quick Release Bracket
- Geo-Spot Foot Control
- Navigation Sensor
- Spare 3-Blade Propeller
- Spare Propeller Accessory Kit

See page 41 for details.

*** NOTE** - this is to be used as a guide only. Check with your battery supplier to confirm required size of 12 volt deep cycle battery that will be appropriate for your situation. Your Watersnake Geo-Spot GPS motor is fitted with built in voltage protection, current protection and overheating temperature control. The use of a circuit breaker is not required.

SPECIFICATIONS

WATERSNAKE GEO-SPOT 60" SHAFT MODEL

MODEL	CODE: 55316 NAME: GEO-SPOT SW65/60 WHITE SALTWATER
VOLTAGE (V)	12 VOLT
MAX.THRUST (LB)	65LB
MAX.RPM	1650
SPEEDS	VARIABLE
SHAFT LENGTH (IN)	60" / 152cm
SHAFT WALL	4.25mm
SHAFT DIAMETER	1.2"/30mm
AVERAGE AMP DRAW (A/H)	25 AMP
MAX AMP DRAW (A/H)	50 AMP
MAX WATTS	420 WATTS
PROP	3 BLADE-WEEDLESS (PITCH 94mm)
REMOTE CONTROL	DIGITAL FOB
FOOT CONTROL	OPTIONAL
MOUNTING	BOW MOUNT XB BRACKET
WIRE GAUGE	10AWG
REQUIRED BATTERY	12v DEEP CYCLE
MIN. RECOMMENDED BATTERY SIZE	95 AMP HOUR *
SUGGESTED LOADED BOAT WEIGHT	UP TO 750KG
MOTOR WEIGHT	15KG

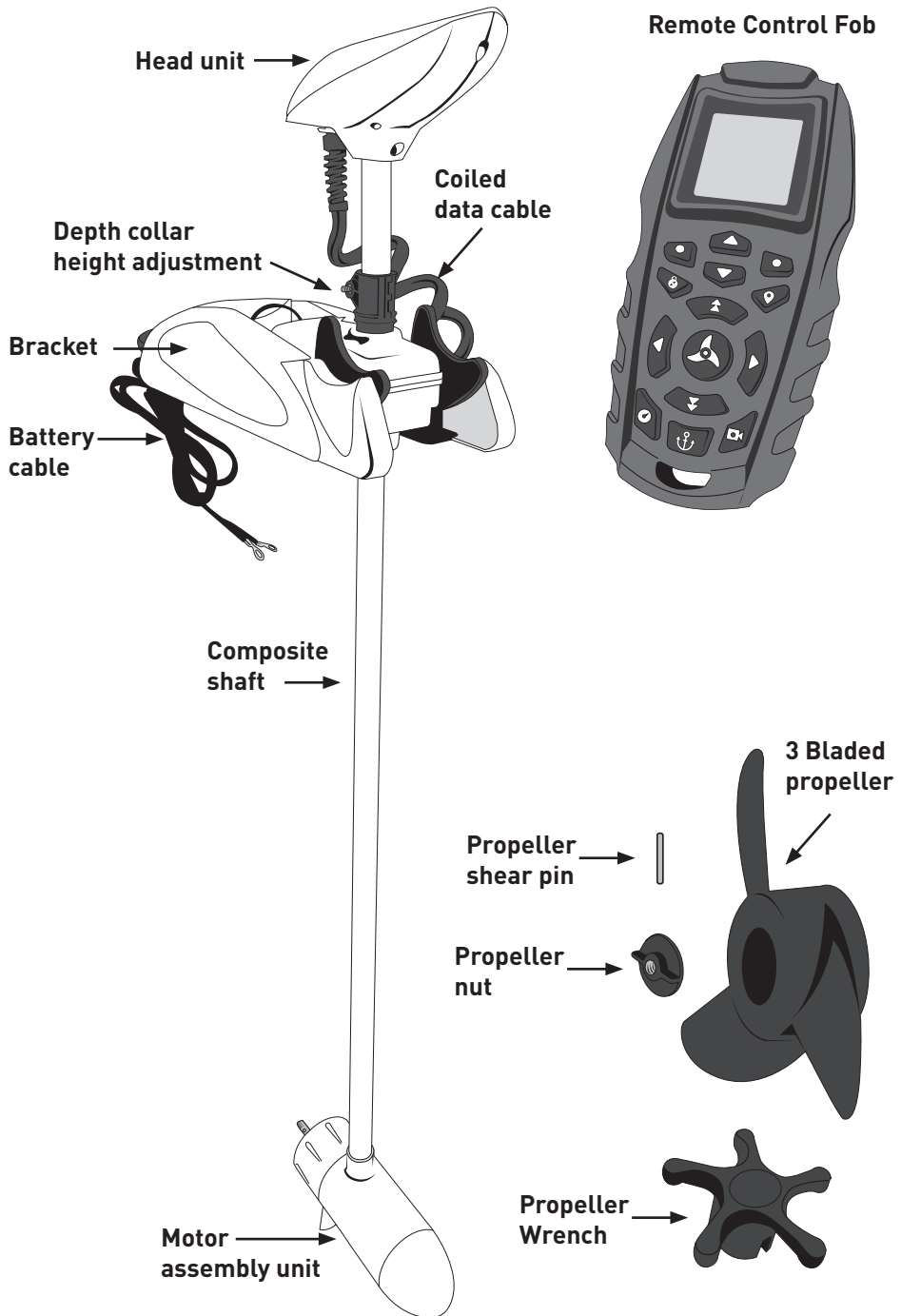
OPTIONAL ACCESSORIES SOLD SEPARATELY:

- Nylon Quick Release Bracket
- Alloy Quick Release Bracket
- Geo-Spot Foot Control
- Navigation Sensor
- Spare 3-Blade Propeller
- Spare Propeller Accessory Kit

See page 41 for details.

*** NOTE** - this is to be used as a guide only. Check with your battery supplier to confirm required size of 12 volt deep cycle battery that will be appropriate for your situation. Your Watersnake Geo-Spot GPS motor is fitted with built in voltage protection, current protection and overheating temperature control. The use of a circuit breaker is not required.

CHECK CONTENTS



INDEX

INSTALLATION

Pre-installation checklist	8
Installation direct mount	9
Installation with optional quick release brackets	11-13

PROPELLER ASSEMBLY	15
---------------------------------	----

DEPLOY INSTRUCTIONS	16
----------------------------------	----

STOWING INSTRUCTIONS	17
-----------------------------------	----

BATTERY AND POWER	18-19
--------------------------------	-------

REMOTE CONTROL	20-21
-----------------------------	-------

OPTIONAL FOOT CONTROL INSTRUCTIONS	22
---	----

OPTIONAL NAV SENSOR INFORMATION	23
--	----

GPS FUNCTION USER INSTRUCTIONS

Getting started	24
-----------------------	----

Initial power up	25-26
------------------------	-------

Calibrations	27
--------------------	----

Manual mode	28
-------------------	----

Anchor mode	29
-------------------	----

Pilot mode	30
------------------	----

GPS speed	31
-----------------	----

Course mode	31
-------------------	----

Cruise control	31
----------------------	----

Track recording	32
-----------------------	----

Navigate mode	33-34
---------------------	-------

MAINTENANCE	35-36
--------------------------	-------

TROUBLE SHOOTING	37-39
-------------------------------	-------

SERVICING	40
------------------------	----

SPARE PARTS AND WHERE TO ORDER THEM	41
--	----

SCHEMATICS AND PARTS LISTS	42-57
---	-------

PRE INSTALLATION

PRE INSTALLATION CHECKLIST

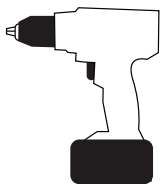


- Introductory video links are available for the Watersnake Geo-Spot electric motor. The videos include an unboxing video as well as a full operational guide video. Scan the QR code to go to the Watersnake Geo-Spot page on the Jarvis Walker website or go to:
<https://www.jarviswalker.com.au/watersnake-geo-spot-gps-bow-mount-motor.html>
- Familiarise yourself with this user manual and the various parts of your Watersnake motor, labelled in the illustrations.
- Select desired mounting location on boat.
- 12v deep cycle battery (your Watersnake motor is not designed for use with car / truck / motorcycle type batteries) – for more information about appropriate batteries for your Watersnake motor, refer to page 18.
- Check battery cable length in relation to location of your 12v deep cycle battery. If extension to battery cable is required, refer to table on page 19.

FITTING THE MOTOR TO THE BOAT

TOOLS REQUIRED

- Power drill
- 6mm drill bit
- Phillips head screwdriver
- Hex key, 5mm (for optional quick release plate mounting)
- 10mm spanner/shifter
- Prop nut wrench (supplied)
- Marine grease



Power Drill



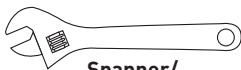
Drill Bit



Phillips Head Screwdriver



Hex Key



Spanner/
Shifter



Prop Nut
Wrench



Marine Grease

INSTALLATION

There are two ways to attach your motor to your boat:

Option 1 - Direct installation of the motor to your boat without a quick release bracket.

Option 2 - Installation of the motor to you boat with an optional quick release bracket.

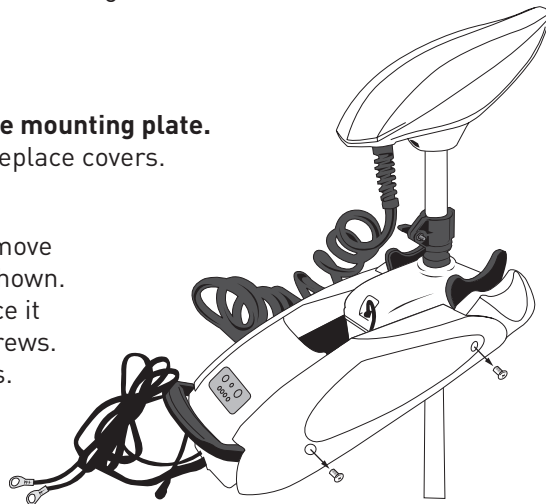
PLEASE NOTE:

Option 2 is the preferred method for mounting the Geo-Spot motor. It allows for quick and easy dismounting and remounting of the motor. Watersnake has two alternate Quick Release Brackets available and these are outlined on pages 11 & 13 of this manual. Watersnake Quick Release Brackets are readily available at stockists of electric trolling motors or online.

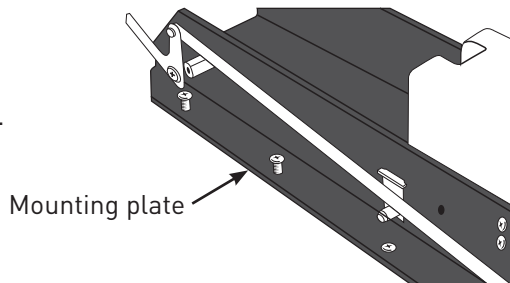
Remove side covers to expose mounting plate.

After the motor is mounted, replace covers.

To remove the side covers remove the Phillips head screws as shown. To re-attach a side cover, place it into position and resecure screws. Do not overtighten the screws.



Fit bolts down through mounting plate and foredeck.



PLEASE NOTE:

Watersnake accepts no liability for personal injury or property damage caused while fitting this motor. Please wear appropriate protective clothing and eyewear/face protection. Avoid contacting and/or inhaling fibreglass dust or aluminium shavings.

INSTALLATION

OPTION 1

ATTACHING THE MOTOR TO YOUR BOAT WITHOUT THE OPTIONAL QUICK RELEASE BRACKET

Before beginning the process of attaching the motor to your boat please ensure the entire Watersnake mount assembly must be mounted in a level, horizontal position as close to the boat's centreline as possible. The Watersnake motor does not necessarily need to face directly forward. On slightly curved decks, spacer washers or blocks must be used to ensure level mounting of the motor base. In some cases it may be necessary to fabricate a mounting plinth from alloy or fibreglass to provide a level location. If you are unsure please consult your marine technician.

Use 6mm or 1/4" bolts, washers and nylon locking nuts. All fasteners should be of 316-grade stainless steel. On aluminium boats, use thin rubber washers, gasket material or a film of neutral-cure marine silicone to limit bolt contact with alloy to reduce electrolysis.

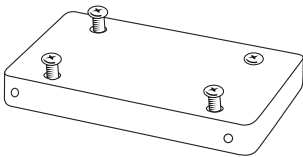
- 1** "Dry fit" to determine the most suitable position on the boat. Choose a site that offers the least exposure to heavy spray or chance of immersion, especially of the head unit and rear of base mount assembly.
- 2** Remove side covers from the base mount to reveal the six mounting holes. At least four must be fastened to the boat deck with approved bolts, washers and nuts.
- 3** With motor in stowed position, check that no part of the entire assembly, including the shaft and head unit, is obstructed by any part of the boat, eg, rails, seats, opening hatches, etc. Check that no part of boat impedes full deployment of motor.
- 4** Check with the motor in a deployed position that the Watersnake shaft does not come into contact with any part of the hull. Allow at least 30mm clearance from boat gunwale.
- 5** Check with the motor in a deployed position that the propeller and lower unit do not contact any part of the hull through complete 360° rotation.
- 6** Mark potential mounting holes in lower deck. Check that all holes allow access below deck for protruding bolt, washers and spanner. Mark and drill holes.
- 7** Fit at least four bolts down through motor mounting plate and through foredeck. Fit the washers and nylon locking nuts from below. Do not overtighten.
- 8** Apply a light smear of marine grease to pivot points on lock/release lever and turnbox pivot points. Replace the side covers.

INSTALLATION

OPTION 2 - (NYLON QUICK RELEASE BRACKET) ATTACHING THE MOTOR TO YOUR BOAT USING THE OPTIONAL NYLON QUICK RELEASE BRACKET

Before beginning the process of attaching the motor to your boat, please ensure the entire Watersnake mount assembly, including the optional quick-release plate, must be mounted in a level, horizontal position as close to the boat's centreline as possible. The Watersnake motor and quick-release plate do not necessarily need to face directly forward. On slightly curved decks, spacer washers or blocks must be used to ensure level mounting of the motor base and/or lower quick-release plate. In some cases it may be necessary to fabricate a mounting plinth from alloy or fibreglass to provide a level location. If you are unsure please consult your marine technician.

1. QUICK RELEASE BOTTOM PLATE INSTALLATION

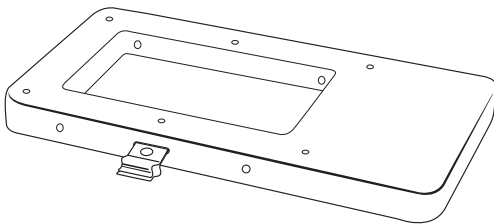


Attach the Quick Release Bottom Plate to the bow of the boat, taking care to ensure it is on the centreline of the boat and placed forward enough so that when the motor is attached the shaft of the motor is not making contact with the boats gunwale rubber. With the plate in position, mark the holes for drilling,

ensuring as you do that the bow area below the mounting location is clear and accessible.

Attach the Quick Release Bottom Plate to the bow using the stainless steel bolts, nuts and washers provided. It is important when doing this work that the boat is level.

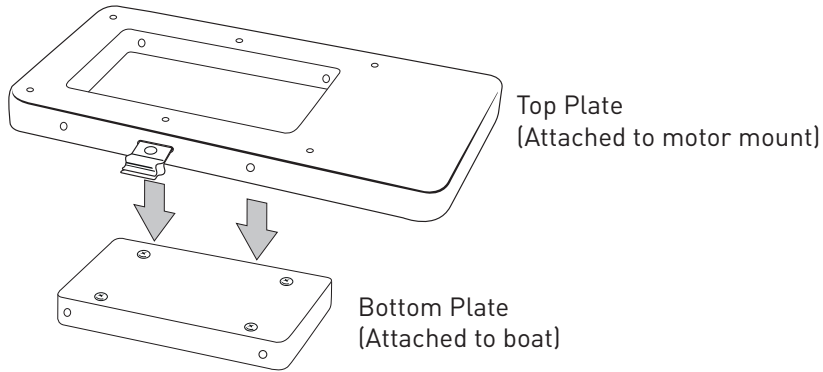
2. QUICK RELEASE TOP PLATE INSTALLATION



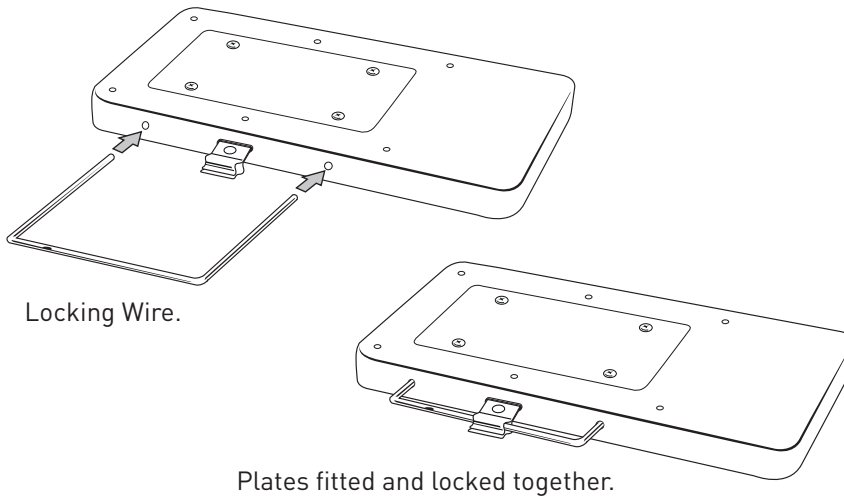
Remove the side covers from the motor mount. Using the bolts washers and nuts provided, attach the Quick Release Top Plate to the motor mount. The foot print of the Top Plate includes several pre-drilled holes to suit a variety of motor types.

INSTALLATION

- 3.** Position the motor bracket with the Quick Release Top Plate on top of the Bottom Plate, which you have mounted to the boat in step 1.



- 4.** To lock both plates together, push the steel Locking Wire all the way into the holes shown here, so the Wire becomes secured by the metal clasp.



PLEASE NOTE:

Watersnake accepts no liability for personal injury or property damage caused while fitting this motor. Please wear appropriate protective clothing and eyewear/face protection. Avoid contacting and/or inhaling fibreglass dust or aluminium shavings.

INSTALLATION

OPTION 2 - (ALLOY QUICK RELEASE BRACKET) ATTACHING THE MOTOR TO YOUR BOAT USING THE OPTIONAL ALLOY QUICK RELEASE BRACKET

Before beginning the process of attaching the motor to your boat please ensure the entire Watersnake mount assembly, including the optional quick-release plate, must be mounted in a level, horizontal position as close to the boat's centreline as possible. The Watersnake motor and quick-release plate do not necessarily need to face directly forward. On slightly curved decks, spacer washers or blocks must be used to ensure level mounting of the motor base and/or lower quick-release plate. In some cases it may be necessary to fabricate a mounting plinth from alloy or fibreglass to provide a level location. If you are unsure please consult your marine technician.

INSTALLATION (See next page for diagram)

The bracket consists of two plates, top and bottom. Use the six screws (no.3) and washers (no.5) provided to attach the top plate (no.1) to the bottom of your bow mount motor and secure with locknuts (no.4). Use the screws (no.7) provided to fix the bottom plate to the bow section of your boat.

ATTACHING THE MOTOR TO YOUR BOAT

Rotate the latch (no.8) on the top plate counter clockwise until it stops. Place the top plate (no.1) onto bottom plate (no.6) the two plates will fit into one another. Turn the latch (no.8) clockwise until tight to lock the two plates in place. Seat the latch (no.8) over the top of the shackle (no.9). A padlock can be passed through the shackle (no.9) to secure your motor.

REMOVING THE MOTOR FROM YOUR BOAT

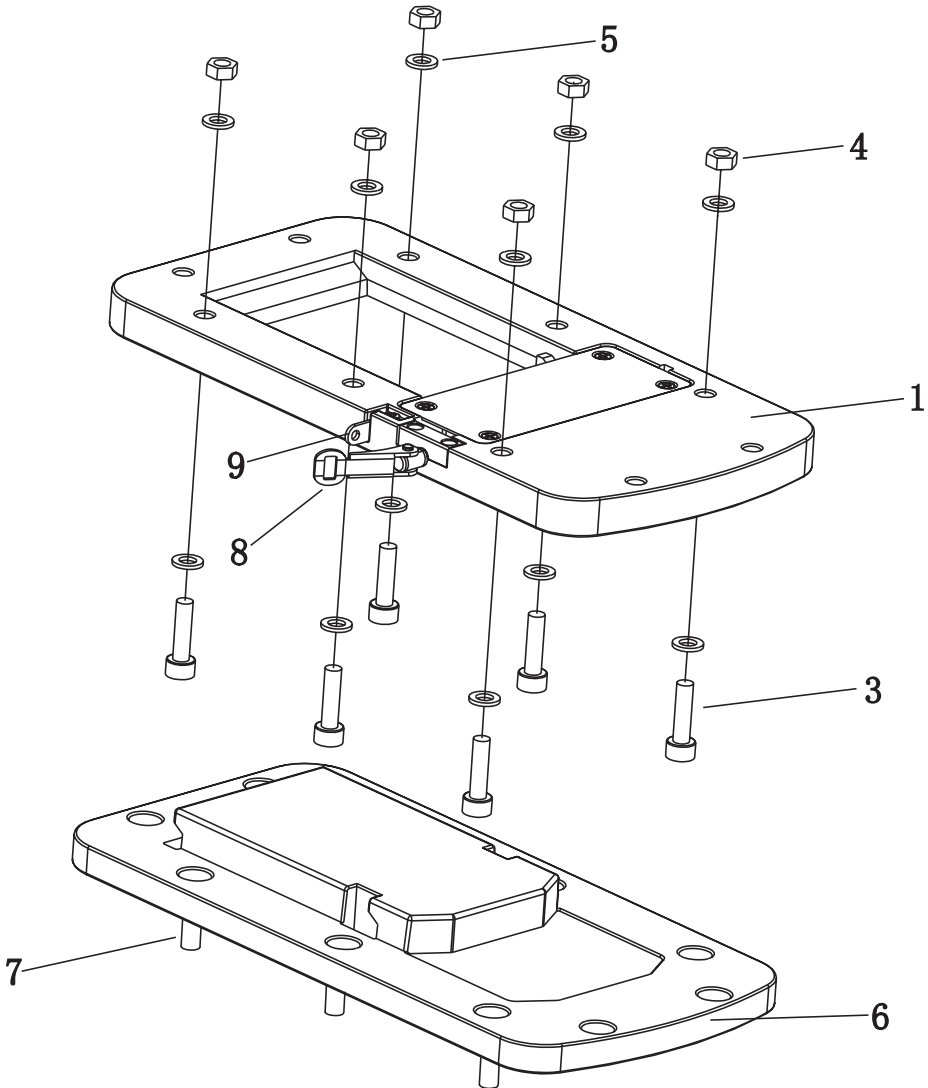
Rotate the latch (no.8) counter-clockwise until tight. Slide the motor and lift to remove.

PLEASE NOTE:

Watersnake accepts no liability for personal injury or property damage caused while fitting this motor. Please wear appropriate protective clothing and eyewear/face protection. Avoid contacting and/or inhaling fibreglass dust or aluminium shavings.

INSTALLATION

OPTIONAL ALLOY QUICK-RELEASE BRACKET

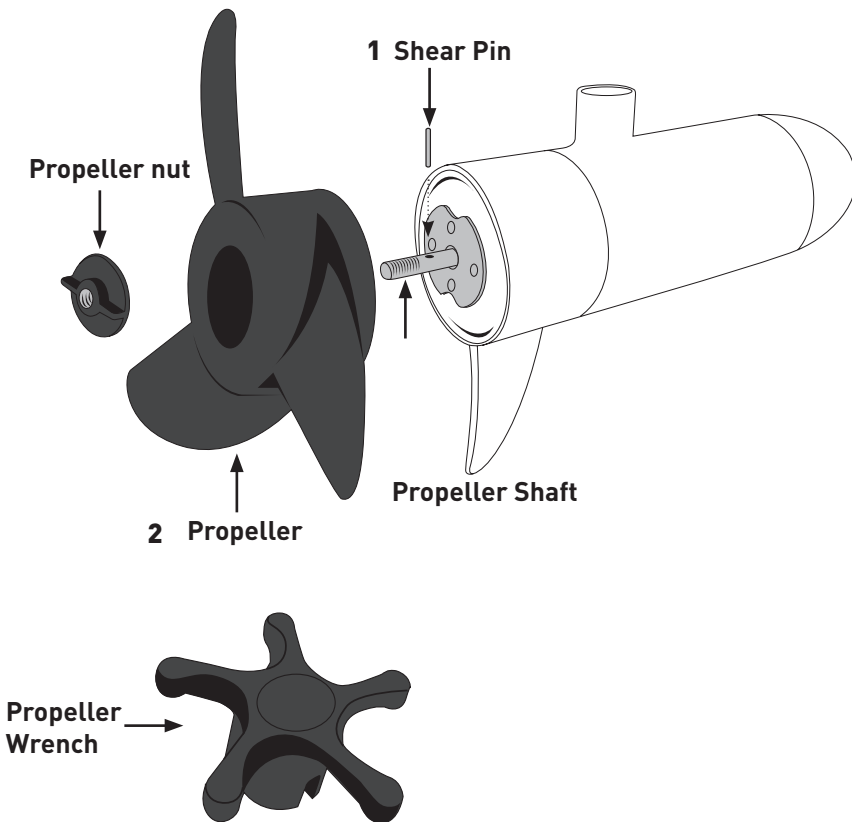


PROPELLER ASSEMBLY

ATTACHING THE PROPELLER

Before doing anything with the propeller, ensure the cables to the battery are disconnected.

- 1: Place shear pin in shaft as shown.
- 2: Align the propeller against the shear pin on the shaft
(there is a groove on the back of the propeller which the shear pin needs to slot into)
and then tighten the propeller nut securely using the propeller wrench.
Do not overtighten; check regularly.



DEPLOYING INSTRUCTIONS

HOW TO DEPLOY YOUR WATERSNAKE BOW MOUNT ELECTRIC MOTOR.

IMPORTANT PLEASE READ BEFORE USE.

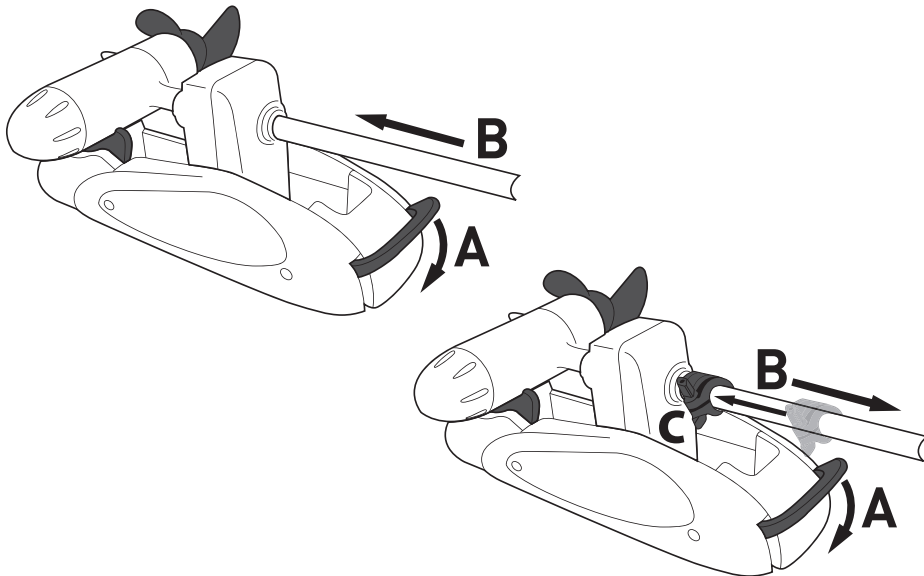
Failure to deploy your Watersnake as described below may damage your unit, invalidating its warranty, and could injure you and/or other people.

NOTE – Your Watersnake motor is not designed to release from the cradle by pressing on the release lever alone.

- Slide depth collar up the shaft (towards you) and tighten in operating position.
- Depress release lever **(A)** to release forward locking cradle and SIMULTANEOUSLY slide the shaft **(B)** forward and down through the turnbox and pivot to lower carefully into the water until depth collar engages with collar on upper turnbox.

Pinching hazard. Keep fingers clear of collars.

- Ensure locking lever **(A)** is in the up position and turnbox is locked down.
 - Adjust depth collar **(C)** to ensure propeller is completely submerged at all times.
- Pinching hazard. Keep fingers clear of collars.



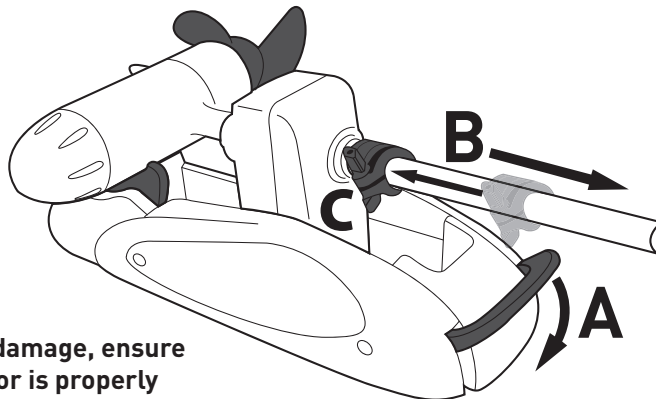
STOWING INSTRUCTIONS

HOW TO STOW YOUR WATERSNAKE BOW MOUNT ELECTRIC MOTOR.

IMPORTANT PLEASE READ BEFORE USE.

Failure to stow your Watersnake as described below may damage your unit, invalidating its warranty, and could injure you and/or other people.

- Depress and HOLD locking lever **(A)** and SIMULTANEOUSLY slide the shaft **(B)** up towards you, through the pivoting turnbox. Release locking lever **(A)** and continue sliding until the propeller unit sits back in the opened locking cradle. There should be a click as cradle locks into Stowed position and the locking lever comes up.
- To prevent accidental deployment, slide the depth collar **(C)** down the shaft to the turnbox and tighten.
- Ensure your motor is properly stowed and secured before high-speed travel on the water or on the road. Additional support of the head unit may be required. Watersnake accepts no liability for injury or damage caused by the incorrect deployment or stowing of this motor.
- For travel over long distances or over rough terrain, Watersnake recommends you remove the motor from the boat it is installed on and stow it securely in a safe and secure position with protection from bad weather.



To avoid damage, ensure your motor is properly stowed and secured before driving and/or moving your boat.

PLEASE NOTE:

Watersnake Distribution Pty Ltd accepts no liability for injury or damage caused by the incorrect deployment or stowing of this motor.

BATTERY AND POWER

BEST PRACTICES- INSTALLING AND CONNECTING YOUR GEO SPOT MOTOR

- Connect your Trolling Motor to a dedicated Battery that only powers the Trolling Motor. Do not connect other items or accessories to that battery including, but not limited to, Solar Chargers, Battery Chargers, Alternators or Other Marine Accessories. Connecting other items may cause interference, damage or performance issues to the Trolling Motor.
- Review the preferred BATTERY TYPE section of the manual (below) before purchasing your Trolling Motor Battery.
- Route the wiring from the battery to the trolling motor on an alternate route or path to other wiring on the boat. If possible, it is preferable the wire is fitted to the opposite side of the boat to other wiring.
- If you have to extend the wiring to connect the motor please review the VOLTAGE DROP section of the manual (next page) so you fully understand this process.

BATTERY TYPE

The precision electronics in this product require a 12 VOLT DEEP CYCLE BATTERY, with minimum size 95 Amp Hours.

Deep Cycle batteries deliver sustained power with low current draw over extended periods. They can be drained to low levels without developing a “memory” and can be fully recharged hundreds of times over their working lives. A car or truck battery is designed to provide a pulse of “cranking power” over a short period, can develop a “memory” preventing complete recharge and can produce current surges that may damage sensitive electronic components on your Watersnake.

USE OF A NON-DEEP CYCLE BATTERY MAY VOID YOUR WARRANTY.

BATTERY CHARGING

Your Watersnake motor **must** be disconnected from the battery before charging begins. This includes alternators or any charging systems. Watersnake recommends a “smart” charger capable of recharging a deep cycle battery on at least 8 amps before reverting to a trickle or maintenance phase to maintain complete charging.

BATTERY AND POWER

VOLTAGE DROP

The included 2.8m battery cable should not be extended by more than 1m, due to the wire gauge. This avoids damaging voltage drop. To get a cable longer than this, replace the existing cable as well so the entire length is the correct wire gauge for the new length. This modification should only be performed by a marine technician or auto electrician.

Only use twin-sheathed tinned cable.

WIRE EXTENSION LENGTH	SUGGESTED WIRE GAUGE - AMERICAN WIRE GAUGE (AWG)	SUGGESTED WIRE GAUGE - BROWN & SHARPE (B&S)	CABLE AMP RATING	O.D. MM
1 m	8 AWG	8 B&S	59 A	7.1 x 12.5
1 to 3m	8 AWG	8 B&S	59 A	7.1 x 12.5
3 to 5m	6 AWG	6 B&S	82 A	8.8 x 16

CONNECTING YOUR MOTOR TO THE BATTERY

All Watersnake wiring connections should conform to best marine standards. Soldered, sealed and heat-shrink protected. If you doubt your ability to produce quality waterproof connections or lack the equipment, consult a marine technician or auto electrician.

- Your Watersnake comes factory-fitted with a standard length of twin flex wiring with ring terminals to attach to the battery.
- Before connecting the motor's cables to the battery terminals, ensure all switches are in the OFF position and stand clear of the propeller.
- Connect the red cable to the positive (+) terminal and the black cable to the negative (-) terminal, making sure the terminals are clean before doing so. A clean connection will minimise power wastage and give you maximum power from the battery.
- Conventional Anderson plugs, provided they are rated over 50 amps, are also popular and effective connections but must be kept clean and corrosion-free.
- When the motor is connected to the battery **DO NOT** connect any other charging devices to the battery. For example solar chargers or alternators.
- When not in use please make sure that the motor is disconnected from the battery.

REMOTE CONTROLLER

REMOTE CONTROL

Do not attempt to operate the Remote Control while outside your floating boat. The Remote unit is splashproof but not submersible. Do not immerse.

Use the lanyard provided to ensure the Remote is at hand whenever required.

Do not wipe screen if there is a layer of dried salt, grit or sand on it. Remove gently with a soft, damp cloth to prevent scratching.

Use the neck lanyard for convenience but be careful not to immerse when leaning close to the water.

- The 3 x AAA batteries installed provide up to 100 hours of operation if backlight brightness and timeout are at lowest settings. See Remote section.
- Battery condition indicator is at top right corner of home screen when power is on.
- Battery compartment is on underside and requires phillips head screwdriver. To ensure ultimate reliability, keep spare batteries and suitable screwdriver on board.
- Watersnake recommends you carry spare batteries for the FOB on your boat at all times to ensure you have replacements in case of failure of those in the FOB unit. **(This fob unit requires 3 x AAA batteries)**

REMOTE CONTROL OPERATIONS

BUTTON DESCRIPTION

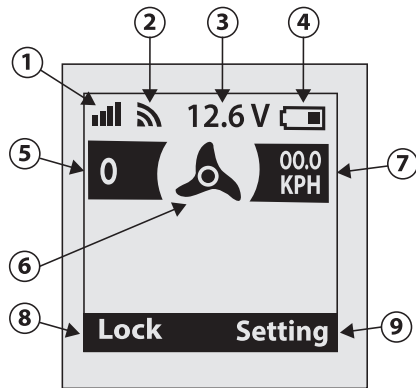
- 1 Menu left
- 2 Menu up
- 3 Menu right, Power on/off
- 4 Heading Fix/Course Fix on/off
- 5 Menu down
- 6 Navigation function menu
- 7 Propeller acceleration
- 8 Turn left
- 9 Propeller start/stop
- 10 Turn right
- 11 Propeller deceleration
- 12 Cruise Mode start/stop
- 13 Anchor Mode on/off
- 14 Record menu



REMOTE CONTROLLER

SCREEN DISPLAY

- 1 GPS signal strength
- 2 4G signal strength
- 3 12V battery voltage
- 4 remote control battery level
- 5 motor speed 0-10
- 6 propeller start and stop
- 7 Vessel speed (over bottom)
- 8 left menu
- 9 right menu



SCREEN DISPLAY ABBREVIATIONS

To Start: When recording or navigating a track the to start location is the beginning of the track.

To End: When recording or navigating a track the to end location is the end of the Track.

Distance (DIST): Distance from the boat's current location to an Anchor Point or the boat's location and closest point on a track.

Bearing (BRG): GPS direction from the boat's current position to a target destination, including a spot or a track.

Heading (HDG): Direction that the motor/boat is pointing or travelling.

Distance to go (DTG): When navigating to a Spot, the distance left before the destination is reached. When navigating a track, the distance to go to reach either the start or end location on the track, depending on which direction the track is being navigated.

FOOT PEDAL CONTROLLER

FOOT PEDAL CONTROL SYSTEM (OPTIONAL)

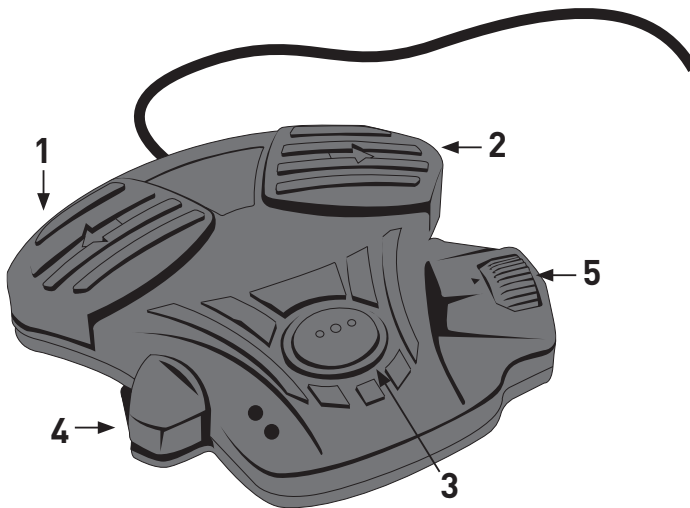
Please note that your Geo-Spot motor has two short leads coming from the base unit.

To fit the foot control unscrew the cap from one of the leads and attach the lead from the foot control to the lead on the motor until it is fitted well. Either of the two leads can be used (the alternate lead is available for fitting a Navigation Sensor if so desired.)

The low profile foot pedal control is used to adjust direction and speed. A variable speed dial control is located at the right side of the foot control box.

- (1) Turn the motor to the left by depressing Button 1.
- (2) Turn the motor to the right but depressing Button 2.
- (3) Use your heel to apply power by depressing Button 3.
- (4) Momentary/constant switch. Toggling this switch alternately allows the user to apply power momentarily, whenever the power pedal (3) is held down (adjacent red LED is lit), or constantly, without touching power pedal (adjacent green LED is also illuminated).
- (5) Variable speed control dial.

NOTE: If the optional Foot Controller is installed to the motor, please remember that if you want to swap from the FOB controlling the motor to the foot controller you must activate the foot controller. This can be simply done by rotating the Variable speed control dial (5) back to zero and then advancing it forward to hand control of the motor over to the foot control from the FOB.

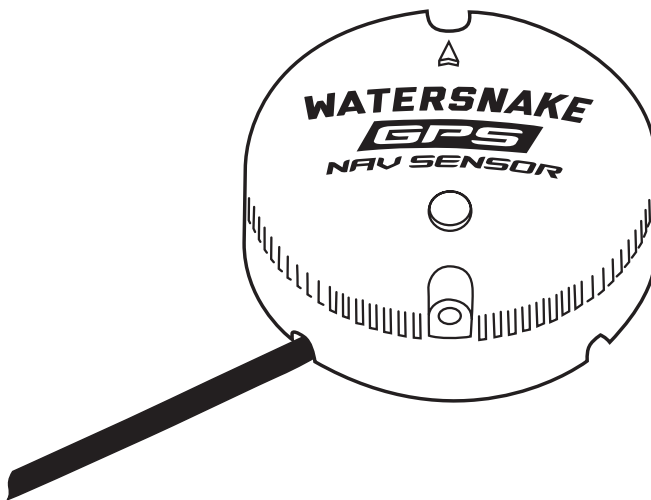


NAVIGATION SENSOR

NAVIGATION SENSOR SYSTEM (OPTIONAL)

A Navigation Sensor is available as an optional accessory for the Geo Spot 65lb GPS motor. If installed, the Navigation Sensor adds a JOG function; this allows the GPS lock position to be moved in increments of 1.5m in the direction of the arrow pointer button(s) on the remote that you press. This feature is very useful as it means you do not need to exit Anchor mode and navigate to another point to reset your new position – you simply jump to a new position 1.5 metres in the direction that you choose, and the motor will hold you there. In operation, this improves the overall function and experience with the motor.

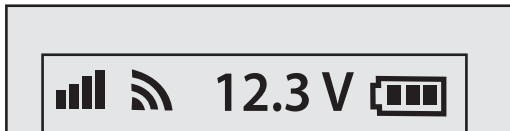
If you have purchased a Navigation Sensor it can be fitted to one of the two leads coming from the motor bracket. To fit the Navigation Sensor, screw the cap from one of the leads and attach the lead from the foot control to one of the leads coming from the bracket until it is fitted well. The alternate lead is available for fitting a Foot Pedal Controller if so desired.



GPS USER INSTRUCTIONS

BEFORE EACH USE

- Ensure that your Watersnake GPS motor is securely attached to your boat.
- Ensure the 12v deep cycle battery is fully charged. (Your Watersnake GPS motor is not designed to be used with a car/truck starting battery).
- Check battery cable for damage or exposed wiring
- Check terminals for corrosion or debris
- Check the Remote Control has sufficient charge (Remote battery indicator is at top Right of active screen).

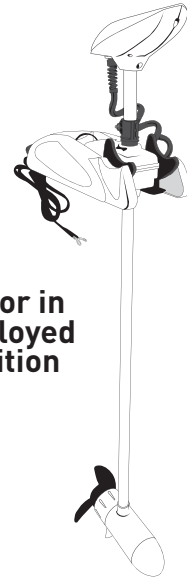


GPS USER INSTRUCTIONS

INITIAL POWER-UP

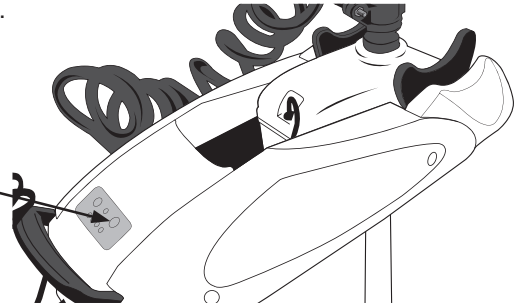
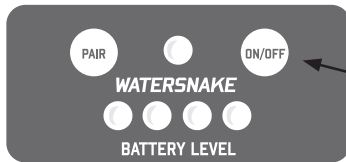
- Attach your Watersnake GPS to a 12 volt deep cycle battery.
- Deploy the motor and ensure locking lever is in the up position.

NOTE – Your Watersnake motor is fitted with a tilt switch that prevents the motor from running unless it is in the deployed (vertical) position.

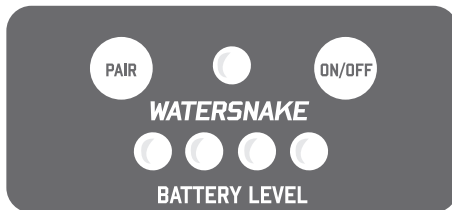


Motor in deployed position

- Hold down the right-hand button (on/off) on the fascia panel on mount assembly until all the lights illuminate.



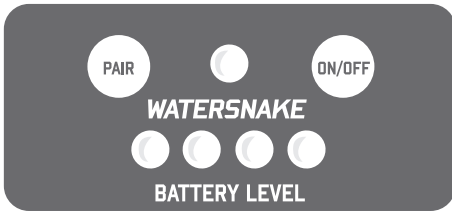
- The four lower LEDs indicate battery condition. They register as green or unlit, depending on charge remaining.



GPS USER INSTRUCTIONS

INITIAL POWER-UP (CONTINUED)

• The upper LED is the unit's Status Light. Its variable colour display signals important states of your Watersnake GPS.



- **Yellow Status Light:** When unit is turned on, Status Light glows YELLOW as unit searches for GPS signals. Superior GPS results occur outdoors, away from tall buildings, bridges etc.
- **Green Status Light:** When unit establishes a GPS connection, usually within a few seconds, status LED FLASHES GREEN, THEN TURNS SOLID GREEN. Unit can be operated by the optional foot pedal only (when cable is connected) at this time.

• **Flashing Red Status Light:** Motor is in stowed position and will not activate for safety reasons.

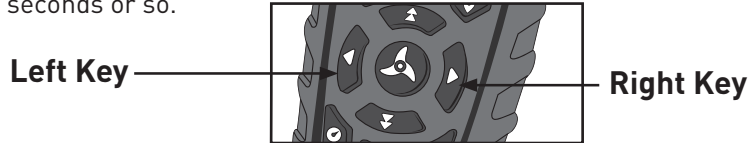
- Power up Remote Control by holding down Red Key 3 for two seconds, then release and the screen illuminates. Motor unit should respond with "shave-and-a-haircut" pairing signal. Status light GREEN. Hold on! Just a few more things...



GPS USER INSTRUCTIONS

CALIBRATIONS, PREFERENCES

- The Remote might now ask you to calibrate steering by activating the grey Turn R or L key for it to establish steering registration. It takes only 10 seconds or so.



- Press that red key again to activate the main Menu. Use the adjoining blue up/down keys to scroll through the setup menus.



- Using the blue arrow down key, scroll down to boat size and configure boat details. This helps your Watersnake GPS apply just the right amount of initial power to the propeller at all times.

- Small boat = under 3m
- Medium boat = 3m-4m
- Large boat = 4m+

Select boat size with red key, lock it in and get back to the settings menu, again with the left blue key.

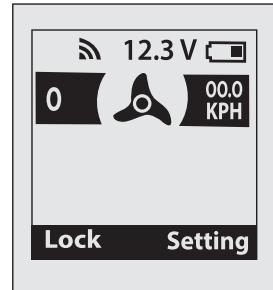


- Scroll to Units and check metric or imperial; press red key to confirm. Default is metric. Press left blue key to get back to main menu and continue scrolling down.
- In the Backlight menu, adjust Timeout and Brightness using red Confirm key. The longer and brighter the remote screen is illuminated, the shorter the Remote battery life. The brighter the day, the brighter the display; go for a dim backlight to retain night vision.
- In the Backlight menu, adjust Auto Off to select your choice of 15 minutes to 120 minutes. Auto Off acts when Remote has been idle for the stipulated time.

GPS USER INSTRUCTIONS

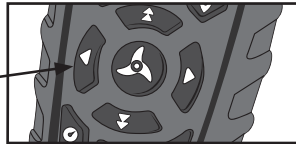
MANUAL MODE -SCREEN DISPLAY

In this mode, the remote function display area is blank. The base unit status light is GREEN. The motor can operate with remote control and optional foot pedal. The optional foot pedal can be switched to constant or momentary. Buttons 7, 8, 9, 10 and 11 control propeller, speed and steering.



- The middle five grey keys control operation in Manual Mode. Status Light glows GREEN in Manual Mode when controlled by Remote and/or optional foot pedal.

**Middle grey
five keys**



**Keys 7,8,9,10
and 11.**



**Optional
foot
control**

- Remote default at startup is zero power level, propeller stopped.
- Grey arrows up and down progressively increase and reduce power between zero and Level 10. Each increment change produces a short notification tone from the base unit fascia panel.
- L and R turn keys on Remote and Pedal operate as long as they are held down, to a maximum of seven seconds. For further rotation, depress and hold again
- Centre Propeller toggle button applies/halts power to propeller and produces a tone at stop/start.
- Always apply power gradually for smooth operation.
- Optional foot pedal controls also operate in conjunction with manual mode, status light GREEN.

GPS USER INSTRUCTIONS

ANCHOR MODE

Press Anchor mode (Key 13) and the motor enters Anchor mode immediately, referring to GPS position where key was activated. Motor will navigate boat back to position, nominal accuracy 2m in favourable conditions. Status light is BLUE

Function screen displays distance from anchor point, GPS bearing back to anchor point.

Menu screen displays: Exit = exit Anchor mode; Save = save current anchor point.

Press Anchor mode key again to exit.

To save a current Anchor spot to memory, ensure Save appears in menu screen display and depress Key 3. Up to 16 spots can be saved.

If you have a Watersnake Navigation Sensor accessory fitted to your vessel, you will be able to utilise the JOG feature when in Anchor mode. When in Anchor mode and locked on a GPS position, simply press the directional arrow for the direction you wish to adjust your locked position by 1.5 metres. This will then adjust the GPS position forward, back, left or right, each time that a directional arrow is depressed.

Do not rely on Anchor Mode as your vessel's sole means of anchoring. Anchor Mode is for short-term position holding in light conditions and is not to be relied on to maintain a vessel's position in significant current, wind, weather or tide. A vessel in Anchor Mode is considered by the International Regulations for Preventing Collisions at Sea (Colregs) to be "under way" and should display appropriate lights and practise relevant collision avoidance. Do not use Anchor Mode in busy channels or shipping fairways.

- Anchor Mode is Key 13, at bottom centre, with anchor icon.
 - Press once to activate; alert tone should sound, status light should glow steady BLUE and boat should remain within 2m of the point where you hit the Anchor key. Remote display should indicate distance to Spot. It is preferable to slow down before entering Anchor Mode to avoid overrunning the target, as your Watersnake GPS motor returns to the exact position where key was activated.
 - To quit Anchor Mode and revert to Manual Mode, press Anchor key 13 again. Exit alert tone will sound, status light will glow GREEN. Power in Manual Mode will default to last power level used in Anchor Mode.
 - Fine repositioning adjustments can be made in Manual Mode – then press Anchor key again to anchor at your new location.
- Your Watersnake GPS can save up to 16 spots and return to them at any time if they are less than 1km away. See Remote Instructions section for details.

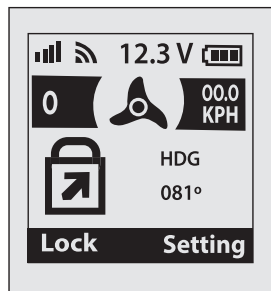


GPS USER INSTRUCTIONS

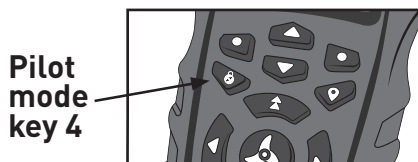
PILOT MODE

Pilot mode key is Key 4 (with compass icon).

- Pilot mode can be toggled between:
 - Heading mode (the direction the Watersnake GPS motor is pointed when Pilot mode key is activated.) Screen function area displays: Heading icon, target heading of motor.



Pilot Mode key is Key 4 (with compass icon).



- Pilot mode can be toggled between:
 - Heading Mode (the direction the Watersnake GPS motor is pointed when Pilot Mode key is activated) and
 - Course mode (the “true” course bearing as it would appear on a marine chart or GPS plotter screen.)
- You can choose between Heading and Course by selecting in the Fix menu, in the Settings section under the Red key.
- You can use the grey L or R steering keys on your Remote or L or R pedals on optional pedal control to adjust Heading or Course. A new heading direction or course will appear in Remote screen display.
- To quit Pilot Mode, simply press the Pilot mode key again.
- Foot pedal controls also operate in Pilot mode.
Learn how to operate Cruise control in Heading or Course mode by referring to the detailed Remote Instructions section.

GPS USER INSTRUCTIONS

GPS SPEED

The speed readings displayed on your remote indicate speed over the bottom or “speed over ground” and do not reflect the actual speed of your boat through the water. Water speeds are affected by wind, tides, current, wave action and many other variables.

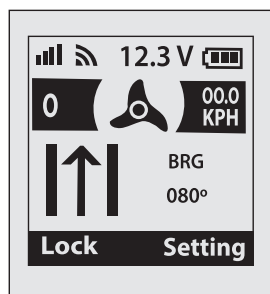
COURSE MODE

(the “true” course bearing as it would appear on a marine chart.)

Screen function area displays:

Course mode icon, course bearing from boat.

- Choose between heading and course by selecting settings section under red Key 3, then fix menu.
- You can use the grey L or R keys to readjust heading or course. A new heading direction or course will appear in the remote screen.
- To quit Pilot mode, simply press the Pilot mode key again.
- Foot pedal controls also operate in Pilot mode.



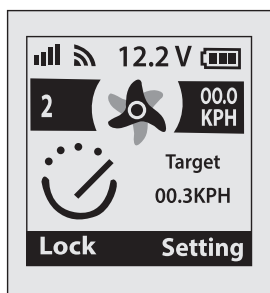
CRUISE CONTROL

Press the cruise key 12 to enter or exit this mode. In this mode, the motor will run at a selected “speed over ground”, ie, GPS speed in relation to the bottom – not the speed in relation to current, wind, tide or other effects on the boat as it travels on the water. Screen Function area displays: current target speed.

To adjust speed in cruise mode, depress grey Speed Up or Speed down keys (Keys 7 and 11).

Speed over ground will increase or decrease by 0.2kmh for every keystroke.

Note: Cruise function cannot be started when propeller is not turning. Cruise function can be operated simultaneously with Navigate mode or Course/Heading mode.



GPS USER INSTRUCTIONS

TRACK RECORDING

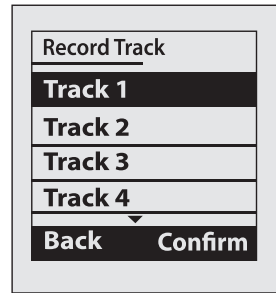
Your Watersnake GPS can record 16 Tracks, each up to 5km long.

To record a track, press Key 14. Select Track number and Confirm Function displays: Distance recorded below Record symbol Menu display: Select Exit to abort route recording; select Finish to save the current recorded route. Remote will ask you to assign a number from 1-16 to your saved track. To delete an existing track, assign new saved track to that number; ie, overwrite to delete. Track is recorded but speed is not saved. Status light is BLUE.

NOTE: You may record a track while your Watersnake GPS is simultaneously in Cruise Mode.

NOTE: You may record a track while your Watersnake GPS is simultaneously in Cruise Mode (Key 12) and Heading/Course Mode.

NOTE: Anchor Mode and Track Record cannot operate simultaneously.



GPS USER INSTRUCTIONS

NAVIGATE MODE

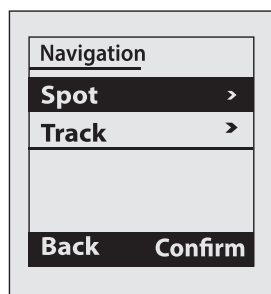
When entering or resuming Navigate Mode, ensure that no hazard such as shallows, snags or rocks lie in a direct path between your vessel and the Spot or Track it is navigating to. If there is a bridge or a waterway surrounded by high buildings between your vessel and the Spot or Track, your Watersnake GPS also may lose satellite signal and fail to proceed on its navigated course. Maintain a safe speed and keep a proper lookout at all times when in Navigate Mode.

Navigate mode enables the user to precisely follow a saved track, turn by turn, up to 5km long. It is particularly helpful for trollers, who can use Navigate in conjunction with Cruise mode to get perfect lure speed. Lure casters might prefer to use Navigate to work a saved track along a shoreline, adjusting speed manually as they work specific areas before moving on.

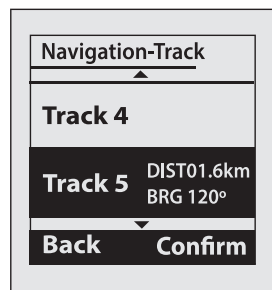
Select Navigate mode, Key 6, to enable your Watersnake GPS motor to navigate back to a saved Spot or Track within 1km away.



- To navigate back to a saved Spot, press Key 6 to enter Navigate mode, then use Menu keys to select the saved Spot number (within 1km away), press Confirm. Select speed, apply power and your Watersnake GPS will navigate back to that spot. Once reached, it will enter Anchor mode. Function screen displays Spot #, Distance to, Bearing to. Menu screen displays: Back, Confirm.



- To navigate back to a saved Track and then follow it, press Key 6 to enter Navigate mode. Then use Menu keys to select Track number, press Confirm, select which way along your chosen track to proceed (start/end), and your Watersnake GPS will navigate back to the start/end of that track. Once the track end is reached, motor will enter Anchor mode. You can also select other end modes in the Settings menu.



Function screen displays; Spot #, Distance to, Bearing to Menu screen displays: Back, Confirm

NOTE: You may navigate to or along a track or to a spot while your Watersnake GPS is in Cruise Mode.

GPS USER INSTRUCTIONS

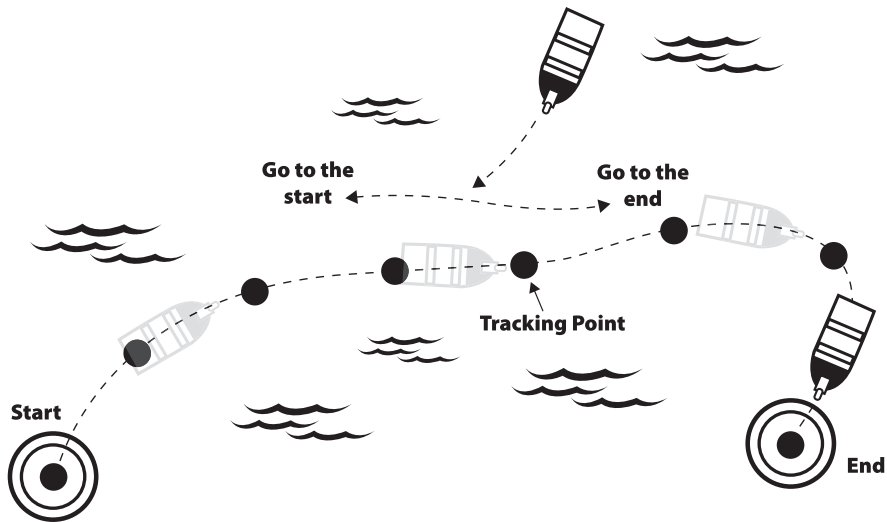
NAVIGATE MODE (CONTINUED)

Your Watersnake GPS will follow a recorded Track from either end by reversing Track Start. Remote screen function area will display length of Track remaining. Each of the 16 savable tracks can be up to 5km long.

NOTE: You may halt progress along your selected track at any time by ceasing to apply power. You may break away from your selected track by pressing the Navigate key again to quit navigate Mode and then enter Manual Mode or Anchor Mode, eg, to fight and land a fish.

To rejoin your track, press Navigate again, select your track number, Confirm, apply power and your Watersnake GPS will take you back to the closest point on your track and then resume navigation.

Again, ensure no hazard lies in a direct path between your vessel and the Track you intend to resume. Maintain a safe speed and keep a proper lookout at all times.



MAINTENANCE

AFTER INITIAL USE

Hulls may flex during operation in rough water and mounting nuts and bolts may take time to “bed in” to secure positions.

- Check your remote control is turned off.
- Disconnect motor from battery.
- If a nylon quick release bracket is fitted, remove locking U-wire on quick-release plate and lift off entire motor.
- For an alloy quick release plate: Remove base mount assembly side plates, check tension of nuts and bolts fastening upper plate to base mount assembly and lower plate to your boat’s foredeck or gunwale. Retighten if necessary.
- For permanent mount: Remove base mount assembly side plates, check tension of nuts and bolts fastening base mount to boat’s foredeck. Retighten if necessary.

AFTER EVERY USE

- Check your remote control is turned off.
- Disconnect motor from battery.
- Recharge battery as soon as possible.
- Rinse your Watersnake motor with a light spray of fresh water, even after freshwater use. Concentrate on areas where salt, dirt and weed fragments are likely to lodge – propeller, motor housing, composite shaft, turnbox, depth collar and exposed parts of deck mount assembly.
- Wipe these areas with a cloth soaked in warm soapy water and allow to dry.
- Apply a light coating of a non-staining silicone, petroleum-based or lanolin spray to protect and lubricate exposed parts. Wipe over with a soft, dry cloth.
- Store your Watersnake motor disconnected from its battery.
- Lightly wipe over remote control with a soft, damp cloth, paying particular attention to screen and keypad. Allow to dry and store where you’ll remember it for next time.
- Lightly wipe over foot pedal with a soft, damp cloth.
- If boat is stored outdoors, remove Watersnake and store securely indoors in a cool, dry place.
- If Watersnake is permanently mounted to the boat outdoors, consider protecting it from harsh sunlight and the elements with a tarpaulin or other cover.

MAINTENANCE

PERIODICALLY DURING THE SEASON

- Disconnect motor from battery. Inspect battery terminals and cables for signs of corrosion. Remove buildup with a small wire brush and treat with anti-corrosion spray.
- Apply a silicone, lanolin or carnauba wax coating to the composite shaft to ensure free running through the turnbox.
- Remove left and right side covers from the deck mount assembly with Phillips head screwdriver and remove any dirt, salt, mud or debris inside. Gently rinse with fresh water, allow to dry and apply marine grease to all friction points, such as the stow and deploy mechanism.
- Check for any loose screws/bolts, fasteners in deck mount assembly and upper quick release plate. Retighten as required.
- Remove motor from bottom quick-release plate and check tightness of bolts against foredeck/gunwale of your boat. Retighten as required.
- Check condition of Remote batteries for corrosion or leakage. Replace if suspect.

END OF SEASON, LONG-TERM STORAGE

- Disconnect motor from battery.
- Inspect battery terminals and cables for signs of corrosion. Remove buildup with a wire brush and treat with anti-corrosion spray.
- Disconnect pedal control.
- Remove batteries from Remote control.
- Remove motor from boat and store in a cool, dry place away from temperature extremes. Cover your Watersnake GPS motor to prevent dust and dirt buildup.

TROUBLE SHOOTING

A significant number of issues can be caused by a disruption of power supplied to your Watersnake motor. Careful inspection of your 12v deep cycle battery, wiring and set up should be completed before assuming that there is a fault with your motor.

NO POWER / REDUCED POWER

NOTE – Your Watersnake motor is fitted with a tilt switch that prevents the motor from running unless it is in the deployed (vertical) position.

- Check that battery connection has not been reversed (reversed polarity)
- Check that your 12v deep cycle battery is fully charged (+ 12v)
- Check terminals / connections are secure and not loose
- Check terminals / connections for any signs of damage, corrosion or build up of debris
- If battery lead has been extended, ensure correct gauge wire has been used (refer to table on page 15 of manual)
- Remove propeller and check for any build up of fishing line / weed or any other debris
- Check that propeller pin (shear pin) is in place
- Armature or magnet cracked or dislodged – grinding noise will come from motor (CONTACT REPAIR AGENT)

NOISE OR VIBRATION COMING FROM MOTOR

Check that propeller is securely tightened and shear pin is in place
Remove propeller and check for any build up of fishing line / weed or any other debris

- Check that your 12v deep cycle battery is fully charged (+ 12v)

MOTOR WILL NOT RUN AT VARIABLE SPEEDS

- Check that your 12v deep cycle battery is fully charged (+ 12v)
- Check terminals / connections are secure and not loose
- Check terminals / connections for any signs of damage, corrosion or build up of debris
- Ensure motor is on and remote battery has charge.

TROUBLE SHOOTING

MOTOR HAS DIFFICULTY STEERING

- Check if coiled power lead from base to motor head is tangled/knotted around shaft. Stop, select Manual Mode and unravel or raise shaft from turnbox collar and manually rotate to disentangle.

MOTOR WILL NOT STAY IN ANCHOR MODE

- Check Remote display for GPS signal – top left 4 bars for signal quality. Restart Base Assembly and Remote to establish connectivity and satellite reception.
- Check pairing of Remote and Base Assembly. With power on Remote and Base, press Pairing button on Base housing and await “shave and a haircut” pairing signal.
- Check Anchor mode is engaged.
- Check Anchor spot is within 1km of current position (distance should appear on Remote display).
- Check battery has sufficient power (voltage appears on top line of Remote display).
- Check coiled upper power lead for tangling.
- Check in Remote/Menu/Settings/Boat size that it conforms with your craft.
- Check current, wind, tide conditions are within operational parameters of motor. Motor is unable to hold position if wind/water conditions produce boat drift exceeding potential top speed of motor, eg, around 6kmh..

DIFFICULTY DEPLOYING OR STOWING

- Ensure you follow correct deploy/stow process (refer Stow and Deploy section in this manual. Pages 13 and 14).
- Check for obstructions within the mounting assembly.
- Lubricate shaft with spray lubricant. Concentrate spray on area where shaft runs through turnbox.
- Clean any debris from the mounting bracket.
- Remove the side covers from the mounting bracket and apply marine grease to moving parts of the stow/deploy mechanism

TROUBLE SHOOTING

REMOTE CONTROL

- Blank remote screen – not operational – 3 x AAA batteries may need replacement. Phillips head screwdriver required.
- Screen message “No Connection” –
 - x Check Base Unit has powered up and status light shows GREEN
 - x Try restarting base assembly processor and Remote control by powering off and restarting each.
 - x Check pairing of remote with base unit by pressing left “Pairing” button on base when remote is on. “Shave-and-a-haircut” peeps indicate pairing established.

ERROR MESSAGES

If an error message is displayed on the Remote Control FOB unit, an error has occurred with the motor control system. Please note the contents of the error message and/or photograph the FOB display message and contact Watersnake Service via the website contact centre (<https://www.jarviswalker.com.au/contact>) to receive more detailed instructions on how the problem can be resolved.

OPTIONAL FOOT CONTROL

- Check that remote is selected for manual mode
- Check that foot control cable plug is firmly connected and locked in.
- Check for debris that may affect operation of pedal controls and cable connections.
- Check speed control dial is not set to zero
- Restart base unit and recheck.

SERVICING

SERVICING YOUR WATERSNAKE ELECTRIC MOTOR

When it's time for your Watersnake electric motor to be serviced, it is recommended you choose to use an Authorised Service Agent such as Anglers' Central Service Centre to perform the service.

For Australian residents, you can find a complete list of Authorised Service agents on our web site. Visit: www.jarviswalker.com.au/parts-service alternatively you can scan the QR code.



Outside Australia, please contact your local distributor as listed on the back page of this booklet.

Watersnake electric motors are precision instruments that rely on exacting alignment of numerous components; it is worth considering taking your electric motor to an Authorised Service Agent for servicing.

IMPORTANT!

If you choose to service the electric motor yourself or through any other third party not authorised by Watersnake Distribution Pty Ltd to service Watersnake motors, the motor will no longer be covered under the normal consumer guarantees. Items or issues from that time on and thereafter will be the sole responsibility of the owner. It is important to make sure you use good quality grease, and remember do not over lubricate. Small amounts of grease in the correct places are more important.

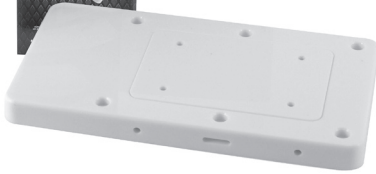
SPARE PARTS

WATERSNAKE MOTOR ACCESSORIES SOLD SEPARATELY

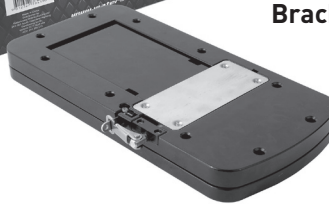
To order your Watersnake Geo-Spot accessories, visit:
www.anglerscentral.com.au



**Nylon
Quick Release
Bracket 55502**



**Alloy
Quick Release
Bracket 55016**



**Geo-Spot
Foot Control 55532**



**3 Blade Prop
55130**

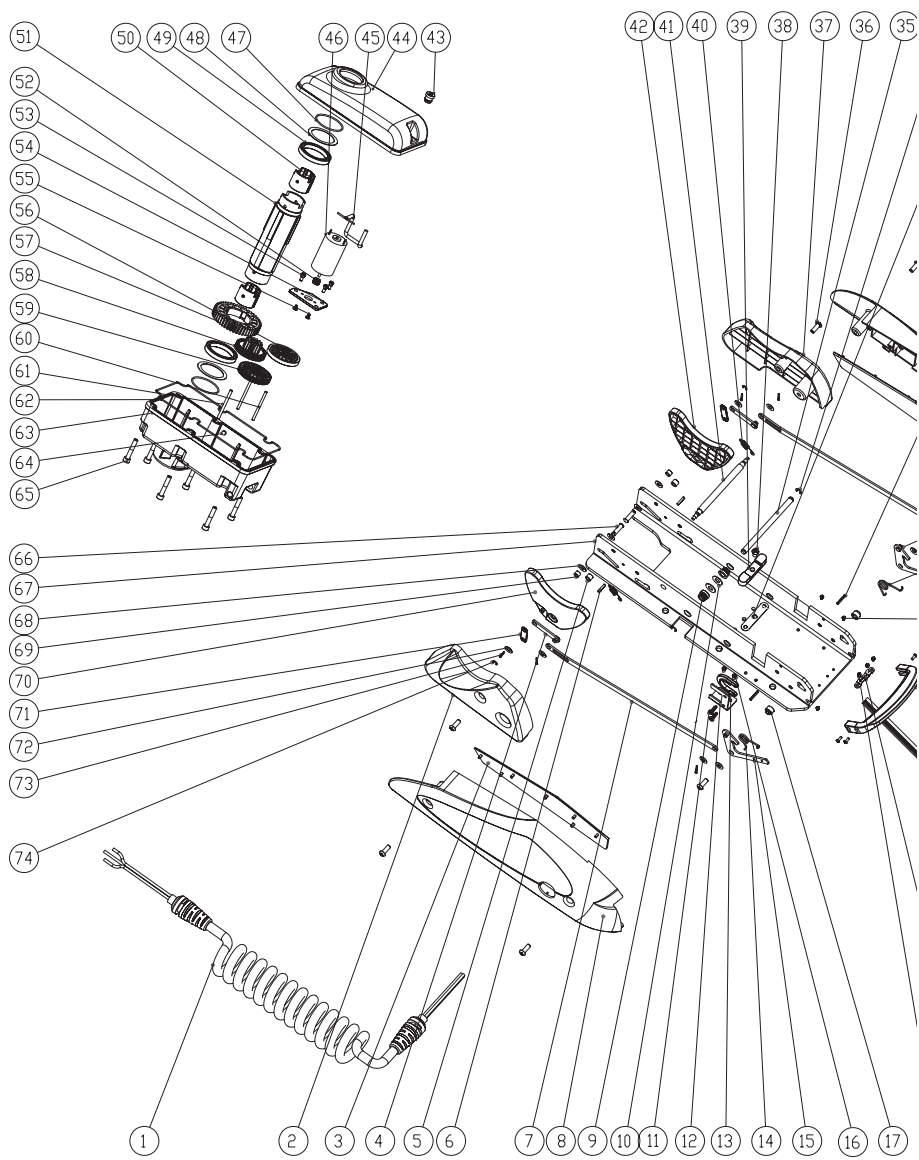


**Propeller
Accessory Kit
55132**

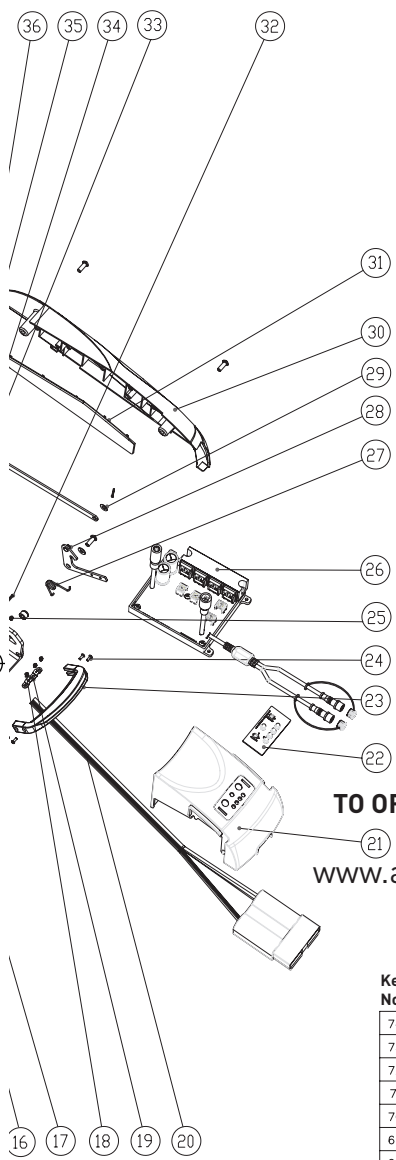


GPS Navigation Sensor 55533

www.watersnake.com.au



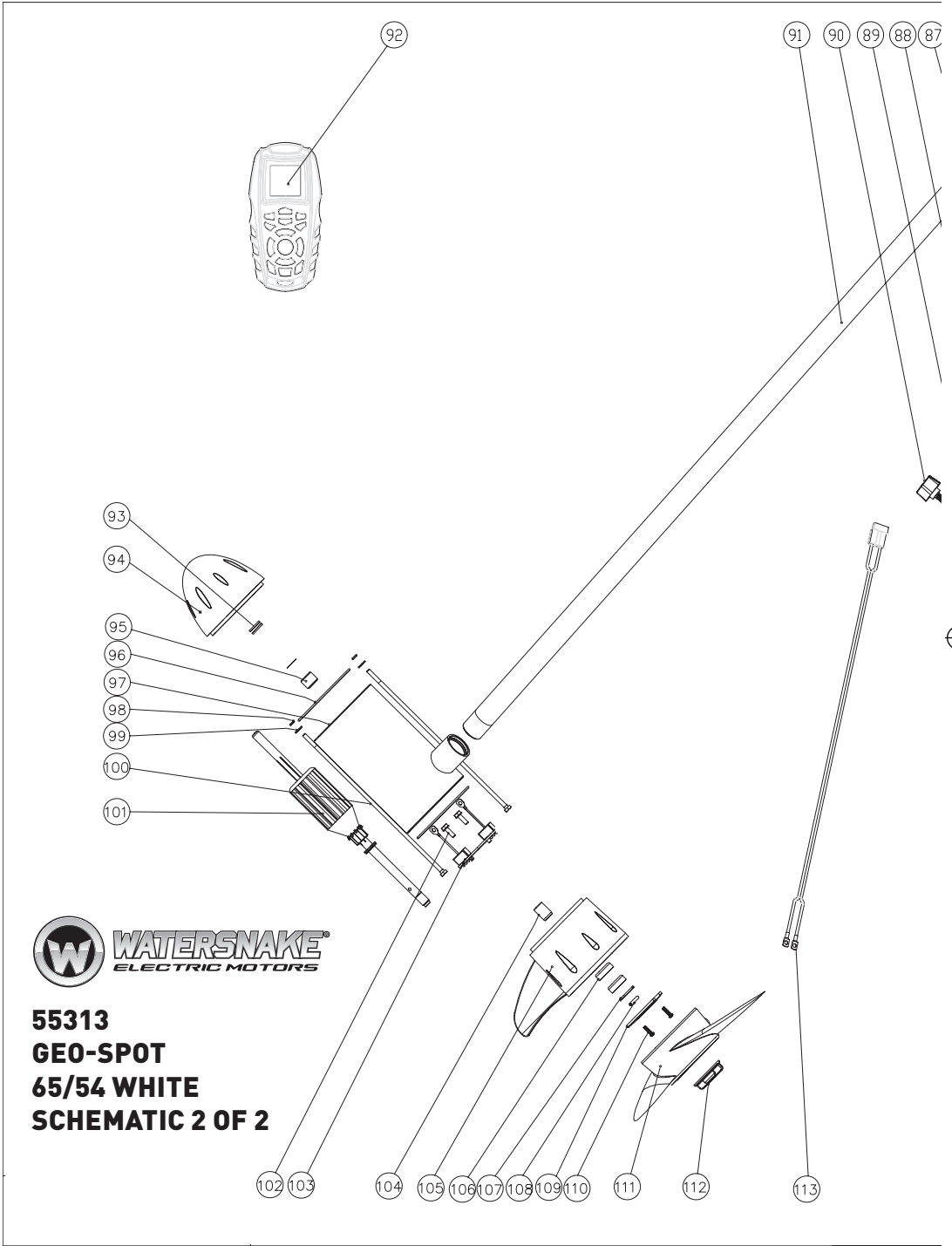
55313 GEO-SPOT 65/54 WHITE SCHEMATIC 1 OF 2

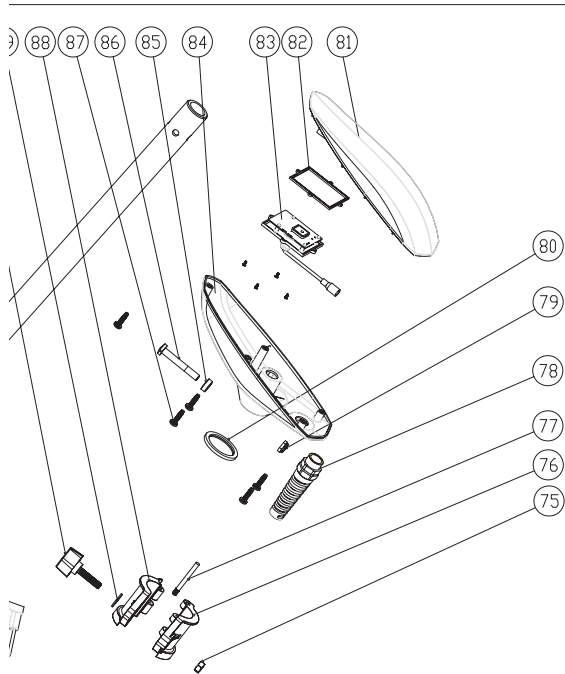


**TO ORDER YOUR WATERSNAKE
GEO SPOT PARTS, VISIT:
www.anglerscentral.com.au**

Key No.	Part Number	Part Name	Q'TY
74	HP8.245.078.00	C-retaining ring	4
73	HP8.264.569.00	split pin	6
72	HP8.940.056.00	run gear washer	2
71	HP8.350.002.45	push rod	2
70	HP6.154.014.00	right portable plate assy	1
69	HP8.220.396.00	bushing	2
68	HP8.940.091.00	rocker arm sleeve washer	6
67	HP8.601.075.27	bottom plate	1
66	HP8.264.417.00	secondary pin	2
65	HP8.902.207.00	bolt	6
64	HP8.530.046.06	alnico	1
63	HP8.010.063.158	bottom cover of turning box	1
62	HP8.683.098.00	sealing ring	1
61	HP8.264.413.45	pin	1
60	HP8.264.412.45	pin	2
59	HP8.415.191.00	gear	1
58	HP8.415.192.00	gear	1
57	HP8.415.193.00	gear	1
56	HP6.371.016.00	gear	1
55	HP8.902.025.00	bolt	2
54	HP8.610.119.24	locking plate	1
53	HP8.904.072.45	bolt	3
52	HP8.415.190.00	small gear	1
51	HP8.210.449.27	bushing	1
50	HP8.210.450.00	bushing	2
49	HP6.263.067.02	bearing 40X52X7	2
48	HP8.940.746.00	wear-resisting piece	2
47	HP8.662.082.00	sealing ring	2
46	HP7.274.005.00	motor	1
45	HP6.647.201.000	two core wire assy	1
44	HP8.010.062.158	top cover of turning box	1
43	HP8.210.332.00	wire protecting sleeve	1
42	HP6.154.013.00	left portable plate assy	1
41	HP8.306.071.00	axiss	1
40	HP8.381.033.00	tension spring	2
39	HP8.683.041.00	elastic spacer	1
38	HP8.902.384.45	bolt	1
37	HP8.634.074.70	front left side cover	1
36	HP8.902.196.00	bolt	8
35	HP8.303.025.45	rotation axis	1
34	HP8.245.079.00	C-retaining ring	2
33	HP8.941.178.00	gasket	1
32	HP8.264.162.00	split pin	2
31	HP8.634.083.70	left plate	1
30	HP8.634.114.8000	left side plate	1
29	HP6.154.008.00	left crank assy	1
28	HP8.940.081.00	washer	2
27	HP8.383.128.00	right-handed torsion spring	1
26	HP6.702.091.000	drive controller	1
25	HP8.902.024.00	screw	3
24	HP8.902.201.45	bolt M3X8	4
23	HP8.335.001.00	footplate	1
22	HP6.672.113.000	display assy	1
21	HP8.010.105.070	front cover	1
20	HP6.647.252.000	main battery cable	1
19	HP8.610.193.00	press plate	1
18	HP8.902.017.00	screw	3
17	HP8.210.336.00	crank shaft sleeve	2
16	HP8.902.256.00	screw	2
15	HP6.154.009.00	right crank assy	1
14	HP8.383.127.00	left-handed torsion spring	1
13	HP8.667.036.70	fixation clamp	1
12	HP8.611.133.00	fixed mount	1
11	HP8.903.059.00	screw	2
10	HP8.940.375.00	gear axis washer	2
9	HP8.210.484.00	nesting	2
8	HP8.634.115.8000	right side plate	1
7	HP8.350.013.45	drag link	2
6	HP8.264.160.00	split pin	2
5	HP8.220.292.00	locating sleeve	2
4	HP6.201.027.00	secondary lever assy	2
3	HP8.634.084.70	right plate	1
2	HP8.634.075.70	front right side cover	1
1	HP6.647.204.000	wire assy	1

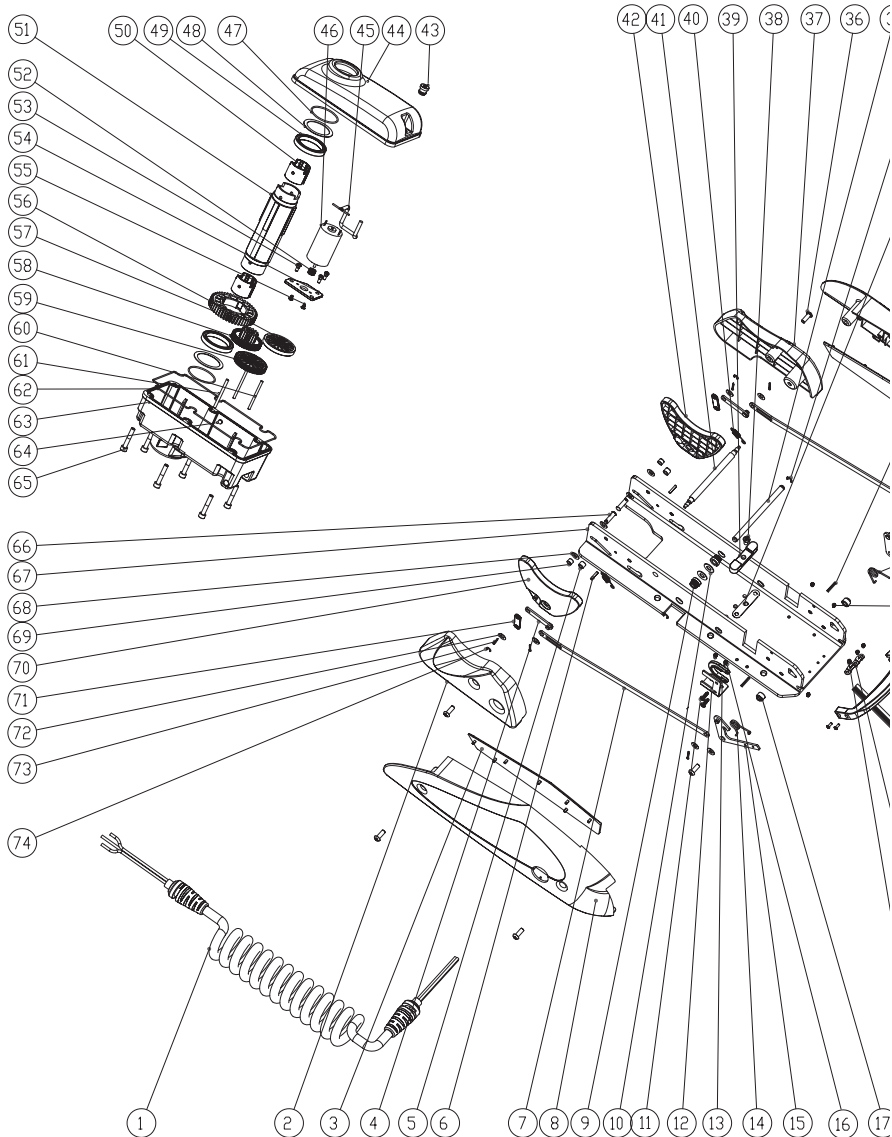




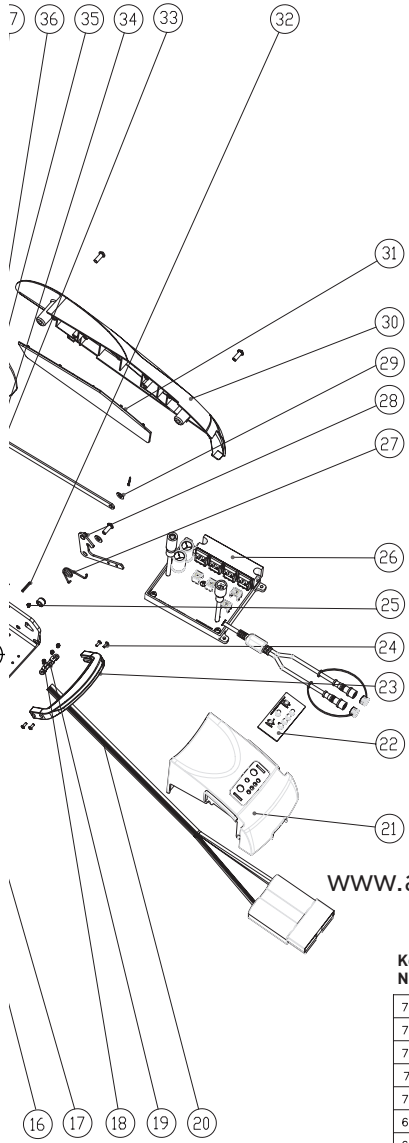


**TO ORDER YOUR WATERSNAKE
GEO SPOT PARTS, VISIT:**
www.anglerscentral.com.au

Key No.	Part Number	Part Name	QTY
113	HP6.647.172.00	main battery cable	1
112	HP6.482.001.00	prop nut	1
111	HP6.393.001.8000	prop	1
110	HP8.903.187.000	screw	2
109	HP7.690.001.00	sacrificial anode	1
108	HP8.264.157.00	pin	1
107	HP8.683.049.45	retainer ring	1
106	HP6.475.000.00	sealing ring	2
105	HP8.010.070.158	front cover	1
104	HP8.251.000.00	oil bearing	1
103	HP6.670.095.000	brush frame assy	1
102	HP8.903.060.07	bolt	2
101	HP6.656.022.00	rotor assy	1
100	HP8.926.018.00	connecting screw rod	2
99	HP8.610.049.00	hexagonal washer	2
98	HP8.662.015.00	mini O-sealing ring	2
97	HP6.652.015.02	stator assy	1
96	HP8.662.016.00	o-sealing ring	2
95	HP8.251.001.00	oil bearing	1
94	HP8.010.071.158	back cover	1
93	HP6.260.000.00	thrust bearing	1
92	HP6.789.006.003	remote controller	1
91	HP6.657.142.999	shaft	1
90	HP6.480.014.00	bolt	1
89	HP8.940.313.00	washer	1
88	HP8.242.153.00	right body of depth adjustment collar	1
87	HP8.903.059.00	screw	5
86	HP8.926.045.00	bolt	1
85	HP8.220.378.70	bushing	1
84	HP8.076.337.8000	bottom cover	1
83	HP6.702.092.000	GPS controller	1
82	HP8.683.137.000	sealing ring	1
81	HP8.076.336.8000	top cover	1
80	HP8.662.083.00	sealing ring	1
79	HP6.482.000.00	lock nut	1
78	HP8.354.019.000	cable fixing head	1
77	HP8.264.468.00	pin	1
76	HP8.242.152.00	left body of depth adjustment collar	1
75	HP8.379.073.00	nut	1
No.	DRAWING NO.	PART NAME	QTY



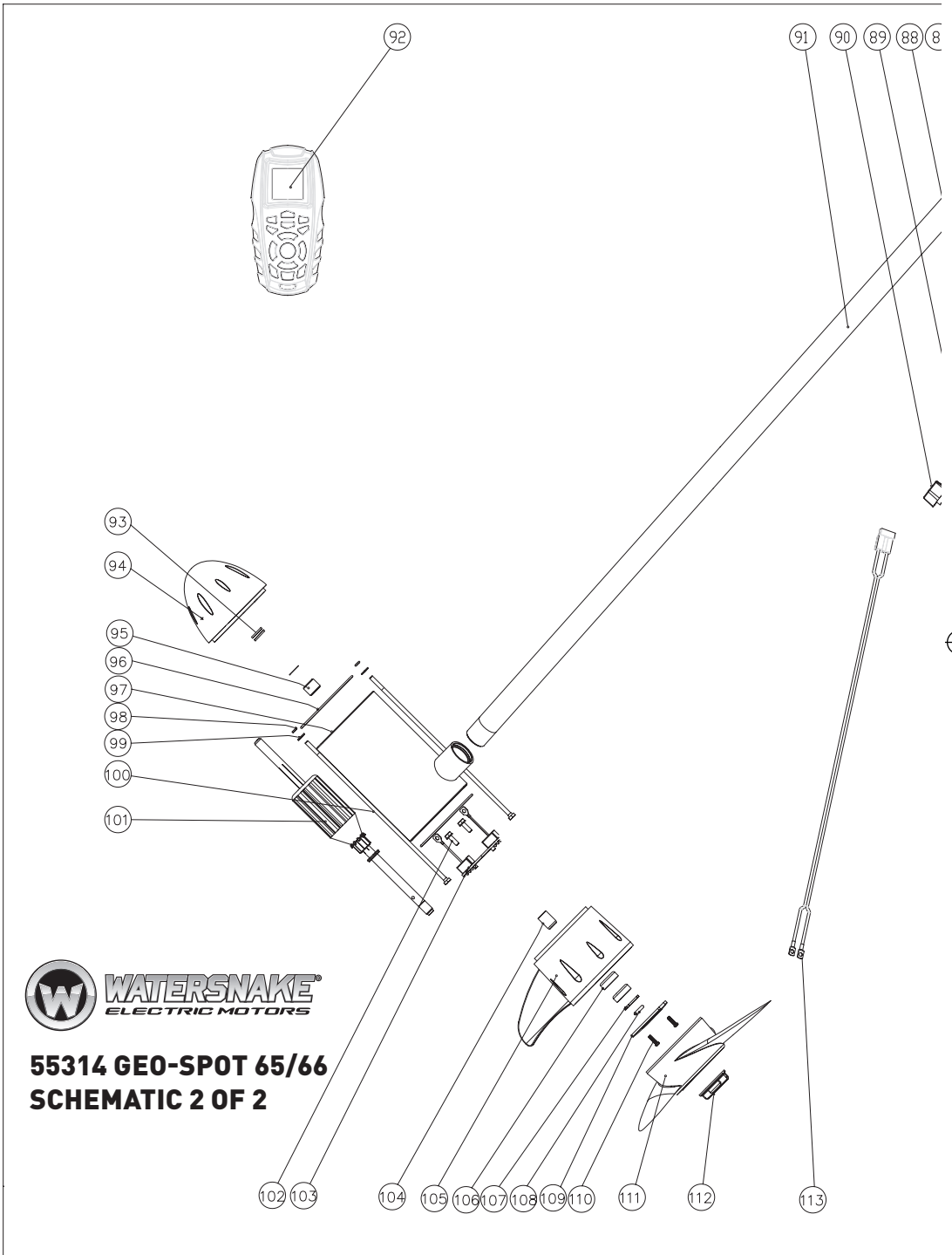
55314 GEO-SPOT 65/66 SCHEMATIC 1 OF 2

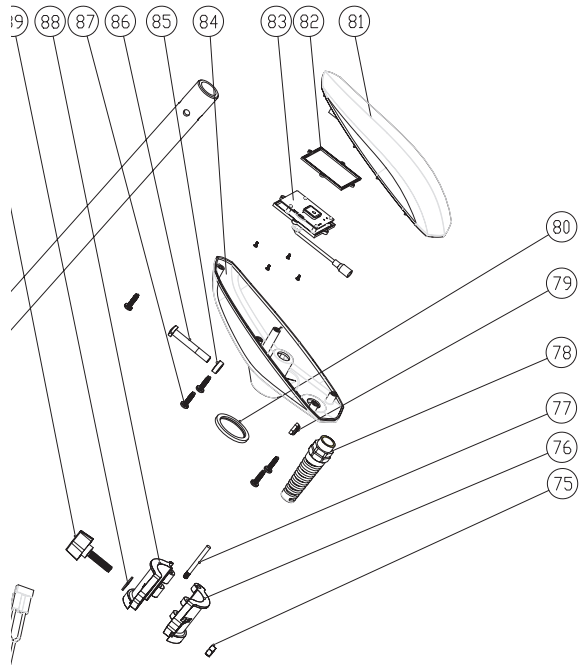


**TO ORDER
YOUR WATERSNAKE
GEO SPOT PARTS, VISIT:
www.anglerscentral.com.au**

Key Part No.	Part Number	Part Name	Q'TY
74	HP8.245.078.00	C-retaining ring	4
73	HP8.264.569.00	split pin	6
72	HP8.940.056.00	run gear washer	2
71	HP8.350.002.45	push rod	2
70	HP6.154.014.00	right portable plate assy	1
69	HP8.220.396.00	bushing	2
68	HP8.940.091.00	rocker arm sleeve washer	6
67	HP8.601.075.27	bottom plate	1
66	HP8.264.417.00	secondary pin	2
65	HP8.902.207.00	bolt	6
64	HP8.530.046.06	alnico	1
63	HP8.010.063.158	bottom cover of turning box	1
62	HP8.683.098.00	sealing ring	1
61	HP8.264.413.45	pin	1
No.	DRAWING No.	PART NAME	Q'TY
60	HP8.264.412.45	pin	2
59	HP8.415.191.00	gear	1
58	HP8.415.192.00	gear	1
57	HP8.415.193.00	gear	1
56	HP6.371.016.00	gear	1
55	HP8.902.025.00	bolt	2
54	HP8.610.119.24	locking plate	1
53	HP8.904.072.45	bolt	3
52	HP8.415.190.00	small gear	1
51	HP8.210.449.27	bushing	1
50	HP8.210.450.00	bushing	2
49	HP6.263.067.02	bearing 40X52X7	2
48	HP8.940.746.00	wear-resisting piece	2
47	HP8.662.082.00	sealing ring	2
46	HP7.274.005.00	motor	1
45	HP6.647.201.000	two core wire assy	1
44	HP8.010.062.158	top cover of turning box	1
43	HP8.210.332.00	wire protecting sleeve	1
42	HP6.154.013.00	left portable plate assy	1
41	HP8.306.071.00	axis	1
40	HP8.381.033.00	tension spring	2
39	HP8.683.041.00	elastic spacer	1
38	HP8.902.384.45	bolt	1
37	HP8.634.074.70	front left side cover	1
36	HP8.902.196.00	bolt	8
35	HP8.303.025.45	rotation axis	1
34	HP8.245.079.00	C-retaining ring	2
33	HP8.941.178.00	gasket	1
32	HP8.264.162.00	split pin	2
31	HP8.634.083.70	left plate	1
30	HP8.634.114.8000	left side plate	1
29	HP6.154.008.00	left crank assy	1
28	HP8.940.081.00	washer	2
27	HP8.383.128.00	right-handed torsion spring	1
26	HP6.702.091.000	drive controller	1
25	HP8.902.024.00	screw	3
24	HP8.902.201.45	bolt M3X8	4
23	HP8.335.001.00	footplate	1
22	HP6.672.113.000	display assy	1
21	HP8.010.105.8002	front cover	1
20	HP6.647.252.000	main battery cable	1
19	HP8.610.193.00	press plate	1
18	HP8.902.017.00	screw	3
17	HP8.210.336.00	crank shaft sleeve	2
16	HP8.902.256.00	screw	2
15	HP6.154.009.00	right crank assy	1
14	HP8.383.127.00	left-handed torsion spring	1
13	HP8.667.036.70	fixation clamp	1
12	HP8.611.133.00	fixed mount	1
11	HP8.903.059.00	screw	2
10	HP8.940.375.00	gear axis washer	2
9	HP8.210.484.00	nesting	2
8	HP8.634.115.8000	right side plate	1
7	HP8.350.013.45	drag link	2
6	HP8.264.160.00	split pin	2
5	HP8.220.292.00	locating sleeve	2
4	HP6.201.027.00	secondary lever assy	2
3	HP8.634.084.70	right plate	1
2	HP8.634.075.70	front right side cover	1
1	HP6.647.204.000	wire assy	1
No.	DRAWING No.	PART NAME	Q'TY



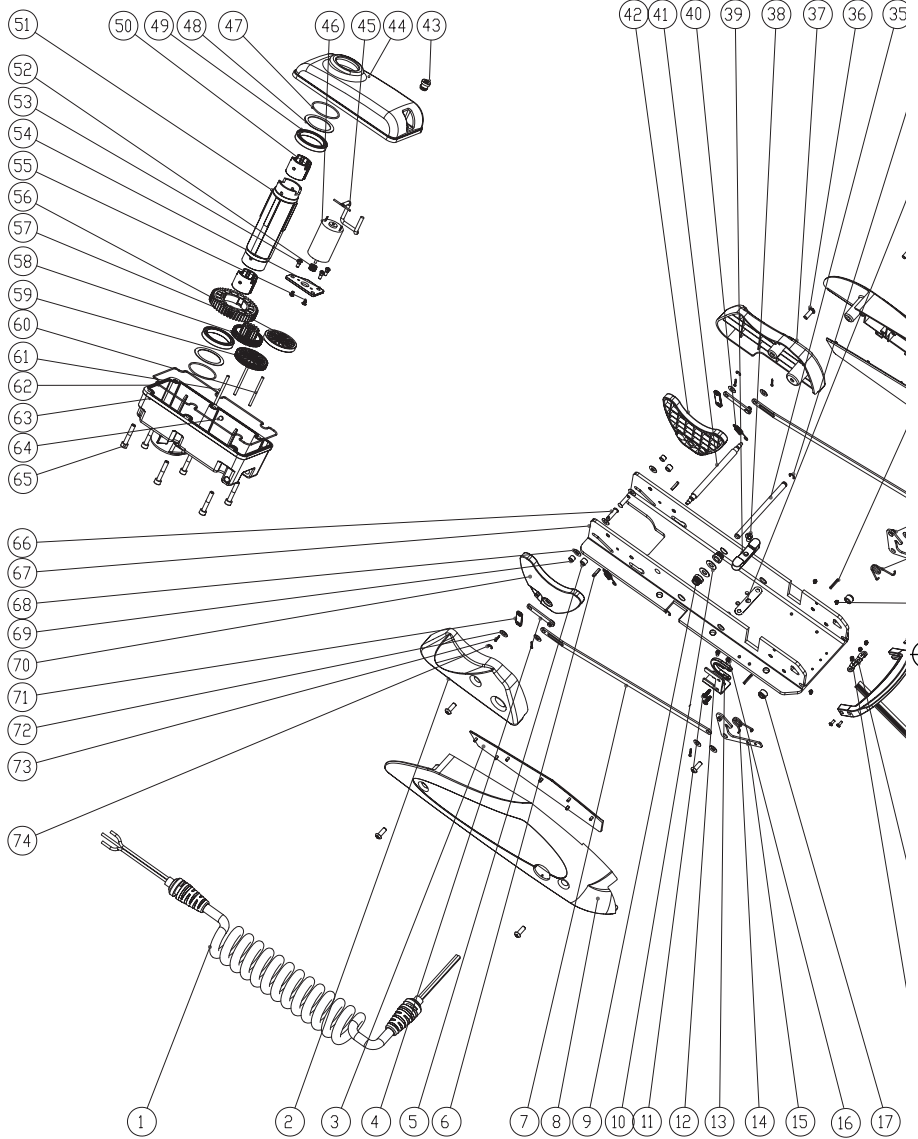




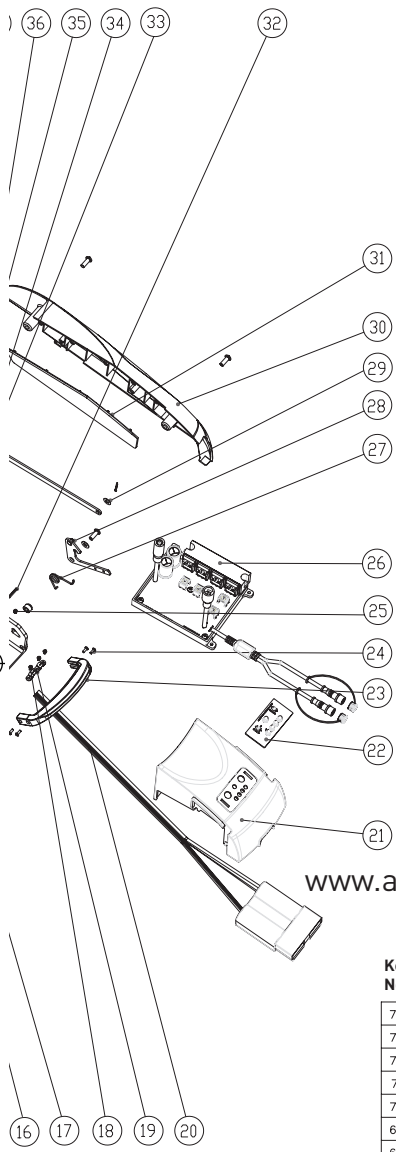
**TO ORDER YOUR WATERSNAKE
GEO SPOT PARTS, VISIT:
www.anglerscentral.com.au**

**Key Part
No. Number Part
Name**

113	HP6.647.172.00	main battery cable	1
112	HP6.482.001.00	prop nut	1
111	HP6.393.001.8000	prop	1
110	HP8.903.187.000	screw	2
109	HP7.690.001.00	sacrificial anode	1
108	HP8.264.157.00	pin	1
107	HP8.683.049.45	retainer ring	1
106	HP6.475.000.00	sealing ring	2
105	HP8.010.070.158	front cover	1
104	HP8.251.000.00	oil bearing	1
103	HP6.670.107.000	brush frame assy	1
102	HP8.903.060.07	bolt	2
101	HP6.656.022.00	rotor assy	1
100	HP8.926.018.00	connecting screw rod	2
99	HP8.610.049.00	hexagonal washer	2
98	HP8.662.015.00	mini O-sealing ring	2
97	HP6.652.015.02	stator assy	1
96	HP8.662.016.00	O-sealing ring	2
95	HP8.251.001.00	oil bearing	1
94	HP8.010.071.158	back cover	1
93	HP6.260.000.00	thrust bearing	1
92	HP6.789.006.003	remote controller	1
91	HP6.657.146.999	shaft	1
90	HP6.480.014.00	bolt	1
89	HP8.940.313.00	washer	1
88	HP8.242.153.00	right body of depth adjustment collar	1
87	HP8.903.059.00	screw	5
86	HP8.926.045.00	bolt	1
85	HP8.220.378.70	bushing	1
84	HP8.076.337.8000	bottom cover	1
83	HP6.702.092.000	GPS controller	1
82	HP8.683.137.000	sealing ring	1
81	HP8.076.336.8000	top cover	1
80	HP8.662.083.00	sealing ring	1
79	HP6.482.000.00	lock nut	1
78	HP8.354.019.000	cable fixing head	1
77	HP8.264.468.00	pin	1
76	HP8.242.152.00	left body of depth adjustment collar	1
75	HP8.379.073.00	nut	1
No.	DRAWING NO.	PART NAME	QTY



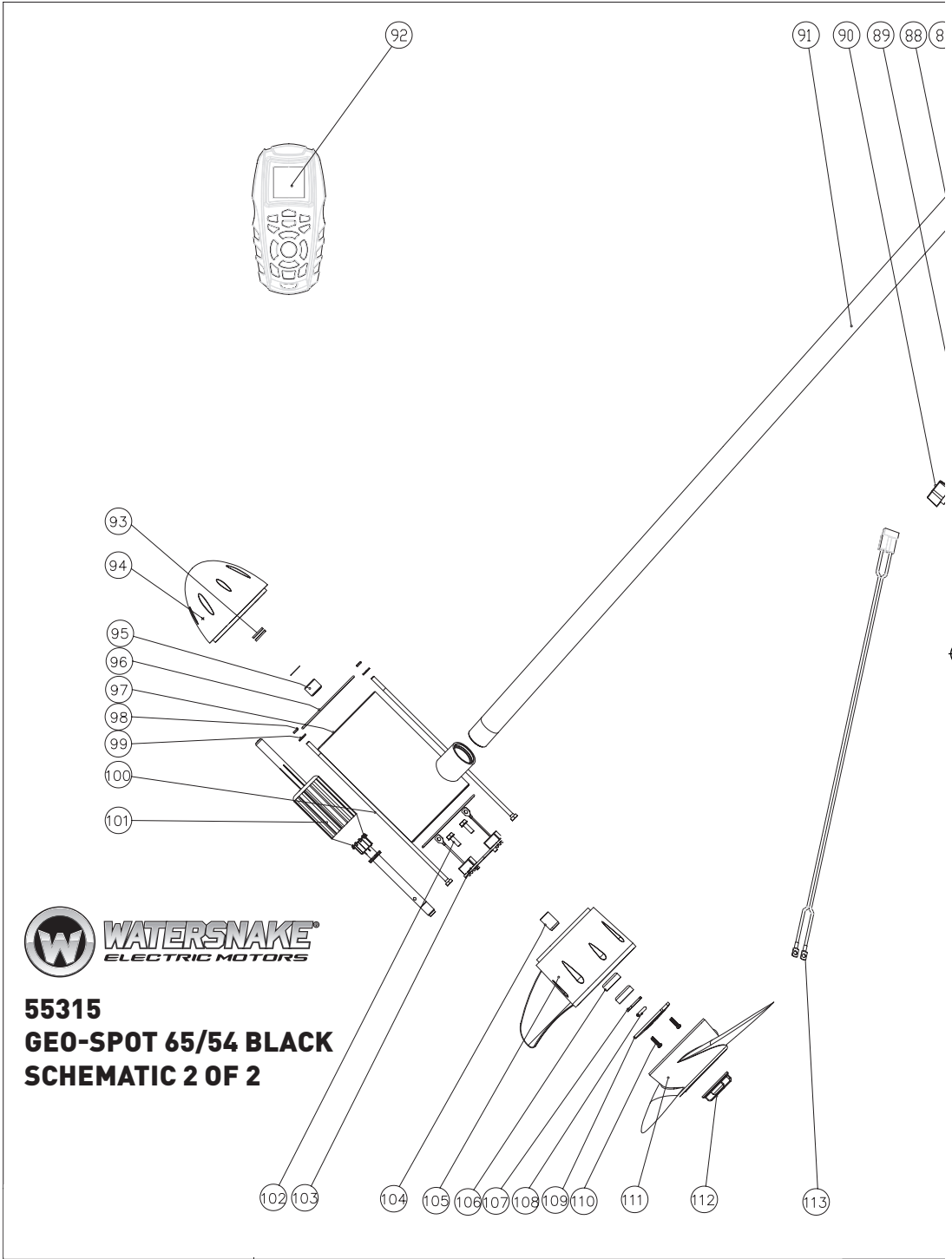
**55315 GEO-SPOT 65/54 BLACK
SCHEMATIC 1 OF 2**



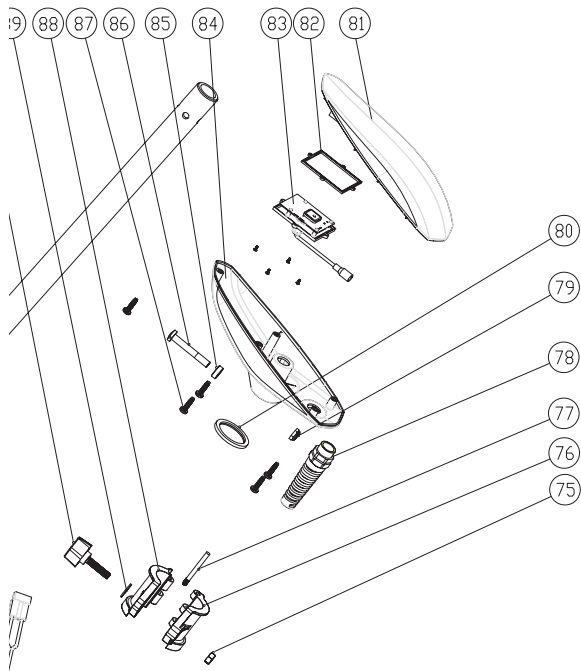
**TO ORDER
YOUR WATERSNAKE
GEO SPOT PARTS, VISIT:
www.anglerscentral.com.au**

Key No.	Part No.	Part Name	Q'TY
74	HP8.245.078.00	C-retaining ring	4
73	HP8.264.569.00	split pin	6
72	HP8.940.056.00	run gear washer	2
71	HP8.350.002.45	push rod	2
70	HP6.154.014.00	right portable plate assy	1
69	HP8.220.396.00	bushing	2
68	HP8.940.091.00	rocker arm sleeve washer	6
67	HP8.601.075.27	bottom plate	1
66	HP8.264.417.00	secondary pin	2
65	HP8.902.207.00	bolt	6
64	HP8.530.046.06	alnico	1
63	HP8.010.063.015	bottom cover of turning box	1
62	HP8.683.098.00	sealing ring	1
61	HP8.264.413.45	pin	1
No.	DRAWING No.	PART NAME	Q'TY
60	HP8.264.412.45	pin	2
59	HP8.415.191.00	gear	1
58	HP8.415.192.00	gear	1
57	HP8.415.193.00	gear	1
56	HP6.371.016.00	gear	1
55	HP8.902.025.00	bolt	2
54	HP8.610.119.24	locking plate	1
53	HP8.904.072.45	bolt	3
52	HP8.415.190.00	small gear	1
51	HP8.210.449.27	bushing	1
50	HP8.210.450.00	bushing	2
49	HP6.263.067.02	bearing 40X52X7	2
48	HP8.940.746.00	wear-resisting piece	2
47	HP8.662.082.00	sealing ring	2
46	HP7.274.005.00	motor	1
45	HP6.647.201.000	two core wire assy	1
44	HP8.010.062.015	top cover of turning box	1
43	HP8.210.332.00	wire protecting sleeve	1
42	HP6.154.013.00	left portable plate assy	1
41	HP8.306.071.00	axis	1
40	HP8.381.033.00	tension spring	2
39	HP8.683.041.00	elastic spacer	1
38	HP8.902.384.45	bolt	1
37	HP8.634.074.000	front left side cover	1
36	HP8.902.196.00	bolt	8
35	HP8.303.025.45	rotation axis	1
34	HP8.245.079.00	C-retaining ring	2
33	HP8.941.178.00	gasket	1
32	HP8.264.162.00	split pin	2
31	HP8.634.083.00	left plate	1
30	HP8.634.114.8001	left side plate	1
29	HP6.154.008.00	left crank assy	1
28	HP8.940.081.00	washer	2
27	HP8.383.128.00	right-handed torsion spring	1
26	HP6.702.091.000	drive controller	1
25	HP8.902.024.00	screw	3
24	HP8.902.201.45	bolt M3X8	4
23	HP8.335.001.00	footplate	1
22	HP6.672.113.000	display assy	1
21	HP8.010.105.8001	front cover	1
20	HP6.647.252.000	main battery cable	1
19	HP8.610.193.00	press plate	1
18	HP8.902.017.00	screw	3
17	HP8.210.336.00	crank shaft sleeve	2
16	HP8.902.256.00	screw	2
15	HP6.154.009.00	right crank assy	1
14	HP8.383.127.00	left-handed torsion spring	1
13	HP8.667.036.70	fixation clamp	1
12	HP8.611.133.00	fixed mount	1
11	HP8.903.059.00	screw	2
10	HP8.940.375.00	gear axis washer	2
9	HP8.210.484.00	nesting	2
8	HP8.634.115.8001	right side plate	1
7	HP8.350.013.45	drag link	2
6	HP8.264.160.00	split pin	2
5	HP8.220.292.00	locating sleeve	2
4	HP6.201.027.00	secondary lever assy	2
3	HP8.634.084.00	right plate	1
2	HP8.634.075.000	front right side cover	1
1	HP6.647.204.000	wire assy	1
No.	DRAWING No.	PART NAME	Q'TY



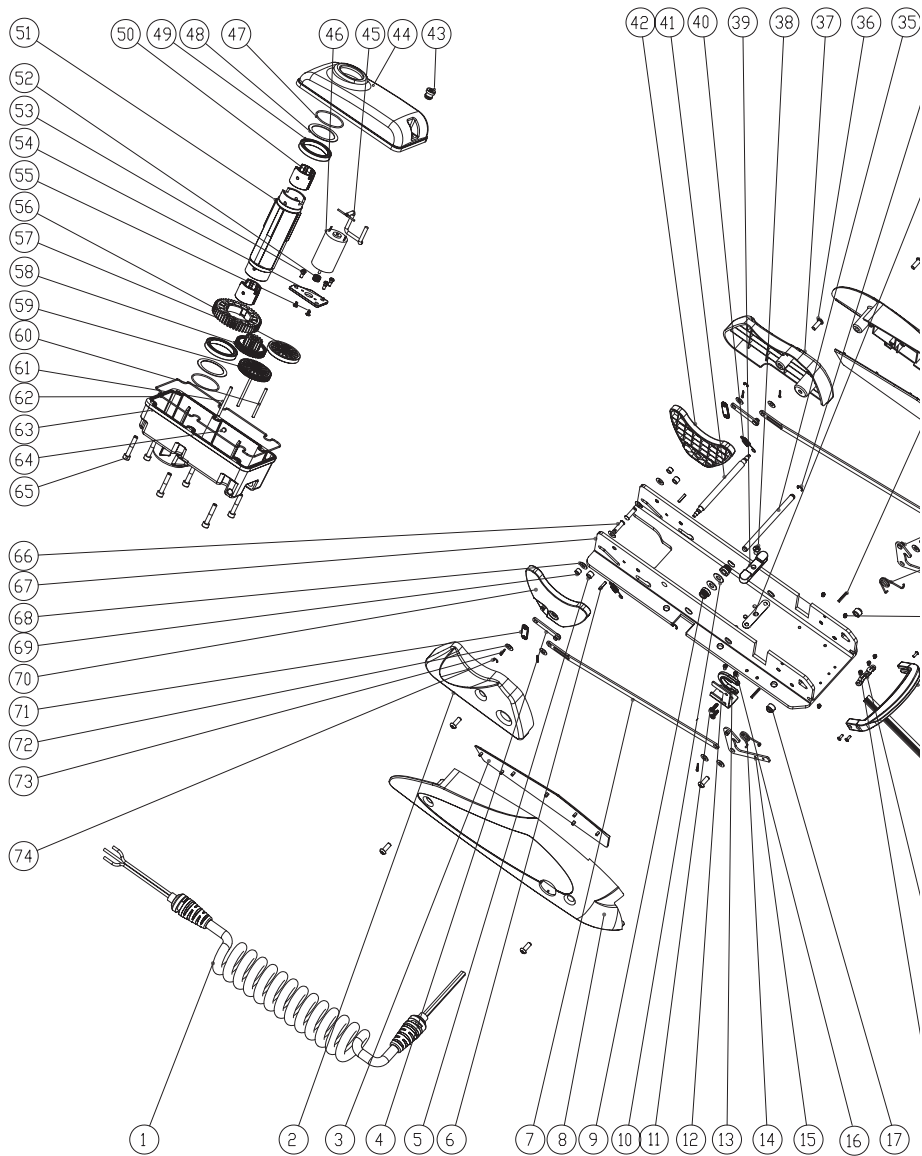


**55315
GEO-SPOT 65/54 BLACK
SCHEMATIC 2 OF 2**

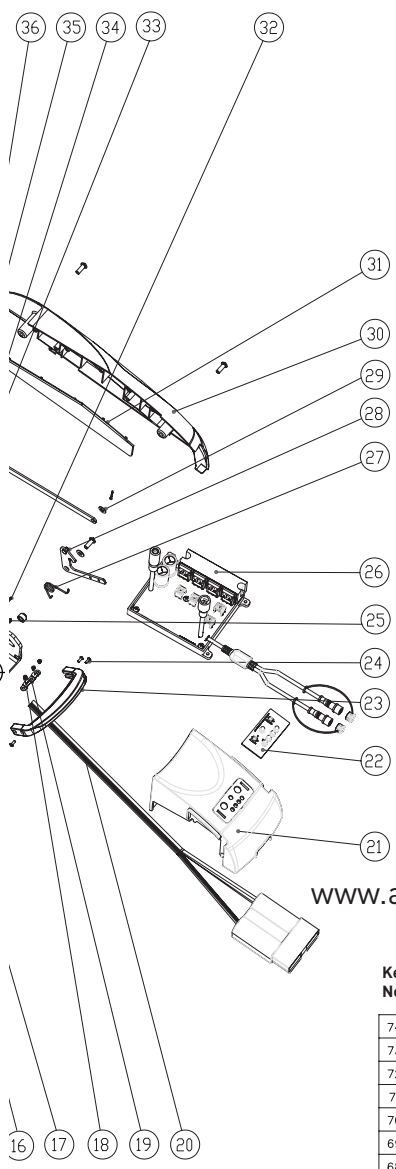


**TO ORDER YOUR WATERSNAKE
GEO SPOT PARTS, VISIT:
www.anglerscentral.com.au**

Key No.	Part Number	Part Name	QTY
113	HP6.647.172.00	main battery cable	1
112	HP6.482.001.00	prop nut	1
111	HP6.393.001.8000	prop	1
110	HP8.903.187.000	screw	2
109	HP7.690.001.00	sacrificial anode	1
108	HP8.264.157.00	pin	1
107	HP8.683.049.45	retainer ring	1
106	HP6.475.000.00	sealing ring	2
105	HP8.010.070.015	front cover	1
104	HP8.251.000.00	oil bearing	1
103	HP6.670.095.000	brush frame assy	1
102	HP8.903.060.07	bolt	2
101	HP6.656.022.00	rotor assy	1
100	HP8.926.018.00	connecting screw rod	2
99	HP8.610.049.00	hexagonal washer	2
98	HP8.662.015.00	mini O-sealing ring	2
97	HP6.652.015.00	stator assy	1
96	HP8.662.016.00	o-sealing ring	2
95	HP8.251.001.00	oil bearing	1
94	HP8.010.071.015	back cover	1
93	HP6.260.000.00	thrust bearing	1
92	HP6.789.006.003	remote controller	1
91	HP6.657.144.999	shaft	1
90	HP6.480.014.00	bolt	1
89	HP8.940.313.00	washer	1
88	HP8.242.153.00	right body of depth adjustment collar	1
87	HP8.903.059.00	screw	5
86	HP8.926.045.00	bolt	1
85	HP8.220.378.70	bushing	1
84	HP8.076.337.8001	bottom cover	1
83	HP6.702.092.000	GPS controller	1
82	HP8.683.137.000	sealing ring	1
81	HP8.076.336.8001	top cover	1
80	HP8.662.083.00	sealing ring	1
79	HP6.482.000.00	lock nut	1
78	HP8.354.019.000	cable fixing head	1
77	HP8.264.468.00	pin	1
76	HP8.242.152.00	left body of depth adjustment collar	1
75	HP8.379.073.00	nut	1
No.	DRAWING NO.	PART NAME	QTY



55316 GEO-SPOT 65/60 SCHEMATIC 1 OF 2

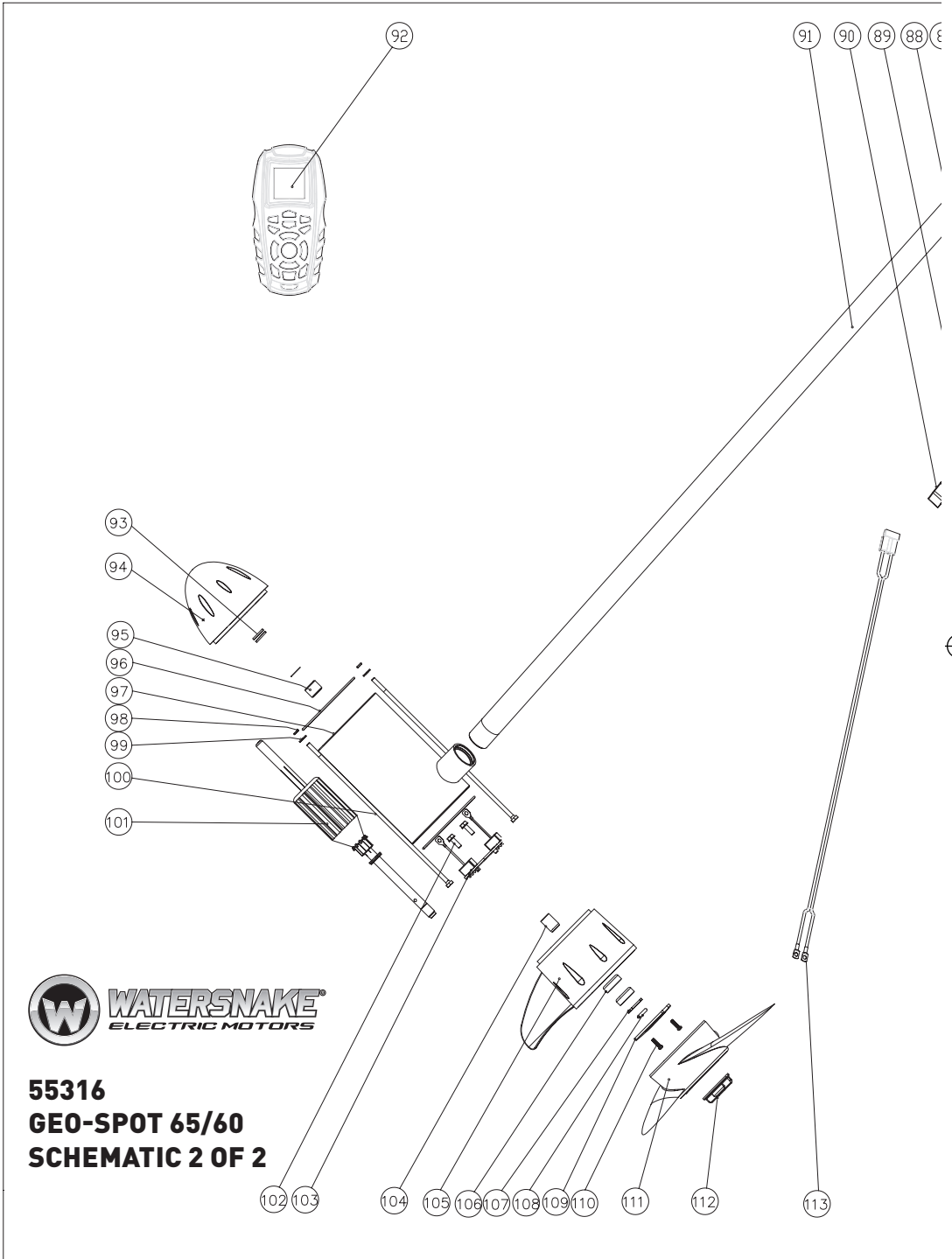


**TO ORDER
YOUR WATERSNAKE
GEO SPOT PARTS, VISIT:**
www.anglerscentral.com.au

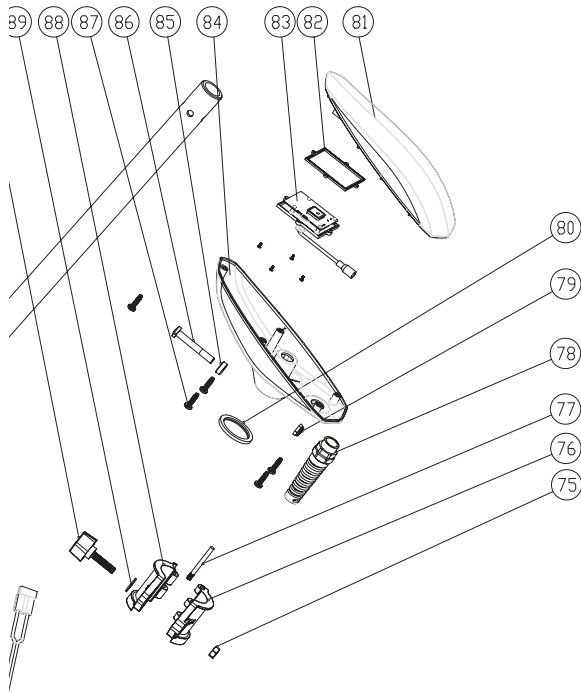
Key Part No.	Part Number	Part Name	Q'TY
74	HP8.245.078.00	C-retaining ring	4
73	HP8.264.569.00	split pin	6
72	HP8.940.056.00	run gear washer	2
71	HP8.350.002.45	push rod	2
70	HP6.154.014.00	right portable plate assy	1
69	HP8.220.396.00	bushing	2
68	HP8.940.091.00	rocker arm sleeve washer	6
67	HP8.601.075.27	bottom plate	1
66	HP8.264.417.00	secondary pin	2
65	HP8.902.207.00	bolt	6
64	HP8.530.046.06	alnico	1
63	HP8.010.063.158	bottom cover of turning box	1
62	HP8.683.098.00	sealing ring	1
61	HP8.264.413.45	pin	1
60	HP8.264.412.45	pin	2
59	HP8.415.191.00	gear	1
58	HP8.415.192.00	gear	1
57	HP8.415.193.00	gear	1
56	HP6.371.016.00	gear	1
55	HP8.902.025.00	bolt	2
54	HP8.610.119.24	locking plate	1
53	HP8.904.072.45	bolt	3
52	HP8.415.190.00	small gear	1
51	HP8.210.449.27	bushing	1
50	HP8.210.450.00	bushing	2
49	HP6.263.067.02	bearing 40X52X7	2
48	HP8.940.746.00	wear-resisting piece	2
47	HP8.662.082.00	sealing ring	2
46	HP7.274.005.00	motor	1
45	HP6.647.201.000	two core wire assy	1
44	HP8.010.062.158	top cover of turning box	1
43	HP8.210.332.00	wire protecting sleeve	1
42	HP6.154.013.00	left portable plate assy	1
41	HP8.306.071.00	axix	1
40	HP8.381.033.00	tension spring	2
39	HP8.683.041.00	elastic spacer	1
38	HP8.902.384.45	bolt	1
37	HP8.634.074.70	front left side cover	1
36	HP8.902.196.00	bolt	8
35	HP8.303.025.45	rotation axis	1
34	HP8.245.079.00	C-retaining ring	2
33	HP8.941.178.00	gasket	1
32	HP8.264.162.00	split pin	2
31	HP8.634.083.70	left plate	1
30	HP8.634.114.8000	left side plate	1
29	HP6.154.008.00	left crank assy	1
28	HP8.940.081.00	washer	2
27	HP8.383.128.00	right-handed torsion spring	1
26	HP6.702.091.000	drive controller	1
25	HP8.902.024.00	screw	3
24	HP8.902.201.45	bolt M3X8	4
23	HP8.335.001.00	footplate	1
22	HP6.672.113.000	display assy	1
21	HP8.010.105.8000	front cover	1
20	HP6.647.252.000	main battery cable	1
19	HP8.610.193.00	press plate	1
18	HP8.902.017.00	screw	3
17	HP8.210.336.00	crank shaft sleeve	2
16	HP8.902.256.00	screw	2
15	HP6.154.009.00	right crank assy	1
14	HP8.383.127.00	left-handed torsion spring	1
13	HP8.667.036.70	fixation clamp	1
12	HP8.611.133.00	fixed mount	1
11	HP8.903.059.00	screw	2
10	HP8.940.375.00	gear axis washer	2
9	HP8.210.484.00	nesting	2
8	HP8.634.115.8000	right side plate	1
7	HP8.350.013.45	drag link	2
6	HP8.264.160.00	split pin	2
5	HP8.220.292.00	locating sleeve	2
4	HP6.201.027.00	secondary lever assy	2
3	HP8.634.084.70	right plate	1
2	HP8.634.075.70	front right side cover	1
1	HP6.647.204.000	wire assy	1
No.	DRAWING No.	PART NAME	Q'TY

www.watersnake.com.au





55316
GEO-SPOT 65/60
SCHEMATIC 2 OF 2



**TO ORDER YOUR WATERSNAKE
GEO SPOT PARTS, VISIT:
www.anglerscentral.com.au**

**Key Part
No. Number Part
Name**

113	HP6.647.172.00	main battery cable	1
112	HP6.482.001.00	prop nut	1
111	HP6.393.001.8000	prop	1
110	HP8.903.187.000	screw	2
109	HP7.690.001.00	sacrificial anode	1
108	HP8.264.157.00	pin	1
107	HP8.683.049.45	retainer ring	1
106	HP6.475.000.00	sealing ring	2
105	HP8.010.070.158	front cover	1
104	HP8.251.000.00	oil bearing	1
103	HP6.670.106.000	brush frame assy	1
102	HP8.903.060.07	bolt	2
101	HP6.656.022.00	rotor assy	1
100	HP8.926.018.00	connecting screw rod	2
99	HP8.610.049.00	hexagonal washer	2
98	HP8.662.015.00	mini O-sealing ring	2
97	HP6.652.015.02	stator assy	1
96	HP8.662.016.00	o-sealing ring	2
95	HP8.251.001.00	oil bearing	1
94	HP8.010.071.158	back cover	1
93	HP6.260.000.00	thrust bearing	1
92	HP6.789.006.003	remote controller	1
91	HP6.657.145.999	shaft	1
90	HP6.480.014.00	bolt	1
89	HP8.940.313.00	washer	1
88	HP8.242.153.00	right body of depth adjustment collar	1
87	HP8.903.059.00	screw	5
86	HP8.926.045.00	bolt	1
85	HP8.220.378.70	bushing	1
84	HP8.076.337.8000	bottom cover	1
83	HP6.702.092.000	GPS controller	1
82	HP8.683.137.000	sealing ring	1
81	HP8.076.336.8000	top cover	1
80	HP8.662.083.00	sealing ring	1
79	HP6.482.000.00	lock nut	1
78	HP8.354.019.000	cable fixing head	1
77	HP8.264.468.00	pin	1
76	HP8.242.152.00	left body of depth adjustment collar	1
75	HP8.379.073.00	nut	1
No.	DRAWING NO.	PART NAME	QTY

This page is left intentionally blank.

This page is left intentionally blank.



WATERSNAKE®
ELECTRIC MOTORS

CONTACT INFORMATION

REGION/COUNTRY	DISTRIBUTOR	PHONE
Asia Pacific		
Australia	Jarvis Walker	+61 3 8787 6900
New Zealand	Brittain Wynyard	+64-9 309 0519
Africa		
South Africa	Apex Walker	+27 11 7920 611
Europe		
Italy	Europesca Sport	+39 06 6500 2449
Sweden	Wiggler AB	+0303 798 744
Germany	World Fishing Tackle	+49 0 900 123 58 13
Russia	Badger Ltd.	+7 812 321 8880

www.watersnake.com.au

Watersnake Distribution Pty. Ltd.
297-305 South Gippsland Highway
Dandenong South, Victoria 3175 Australia
ACN: 143 230 175

Watersnake® and Jarvis Marine® are registered
trademarks of Watersnake Distribution Pty. Ltd.

© Watersnake Distribution Pty. Ltd. All Rights Reserved.
Specifications are subject to change
without notice.