

GARMIN®

FORCE® KRAKEN TROLLING MOTOR QUICK RELEASE KIT INSTALLATION INSTRUCTIONS

Getting Started

WARNING

Always disconnect the trolling motor from the battery before performing service.

CAUTION

To avoid possible personal injury, always wear safety goggles, ear protection, and a dust mask when drilling, cutting, or sanding.

When the motor is mounted to the vessel using the quick release plate, you must install the handle and secure it using the included R-clip or other suitable method to prevent potential unexpected release of the plate while the motor or the vessel is in use. Failure to secure the quick release plate using the handle could result in possible personal injury or property damage.

NOTICE

When drilling or cutting, always check what is on the opposite side of the surface to avoid damaging the vessel.

Tools Needed

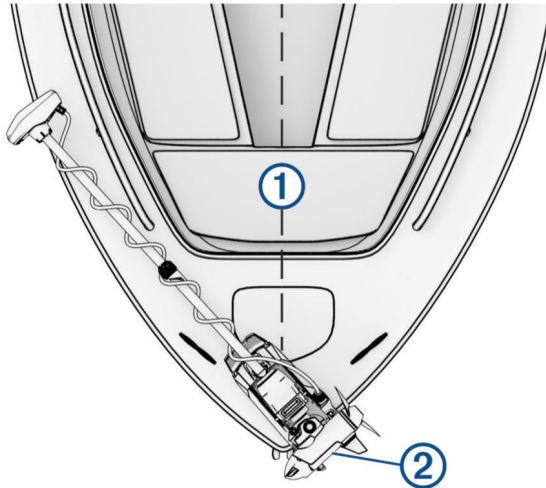
- Drill and a $1\frac{1}{32}$ in. (9 mm) drill bit
- #3 Phillips screwdriver
- #4 Phillips screwdriver
- $\frac{7}{16}$ in. (11 mm) socket
- $\frac{1}{2}$ in. (13 mm) socket
- Torque wrench
- Stainless steel countersunk $\frac{5}{16}$ -18 bolts (M8 x 1.25) (if the included bolts are not long enough to mount the bracket to the deck)
- Padlock with $\frac{1}{4}$ in. (6.35 mm) or smaller shackle (optional)

Installation Preparation

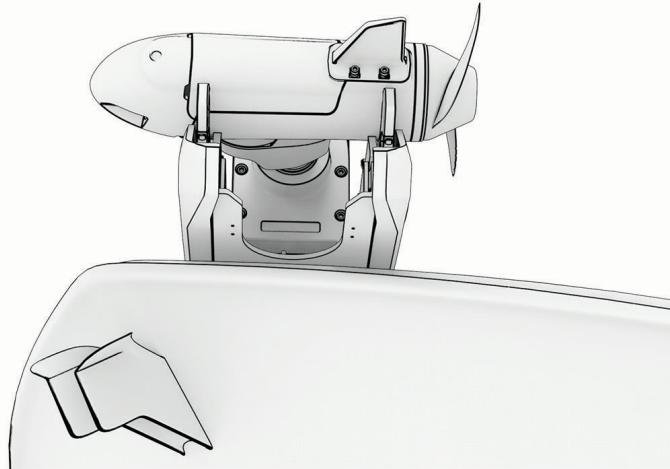
Mounting Considerations

When selecting a mounting location, observe these considerations.

- You must install the motor on the bow of your boat.
- You should install the mount so the deployed motor is as close to the center of the boat ① as possible.



- You must install the mount with the u shape ② overhanging the gunwale of the boat.



- Verify that the deck is strong enough for the weight and force of the trolling motor. Use a backing plate or reinforce the boat if needed.
- The mount secures to the deck of the boat using bolts, so you must have room to secure the mount from the underside using washers and nuts.
- The motor must have clearance to move from the deployed to the stowed position and back again, so the installation location must be clear of obstacles.
- The quick release plate can only be installed in the mount in one way. Ensure the motor will face the intended direction when the quick release plate is installed.
- Ensure the mount handle will be accessible and removable after the mount is secured.

Installation Procedures

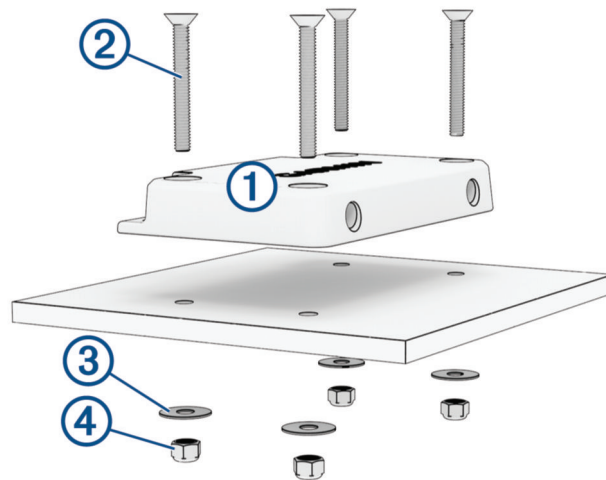
NOTICE

When assembling the motor, you must use hand tools to install all of the parts, observing the torque specifications when provided. Using power tools to assemble the motor may damage the components, and voids the warranty.

Installing the Quick Release Plate on the Deck

NOTE: If the supplied bolts are not long enough for the mounting surface, you must obtain the appropriate length $\frac{5}{16}$ -18 (M8x1.25), countersunk, stainless steel bolts.

- 1 Select a mounting location on the bow of your boat, according to the mounting considerations.
- 2 Place the included mounting template on the mounting location with the mount on the template overhanging the gunwale or the edge of the boat deck.
- 3 Mark the mounting hole locations on the boat deck.
- 4 Using a $1\frac{1}{32}$ in. (9 mm) drill bit, drill the mounting holes.
- 5 Place the quick release plate **1** on the boat deck, aligning the holes on the plate with the mounting holes.

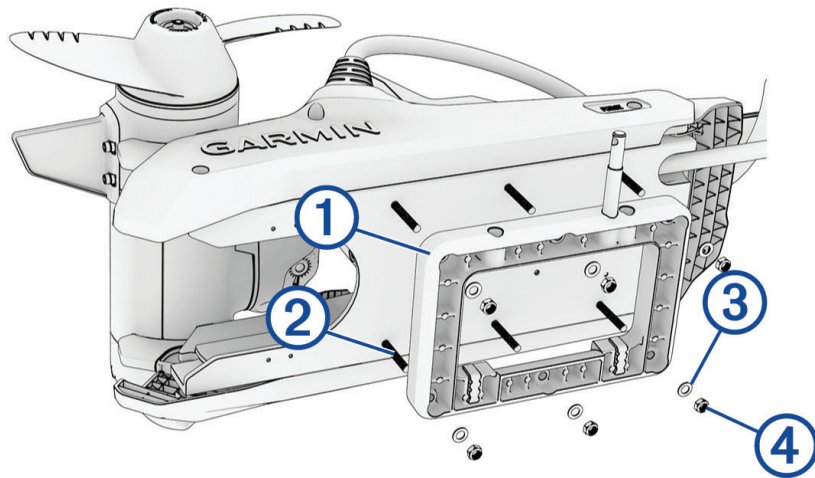


- 6 Using a # 4 Phillips screwdriver and $\frac{1}{2}$ in. socket, secure the mounting plate to the deck using the included bolts **2**, washers **3**, and nuts **4**.
- 7 Tighten the nuts to a torque of 14.9 N-m (11 lbf-ft.).

Installing the Quick Release Mount on the Motor

NOTE: Ensure the quick release mount orientation matches the orientation of the quick release plate on the deck. The plate and mount fit together only one way.

- 1 Set the motor on its side.
- 2 Using a # 3 Philips screwdriver and a $\frac{7}{16}$ in. socket, loosely attach the mount ① to the motor using the included bolts ②, washers ③, and locking nuts ④ in the two holes closest to the propeller drive motor.



- 3 On the motor, press the release lever, slide the propeller drive motor head out, and gently pivot the trolling motor into the deployed position.

⚠ CAUTION

When stowing or deploying the motor, be aware of the risk of entrapment or pinching from moving parts, which can result in injury.

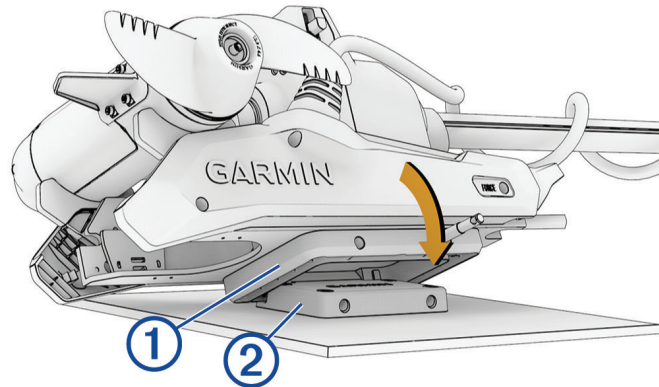
- 4 Secure the mount to the motor using the included bolts, washers, and locking nuts in the remaining holes.
- 5 Tighten all six nuts to 10.85 N-m (8 lbf-ft.).
- 6 Return the motor to the stowed position.

Installing the Motor on the Quick Release Plate

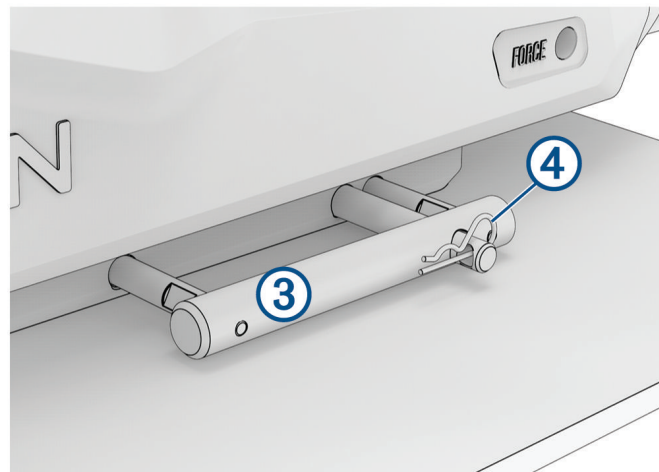
⚠ CAUTION

To avoid personal injury and damage to the boat and motor, ensure the motor is locked in the stowed position before attempting to move it.

- 1 With the motor in the stowed position, lift the motor by the shaft and the propeller drive motor.
- 2 Lower the quick release mount ① over the tab on the quick release plate ②, and lower the motor into place.



- 3 Install the handle ③ into the quick release mount.



- 4 Install the included R-pin ④ or a padlock to lock the handle in place.

Removing the Motor from the Quick Release Mount

⚠ CAUTION

To avoid personal injury and damage to the boat and motor, ensure the motor is locked in the stowed position before attempting to move it.

- 1 Disconnect the motor from power.
- 2 With the motor in the stowed position, remove the included cotter pin or padlock from the handle.
- 3 Pull up on the shaft and remove the handle.
- 4 Lift the motor off of the quick release plate.
- 5 Reinstall the handle and R-clip or padlock in the mount to prevent loss.

© 2023 Garmin Ltd. or its subsidiaries

Garmin®, the Garmin logo, and Force® are trademarks of Garmin Ltd. or its subsidiaries, registered in the USA and other countries. These trademarks may not be used without the express permission of Garmin.